



SPYDER 2024 No Reverse When Hot - 142594

Summary:

Engineering is currently investigating a reverse gear not engaging when the unit is hot

Type:

General

TST Detail:**Problem:**

Reverse Gear fails to engage when unit is hot

Solution:

Measure the position of the lever to the face of the plate in reverse position

- 1 when reverse can be engaged
- 2 when reverse cannot be engaged

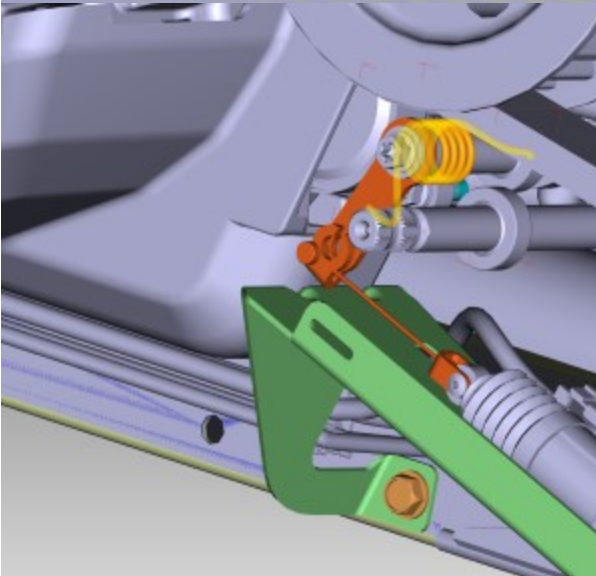
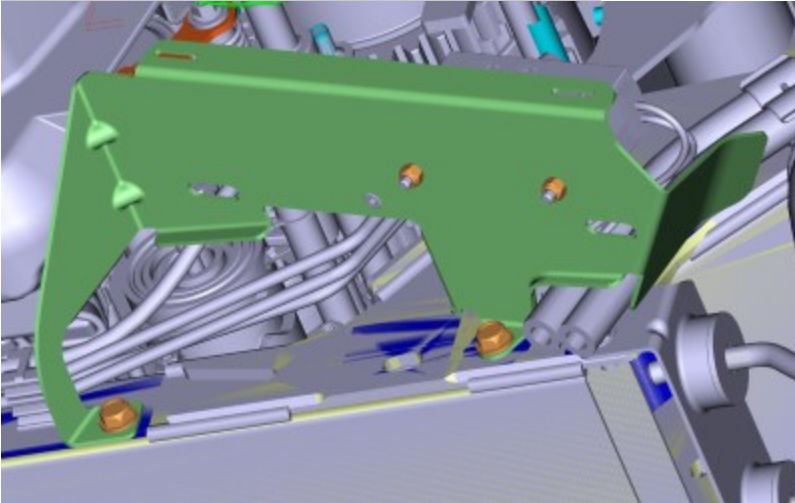
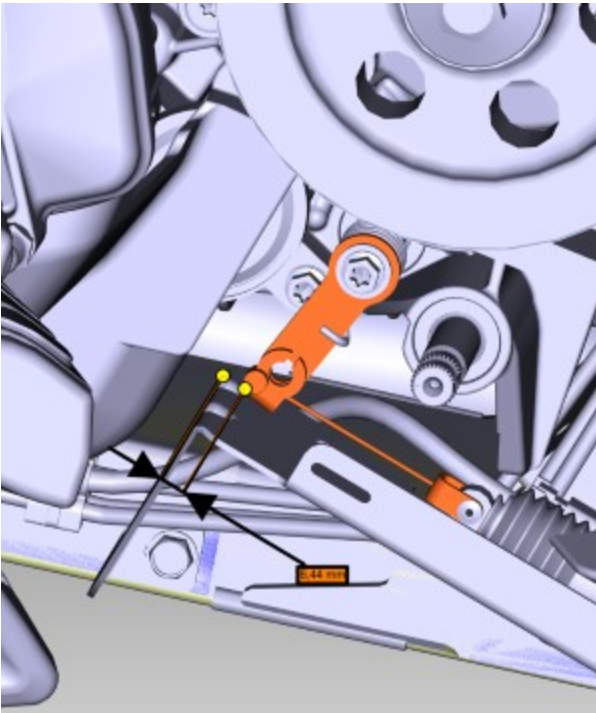
Check the actuator plate has not been damaged : bent - twisted
Check actuator and plate screws and nuts are properly tightened

Check spring installation on lever

Check if symptom still occurs with battery booster plugged on unit

Change oil with service 5w40 oil as the symptom is temperature dependant

Inspection Procedure:



Warranty:

Regular warranty applies

Attachment:

First Published By: Marc Andre Beaubien **on** 2024-05-30

Last Modified By: Marc Andre Beaubien **on** 2024-05-30