



SIB 63 03 24

INFO - Updated R 18 LED Headlight Repair Instructions

2024-05-16

## MODEL

Model	Model Description	Model Code
K35	R 18 Bagger	0L33
K35	R 18 Transcontinental	0L43

The affected vehicles have been marked with campaign number **INFO630001** in AIR.

In order to determine if a specific motorcycle is affected by this campaign, it will be necessary to verify the vehicle VIN in AIR (Aftersales Information Research). Based on the response of the system, either proceed with the repair or take no further action. Please note, open campaigns or vehicle stops may not appear in DCS Warranty Vehicle Inquiry or sales systems until 24-72 hours after they are announced, therefore AIR is always the recommended method for determining open campaigns and vehicle stops.

## SITUATION

Repair instructions “63 12 091 – Replace headlights” are not correct in AIR.

## PROCEDURE

Providing the repair instructions below until AIR is updated with the new instructions on 08/2024.

## QUESTIONS REGARDING THIS BULLETIN

Technical inquiries	Contact the BMW Technical Support Group via TSARA
Warranty inquiries	Submit an IDS ticket to the Warranty Department
Parts inquiries	Submit an IDS ticket to the Motorrad Parts Department

### Supporting Materials

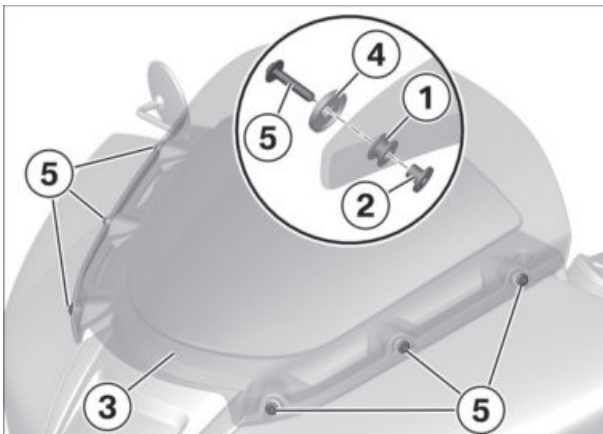
[picture\\_as\\_pdf 63 03 24 INFO - Updated LED Headlight Repair Instructions.pdf](#)

[picture\\_as\\_pdf RM\\_6312091\\_0L31\\_EN.pdf](#)

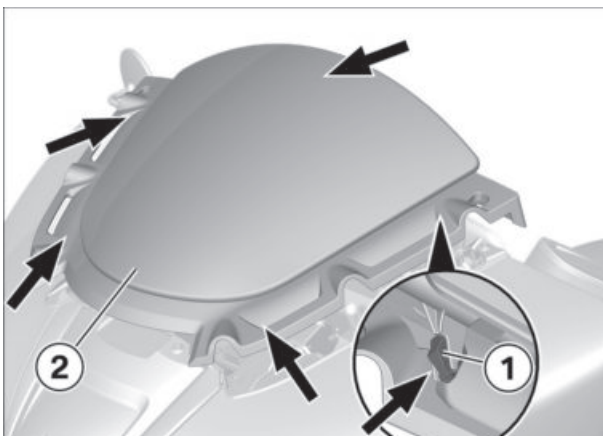


**OL31 - R 18 B****63 12 091 Replacing the headlight**

Additional work: 46 52 510 Mounting and dismounting the rear-wheel stand with special tools (for motorbikes without a centre stand)

**1****► Removing windscreen**

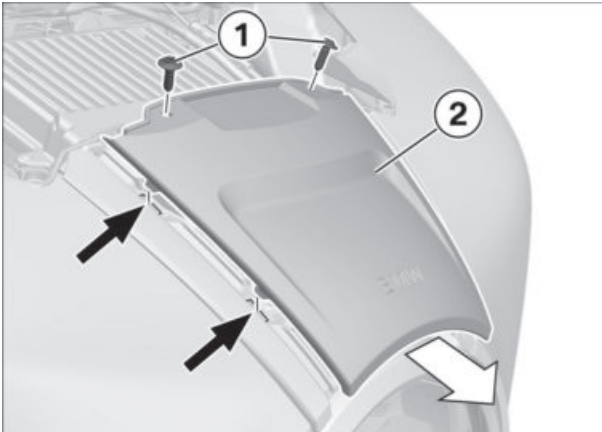
- Remove screws **(5)** with washers **(4)** and remove wind-screen **(3)**.
- Pay attention to rubber grommets **(1)** and bushings **(2)**.

**2****► Removing cover for windscreen holder**

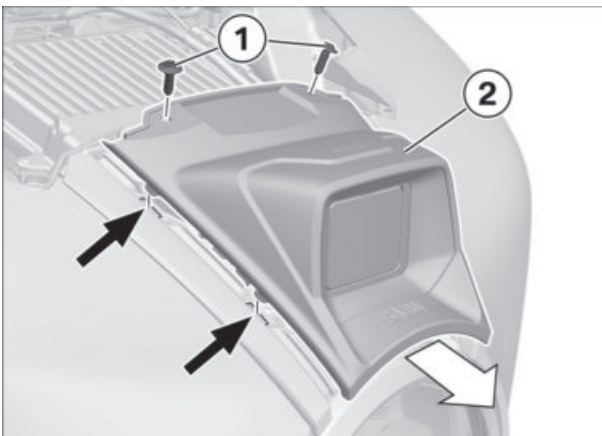
- Loosen mounting clips **(1)** (**arrows**) and remove cover **(2)**.



## 3

► **Removing centre protective cover**

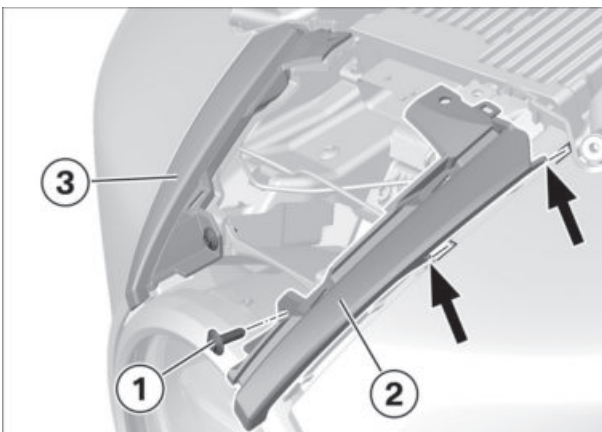
- Remove screws **(1)**.
- Detach protective cover **(2)** forward from hooks **(arrows)** and remove.



– with Active Cruise Control<sup>OE</sup> (05DF)

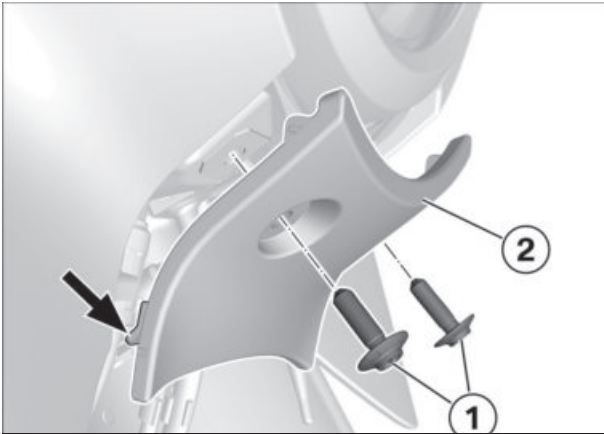
- Remove screws **(1)**.
- Detach protective cover **(2)** forward from hooks **(arrows)** and remove.◇

## 4

► **Removing trim on left and right for front trim panel**

- Remove bolt **(1)**.
- Detach protective cover **(2)** forward from hooks **(arrows)** and remove.
- Remove trim **(3)** in the same way.

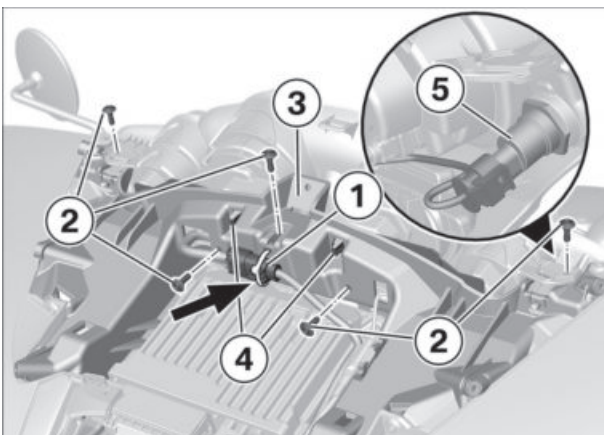
5



► **Removing bottom protective cover**

- Remove screws (1).
- Detach protective cover (2) forward from hooks (arrow) and remove.

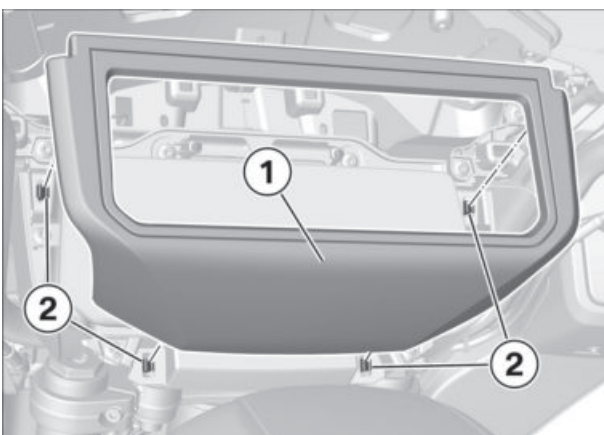
6



► **Removing top instrument carrier**

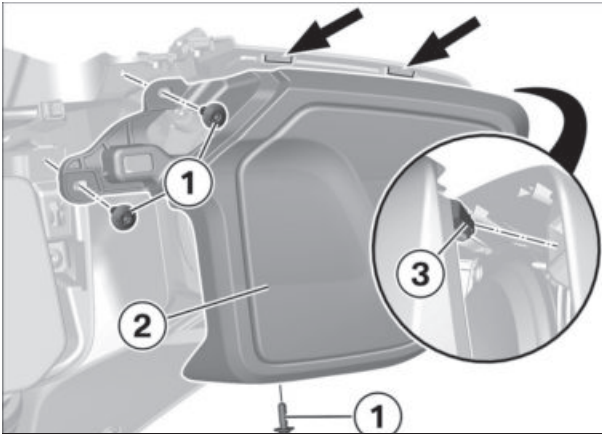
- Cut through the cable strap (arrow).
- Disconnect connector (1) for instrument cluster.
- Remove screws (2).
- Release instrument support (3) from mounting clips (4) and disconnect connector (5) for socket.
- Remove instrument support (3).

7

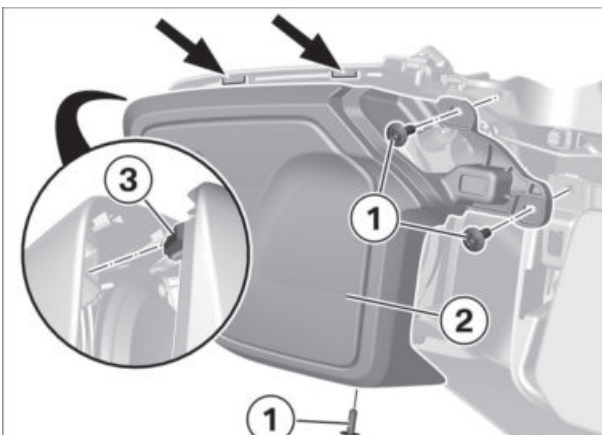


► **Removing cover for instrument panel**

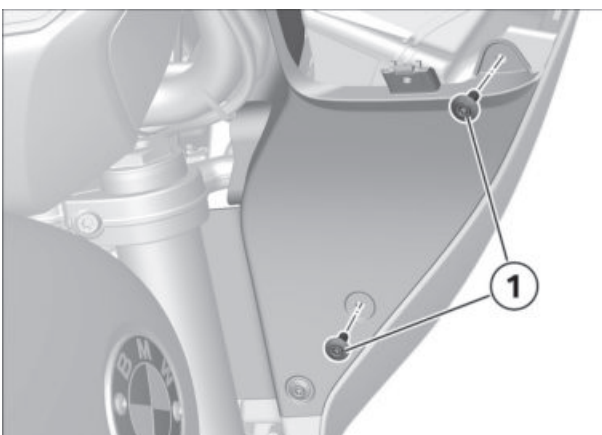
- Loosen trim (1) from mounting clips (2) and remove.

**8****▶ Removing right speaker cover**

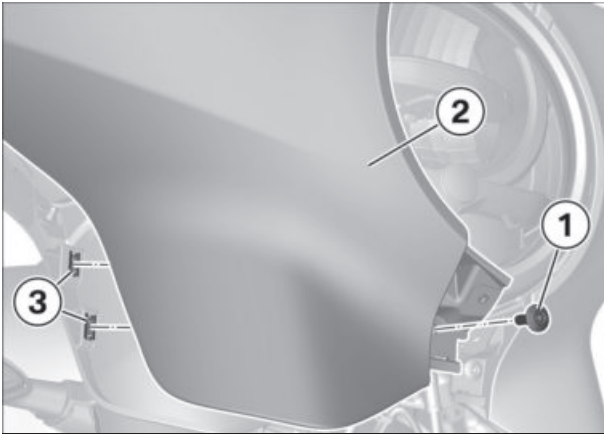
- Remove screws (1).
- Pull off cover (2) from mounting clip (3) noting hooks (arrows).
- Remove cover (2).

**9****▶ Removing left speaker cover**

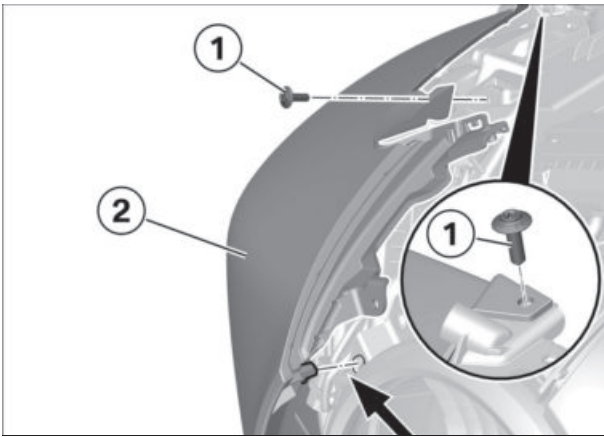
- Remove screws (1).
- Pull off cover (2) from mounting clip (3) noting hooks (arrows).
- Remove cover (2).

**10****▶ Removing right top side panel**

- Remove screws (1).

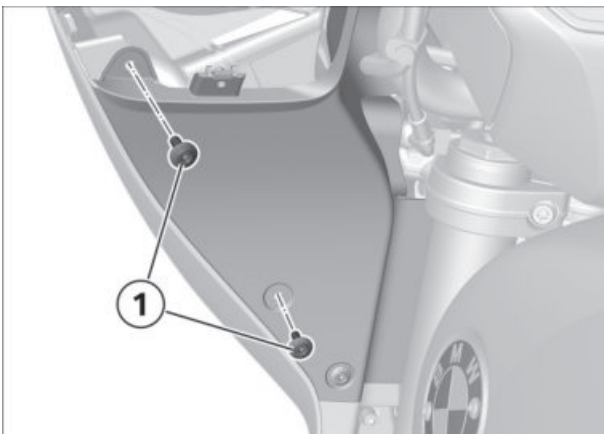


- Remove bolt (1).
- Loosen fairing side panel top (2) forward from clip clamps (3).



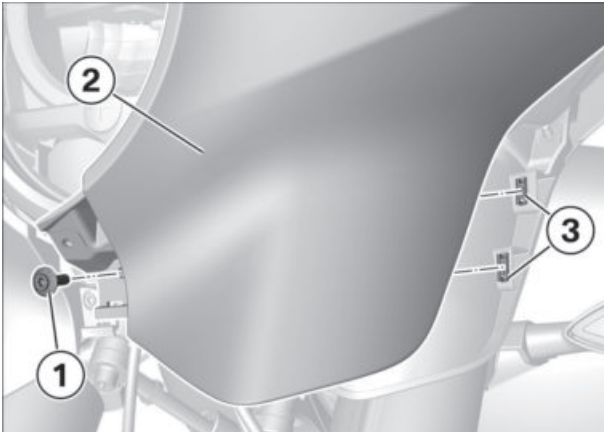
- Remove screws (1).
- Remove fairing side panel top (2) noting hooks (arrow).

# 11

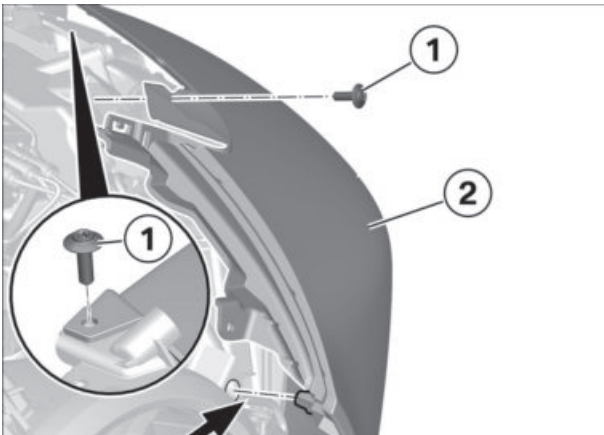


## ► Removing top left fairing side panel

- Remove screws (1).

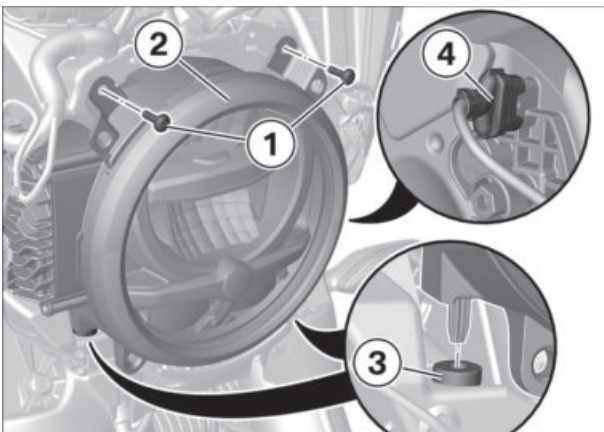


- Remove bolt **(1)**.
- Loosen fairing side panel top **(2)** forward from clip clamps **(3)**.



- Remove screws **(1)**.
- Remove fairing side panel top **(2)** noting hooks **(arrow)**.

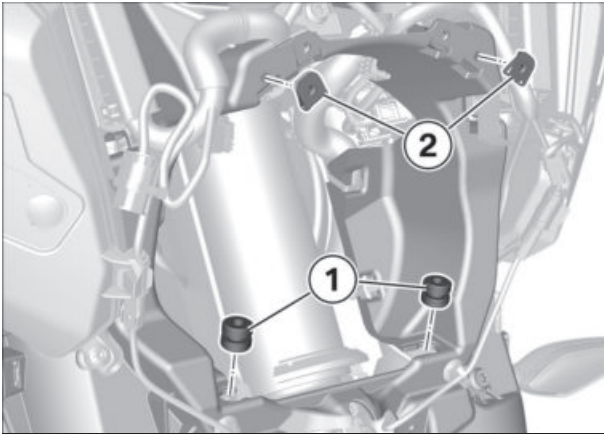
## 12



### ► Removing headlight

- Remove screws **(1)** and loosen headlight **(2)** from rubber grommets **(3)**
- Disconnect connector **(4)** and remove headlight **(2)**.

## 13



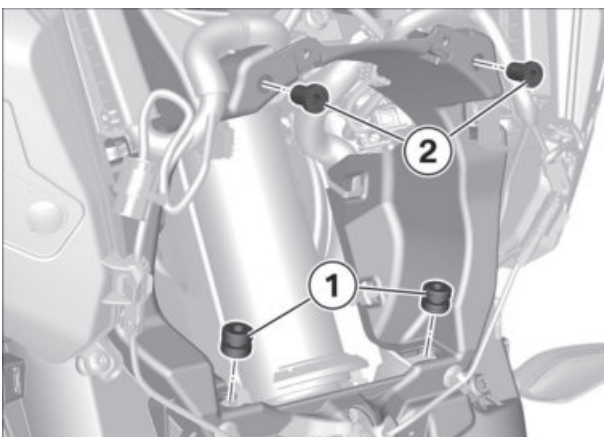
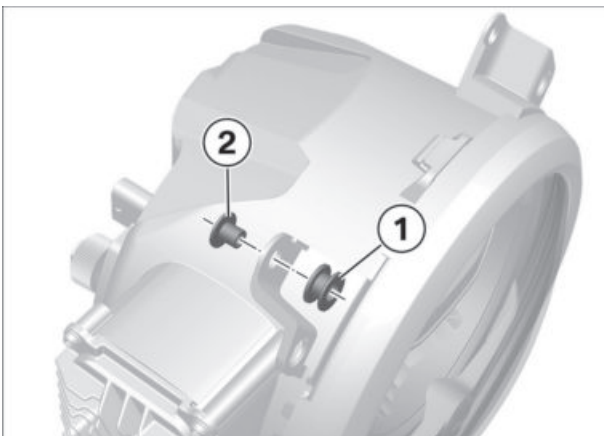
## ► Replacing headlight

- Build-level dependent check whether C-clip nuts **(2)** are installed.

 **NOTICE**

**(Version 1)** When installing C-clip nuts, the headlight must be replaced as follows.

- Renew rubber grommets **(1)**.
  - **Exclusively install new version**, article number 5 B53 B03.
- 
- Install rubber grommet **(1)** article number 8 534 532 and bush **(2)** article number 9 444 055 on right and left of **new** headlight.

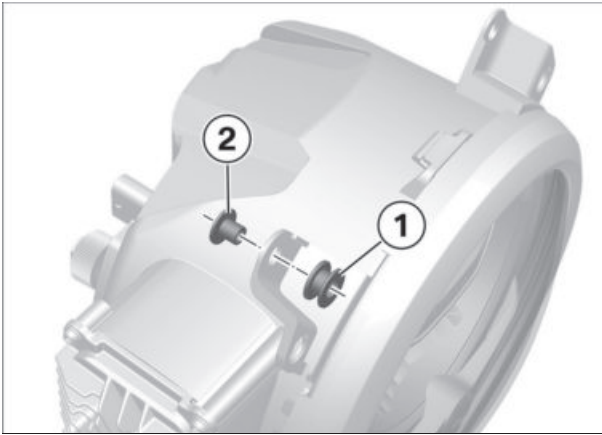


- Build-level dependent check whether Rivcle nuts **(2)** are installed.

 **NOTICE**

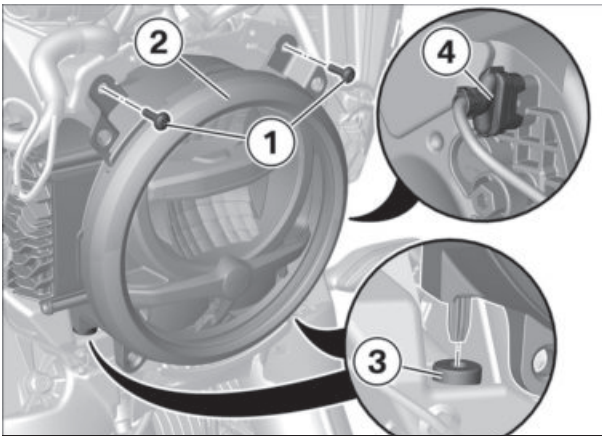
**(Version 2)** When installing Rivcle nuts, the headlight must be replaced as follows.

- Renew rubber grommets **(1)**.
- **Exclusively install new version**, article number 5 B53 B03.
- Remove Rivcle nuts **(2)**; are no longer required.



- Install rubber grommet **(1)** article number 8 534 532 and bush **(2)** article number 9 444 055 on right and left of **new** headlight.

## 14



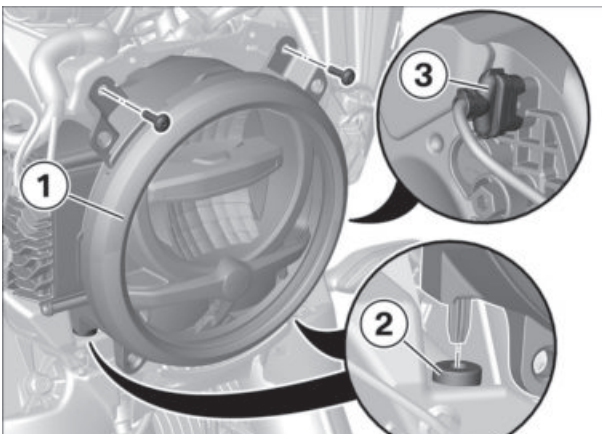
### ► Installing headlight

#### • Version 1

#### NOTICE

With **version 1** the headlight must be installed as follows.

- Insert headlight **(2)** in rubber grommets **(3)**.
- Connect connector **(4)**.
- Install new longer bolts **(1)** article number 8 534 939.

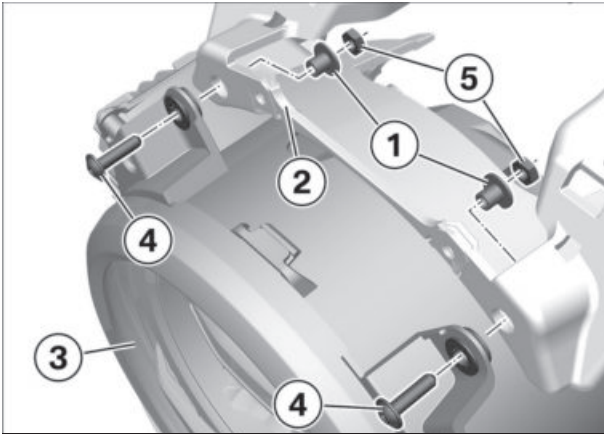


#### • Version 2

#### NOTICE

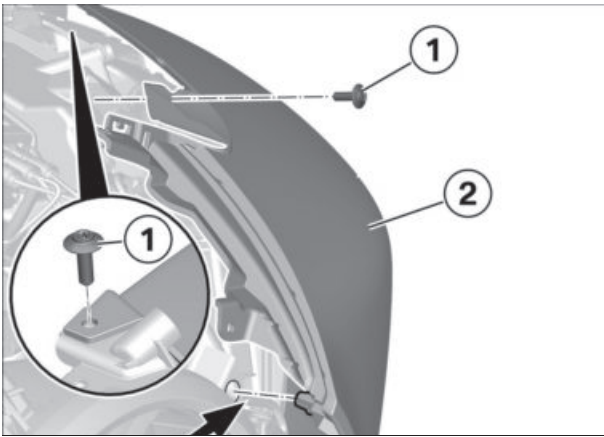
With **version 2** the headlight must be installed as follows.

- Insert headlight **(1)** in rubber grommets **(2)**.
- Connect connector **(3)**.



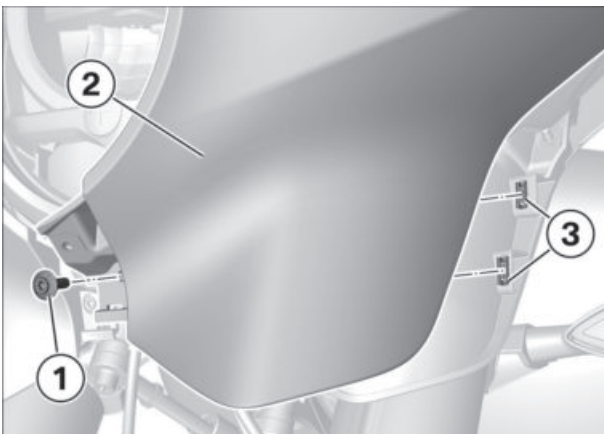
- Install collar bushes **(1)** article number 5 B5B 781 on left and right of windscreen holder **(2)**.
- Install headlight **(3)** with new longer bolts **(4)** article number 8 534 939 and with hexagon nuts **(5)** article number 9 904 475 on the left and right.

# 15

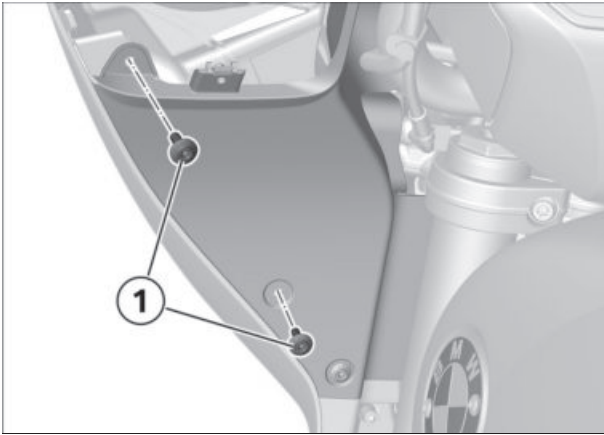


## ► Installing top left side panel

- Position fairing side panel top **(2)** noting hooks **(arrow)**.
- Install screws **(1)**.



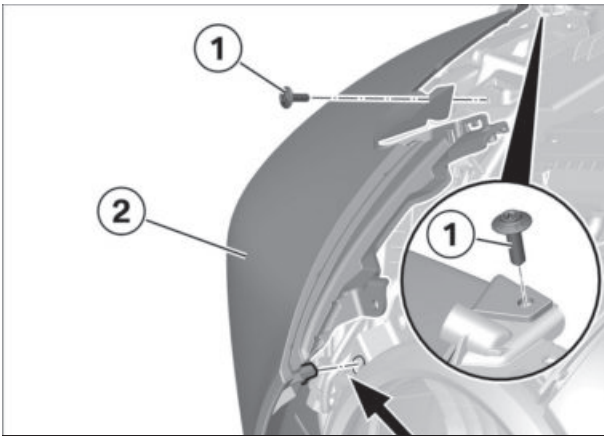
- Secure top fairing side panel **(2)** in clip clamps **(3)**.
- Install bolt **(1)**.



- Install screws **(1)**.

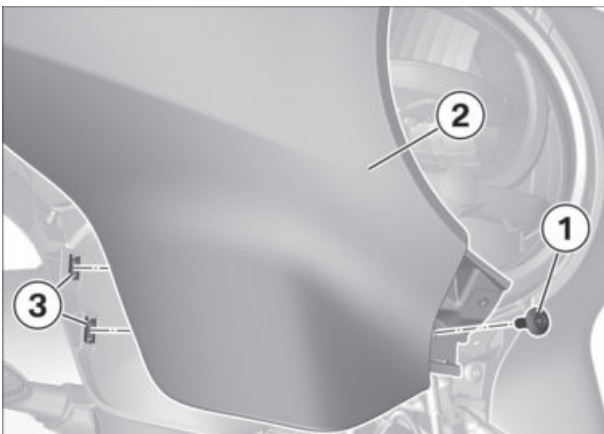


# 16

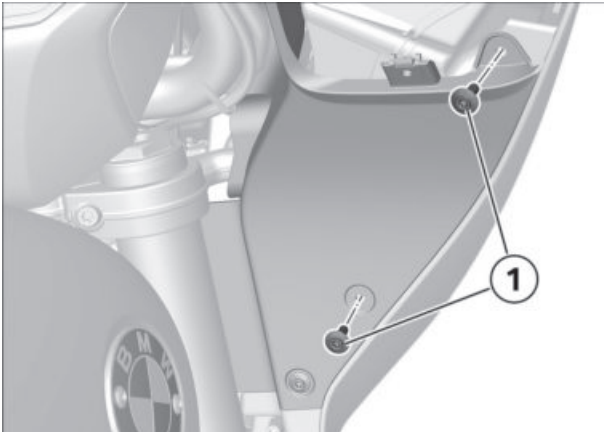


### ► Installing right top side panel

- Position fairing side panel top **(2)** noting hooks **(arrow)**.
- Install screws **(1)**.



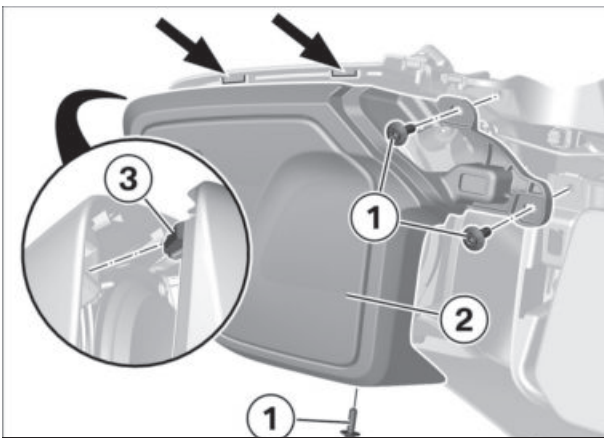
- Secure top fairing side panel **(2)** in clip clamps **(3)**.
- Install bolt **(1)**.



- Install screws (1).



## 17

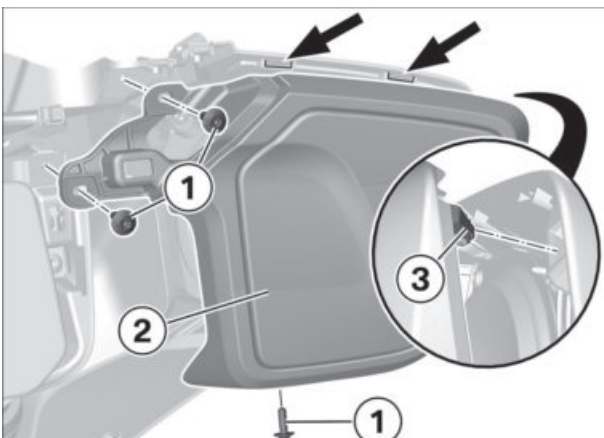


### ► Installing left speaker cover

- Fasten cover (2) with mounting clip (3) noting hooks (arrows).
- Install screws (1).



## 18

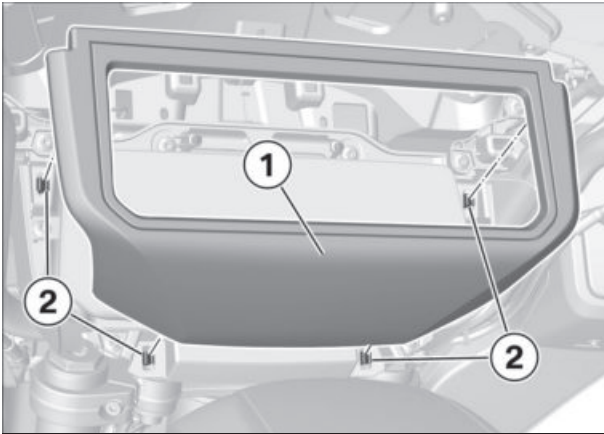


### ► Installing right speaker cover

- Fasten cover (2) with mounting clip (3) noting hooks (arrows).
- Install screws (1).

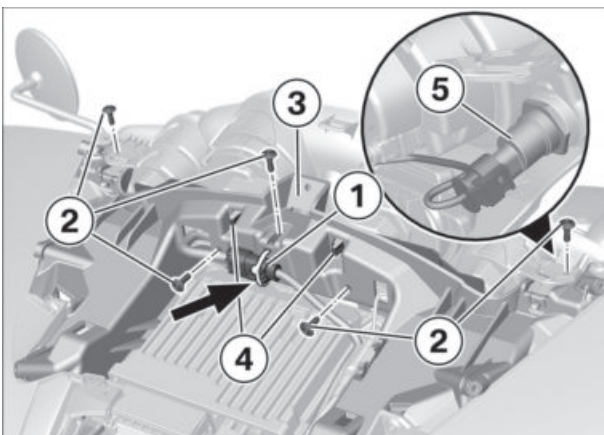


## 19

▶ **Installing cover for instrument panel**

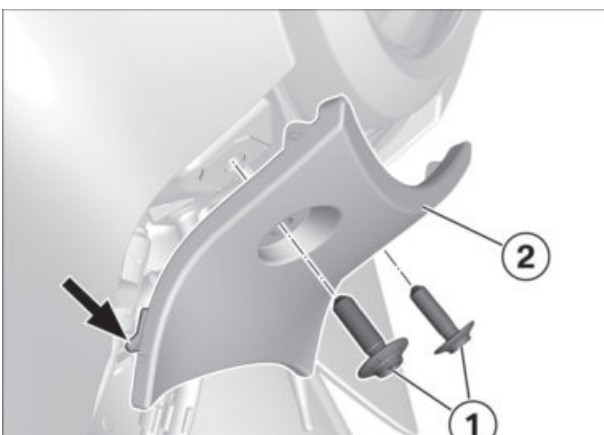
- Position trim **(1)** and fasten in mounting clips **(2)**.

## 20

▶ **Installing top instrument carrier**

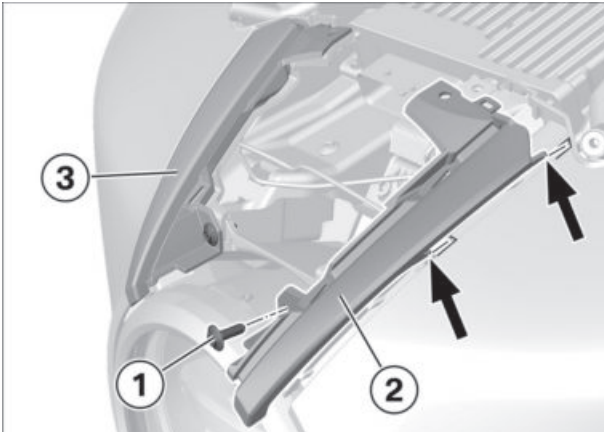
- Insert cable strap (**arrow**) in instrument support **(3)**, **do not close yet**.
- Position instrument support **(3)** and connect connector **(5)** for socket.
- Route connector **(1)** for instrument cluster.
- Secure instrument support **(3)** in mounting clips **(4)**.
- Connect connector **(1)** for instrument cluster.
- Secure the cable strap (**arrow**).
- Install screws **(2)**.

## 21

▶ **Installing bottom protective cover**

- Secure protective cover **(2)** in hooks (**arrow**).
- Install screws **(1)**.

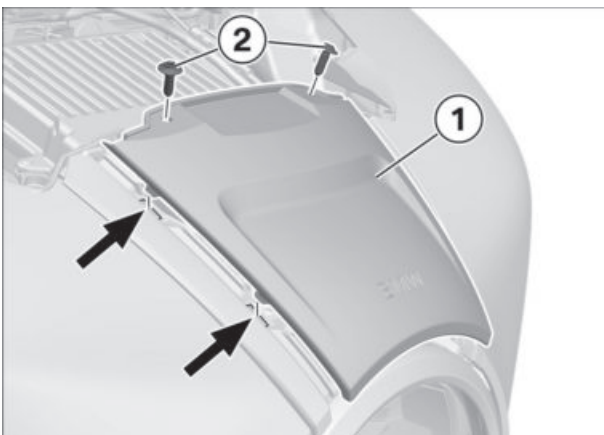
## 22



► **Installing trim on left and right for front trim panel**

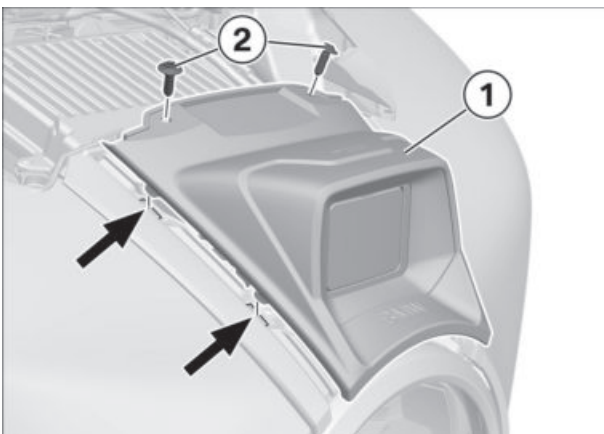
- Secure trim **(2)** in the hooks **(arrows)**.
- Install screw **(1)**.
- Install trim **(3)** in the same way.

## 23



► **Installing centre protective cover**

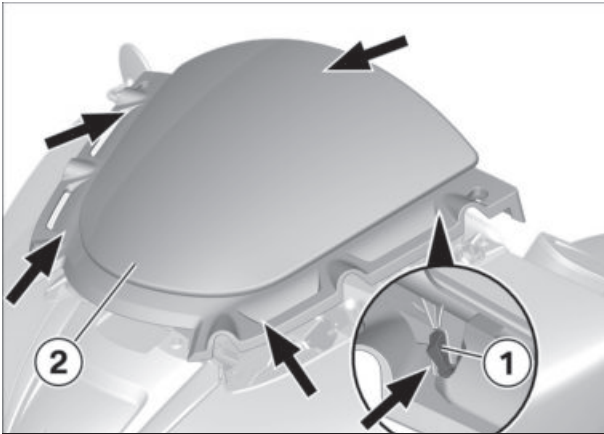
- Secure protective cover **(1)** in hooks **(arrows)**.
- Install screws **(2)**.



– with Active Cruise Control<sup>OE</sup> (05DF)

- Secure protective cover **(1)** in hooks **(arrows)**.
- Install screws **(2)**.◇

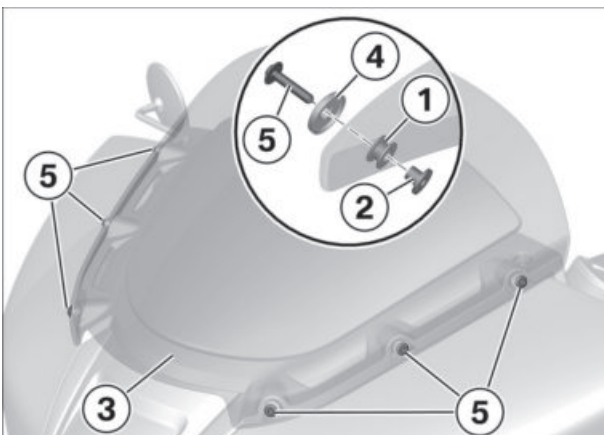
# 24



► **Installing cover for windscreen holder**

- Install cover (2) with mounting clips (1) (arrows).

# 25



► **Install the windscreen**

- Make sure that rubber grommets (1) and shouldered bushings (2) are installed.
- Position windscreen (3).
- Install washers (4) and screws (5).

Tightening torques		
Windscreen to windscreen holder		
M5 x 35	5 Nm	

# 26

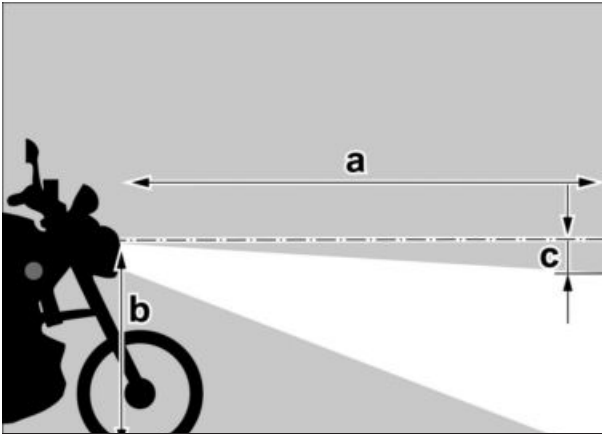
► **Checking headlight beam throw**

**Requirement**

Motorcycle standing on a smooth, level surface.

Rider's weight applied to the motorcycle.

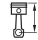
- Set the spring preload to the basic setting.



- Start the engine and check that the headlight setting.

**Check**

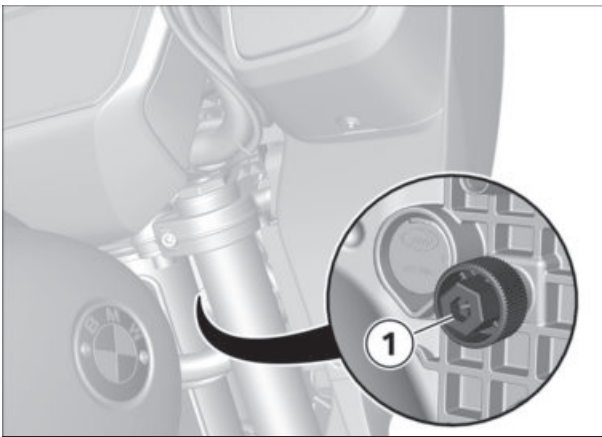
- Distances:
  - (a): distance between headlight and vertical surface
  - (b): height of centre of headlight
  - (c): distance to light/dark cut-off

 <b>Technical data</b>			
Distance between headlight and vertical surface For headlight adjustment		5 m	
Distance from light/dark limit to upper edge of low-beam headlight light-emitting surface	Suspension set to basic setting and vehicle loaded with 85 kg	5 cm	

**Result**

Headlight beam angle not correct.

**Measure**



▷ **Correcting headlight beam angle**

- Adjust beam throw of the headlight at adjusting screw (1).



► **Final check of work performed**

- Check the following:
  - The work as performed achieved the intended purpose.
  - All reservoirs and containers have been filled and all fluids and lubricants are at their correct levels.
  - All threaded fasteners released beforehand have been correctly retightened.
  - The fuel system is free of leaks.

- The lights and signalling equipment are fully operational and the vehicle is roadworthy.
- The brake pads of the front and rear brakes are bedded against the brake discs.

▷ **Function test, engine start suppression**

**Check**

- Select neutral.
  - » Switch on the ignition.
  - » Neutral indicator light "N" lights up.
- Select a gear.
  - » Neutral indicator light "N" goes out.
- Operate the starter switch.
  - » Starter does **not** operate.
- Extend the side stand.
  - » Pull the clutch lever.
  - Operate the starter switch.
    - » Starter does **not** operate.
- Retract the side stand.
  - Operate the starter switch without releasing the clutch lever.
    - » Starter operates.

**Result**

Not all test steps completed successfully.

**Measure**

- Check corresponding components with BMW Motorrad diagnosis system.

