



PERSONAL SERVICE LAB

MASTERS OF CARE

Grecale ECM DTC P1217 and P2D1100

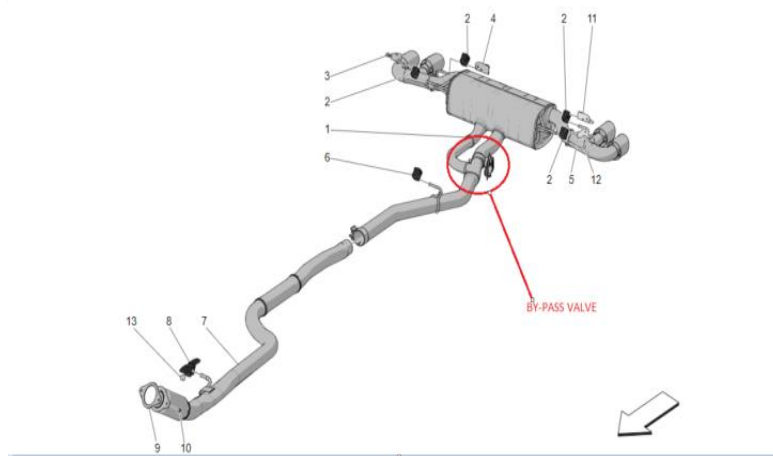
DATE: May 1, 2024

This Technical bulletin serves as a guide and provides additional diagnostic info for possible DTCs P1217 and P2D1100 stored in the ECM.

MODELS: Grecale 2.0 L4 MHEV (All MY).

CUSTOMER CONCERN: MIL on and abnormal exhaust noise

DTCs P1217 and P2D1100 stored in the ECM



ACTION: In the event that a customer complains about the problem covered by this technical information, it is requested:

1) Interview the customer by asking the following questions

a- Does the customer use fuel and/or oil additives and if so what type?

b- Is the refueling done at the same fuel service station??

2) Take a sample of oil and petrol, open a BOL as Support Request and wait for further instructions. The samples taken must be 500 ml