



FIELD SERVICE CAMPAIGN – 24104

APRIL 29, 2024

SUBJECT:

International® LoneStar® Air Filter Replacement

MODELS INVOLVED:

International® LoneStar®

DEFECT DESCRIPTION:

Certain International® LoneStar® Series trucks may have an air filter that does not meet our quality standards.

ELIGIBILITY:

This procedure applies ONLY to vehicles marked in the International® Service PortalSM with FSC 24104. Also complete any other open campaigns listed on the Service Portal at this time.

TOOLS REQUIRED:

No special tool required.

PARTS REQUIRED:

Part Number	Description	Quantity
2599273C93	Filter, Elements Kit, LH - RH	1

Table 1 Parts Information

WORK INSTRUCTIONS

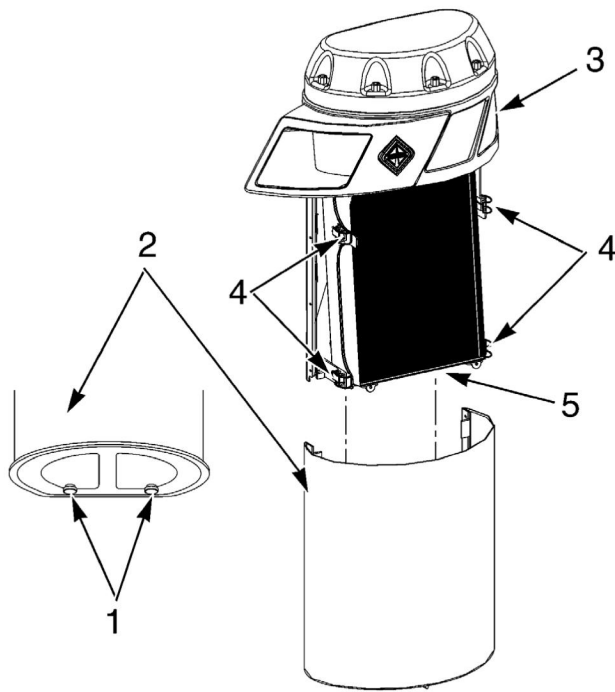
WARNING! To prevent personal injury and / or death, or damage to property, park vehicle on hard flat surface, turn the engine off, set the parking brake, and install wheel chocks to prevent the vehicle from moving in both directions.

WARNING! To prevent personal injury and / or death, always wear safe eye protection when performing vehicle maintenance.

WARNING! To prevent personal injury and / or death, or damage to property, keep flames or sparks away from vehicle and do not smoke while servicing the vehicle's batteries. Batteries expel explosive gases.

1. Shift transmission into Park or Neutral and set parking brake.
2. Turn ignition to Key OFF position.
3. Install wheel chocks.

NOTE: International® LoneStar® is equipped with two air cleaner housings, one on each side of the cowl. The filter element can easily be changed without use of any tools.



3817038

Figure 1. Air Filter Element Service

1. Thumb screw (2)
2. Filter element cover
3. Air cleaner housing
4. Latch (4)
5. Filter element

CAUTION! To prevent damage to property, **NEVER** use a hammer to loosen the filter cover.

NOTE: The air cleaner housing electrical connector that supplies the air cleaner housing marker light will automatically disengage from the filter element cover when the filter element cover is removed.

NOTE: The thumb screws are attached to the filter element cover with retainer washers so they cannot be removed from the filter element cover. If the filter element cover will not come loose, it may be necessary to tap on the sides of the filter element cover in a downward position with the palm of your hand to free the filter element cover from the air cleaner housing.

4. Locate and loosen two thumb screws (Figure 1, Item 1) on bottom of filter element cover.

5. Remove filter element cover (Figure 1, Item 2) by sliding filter element cover down and away from air cleaner housing (Figure 1, Item 3).

CAUTION! To prevent damage to property, carefully remove filter to avoid debris from entering the clean side piping to the turbocharger.

6. Release four latches (Figure 1, Item 4) holding filter element (Figure 1, Item 5).
7. Remove filter element (Figure 1, Item 5) by pulling bottom of filter element away from air cleaner housing (Figure 1, Item 3) and pulling down.

NOTE: Do not use compressed air to clean air cleaner housing.

8. Clean inside of air cleaner housing with a clean cloth.
9. Visually inspect air cleaner housing for damage or distortion, which could allow unfiltered air to enter engine.
10. Install new filter element into air cleaner housing, making sure that filter is properly seated in housing.
11. Secure filter element using four latches while making sure not to catch filter pleats with latches.
12. Install filter element cover onto air cleaner housing by starting at bottom of air cleaner housing and sliding notched sides of filter element cover up onto air cleaner housing.
13. Secure filter element cover with two thumb screws.
14. If air cleaner housing is equipped with marker lights, test marker lights to ensure they are functioning properly.
15. Remove wheel chocks.

LABOR INFORMATION

Operation Number	Description	Time
A40-24104-1	Element, Air filter, Replace	0.3 hrs

Table 2 Labor Information

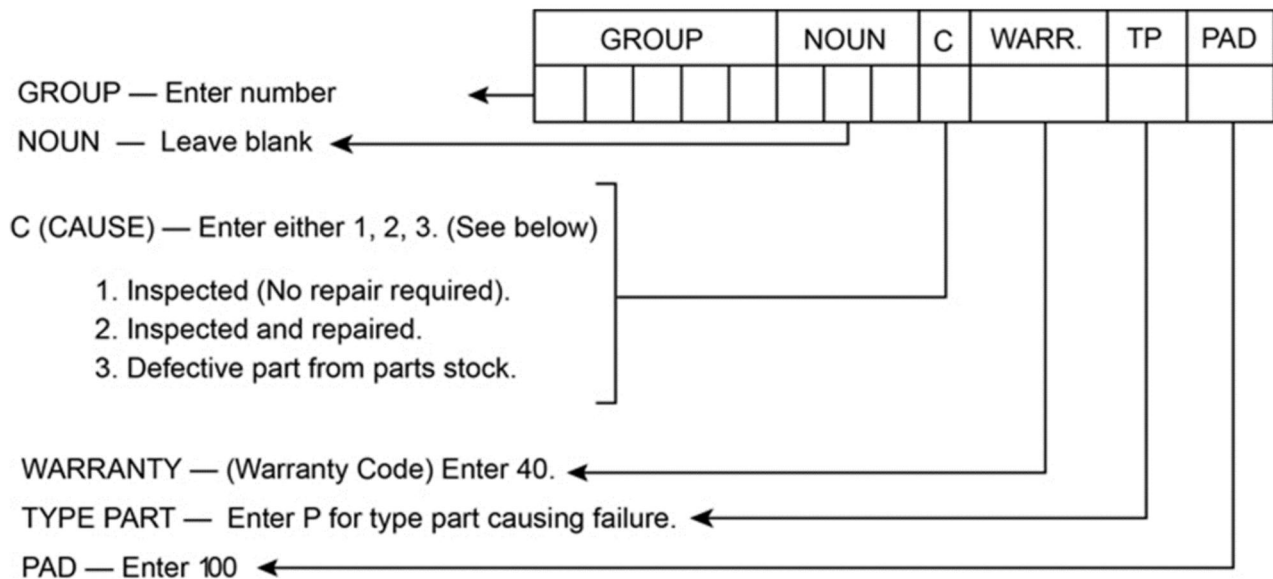
WARRANTY CLAIMS

Warranty claim expense is to be charged to Warranty. Claims are to be submitted in the normal manner, making reference to Field Service Campaign 24104.

Section 7 of the Warranty Policy and Procedures Manual contains further information related to the submission and processing of AFC / Recall claims.

As with all claim submissions, items acquired locally must be submitted in the “Other Charges” tab. The cost of any bulk items (such as a bag of cable tie straps, roll of wire, barrel of oil, or tube of silicone) should be prorated for the cost of the individual pieces / amount used during each repair.

To make sure this important improvement is made in a timely manner, all claims for 24104 activity must be submitted by 29 April 2025 or within the normal warranty period for the component repaired, if after 29 April 2025.



0000047910