

WPL8 - Replacing Electric Passenger Compartment Heater (Workshop Campaign)

Change
Overview:

Release	Date	Change
0	10/05/2023	• First publication
1	11/08/2023	• Update of Part Information
2	11/29/2023	• Update of Information note & TU
3	04/10/2024	• Deletion of Information note & Update of TU

Model Year: **As of 2020 up to 2023**

Model Line: **Taycan (Y1A / Y1B / Y1C)**

Concerns: **Electric passenger compartment heater**

Cause: **Due to a potential material error, the heater coating in the electric passenger compartment heater can become detached on the affected vehicles during prolonged utilization of the heating and with high heating output, especially in countries with frequently cold environmental conditions.**

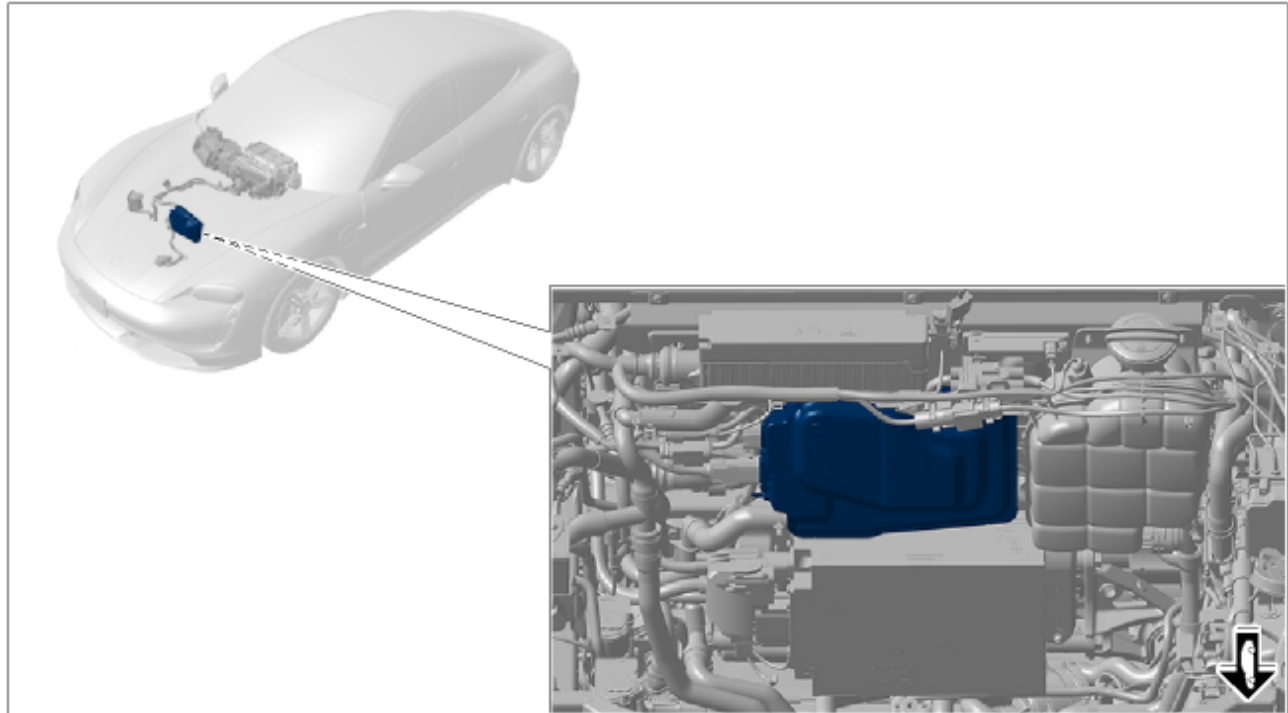
This may result in the heating function being impaired and the vehicle not defrosting properly when driving.

Action: Replace electric passenger compartment heater.

Affected Vehicles: Only vehicles assigned to the campaign (see also PCSS Vehicle Information).

Installation

Position:

*Installation position*

– (Replacing) **Electric passenger compartment heater**

Required parts and materials



Information

According to the latest knowledge, it is no **longer necessary** to replace the hexagon nut (**N 10737001**) and the hexagon socket screw (**N 91096801**) when replacing the electric passenger compartment heater. **These can therefore be reused.** For this reason, the two part numbers mentioned are removed from this campaign.

For the transitional period, it will continue to be possible to invoice these after installation. The remaining stocks of the internal hexagon round-head bolt (N 91096801) and the hexagon nut (N 10737001) on the market can be used up if necessary. It is not necessary to return the parts.

Parts Info:

Part No.	Designation	Number
V04015007AK	⇒ Electric passenger compartment heater	1 piece



Information

From 11/1/23 forward, the campaign part # will not be available to order. As communicated via PPN, the spare part # for the HV Heater will be used for both WPL8 and Car Down (non-campaign) repairs. Either part can be invoiced in WWS for the campaign.

The spare part is:

Part No.	Designation	Number
PAD963507A	⇒ Electric passenger compartment heater	1 piece

Materials: **Only if required** (usually already available in the Porsche Center):

Part No.	Designation	Quantity
00004330516	⇒ Coolant additive, 20-liter/ 5.28 gal container – Cooling system	As much as required (max. 0.5 liter/ 16.9 required per vehicle)

Required tools

- **VAS 6883A - Insulated tool set**
- **VAS 6890 - Spring band clamp pliers**
- Torque wrench, 2-10 Nm (1.5-7.5 ftlb.), e.g. **V.A.G 1783 - Torque wrench, 2-10 Nm (1.5-7.5 ftlb.)**
- **VAS 531 011 - Cooling system service equipment**
- **3093 - 3093 - Hose clamp**
- **VAS 6675A - Funnel**
- Battery charger with a current rating of **at least 90 A** and - if required - **also with a current and voltage controlled charge map** for lithium starter batteries, e.g. **VAS 5908 90 A battery charger**
- **P90999 - PIWIS Tester 4**

Replacing electric passenger compartment heater



Incorrect handling of high-voltage components

- Electric shock
- Short circuit
- Fire
- Explosion

- ⇒ Only appropriately trained and authorized persons are permitted to work on high-voltage vehicles and components.
- ⇒ Required qualification: High voltage technician or high voltage expert.
- ⇒ Observe national requirements and legislation for this work.
- ⇒ Always use insulated tools, e.g. VAS 6883 Insulated Tool Set when working on these components.
- ⇒ Observe general warning notes for working on the high-voltage system. ⇒ *Workshop Manual '2X00IN General warning notes for working on the high-voltage system'*



Information

If necessary, a data reconciliation from the vehicle analysis log (VAL) can be used to check whether the correct electric passenger compartment heater has already been installed.

To do this, perform a reconciliation of the date of manufacture of the passenger compartment heater installed in the vehicle in the PCSS and function "Comparison of diagnostic data (VAL)" with the currently uploaded vehicle analysis log (VAL).

- If the date of manufacture is later than February 14, 2023 (manufacture > 14.02.2023), an optimized component has already been installed on this vehicle ⇒ Reconciliation of manufacturing date for high-voltage heater (VAL). In this case, it is not necessary to replace the electric passenger compartment heater again.
- If the date of manufacture is before February 14, 2023 (date of manufacture < 14.02.2023), the electric passenger compartment heater must be replaced.

Electric heater (HV-PTC)		✓
ECU information		
Electric heater (HV-PTC): software version	0017	
Electric heater (HV-PTC): hardware part number	91943683F	
Electric heater (HV-PTC): hardware version	H13	
Electric heater (HV-PTC): serial number	00000000022042431	
Electric heater (HV-PTC): Part/dep part number	91943683F	
Custom_name_System_Name	HV_0823	
Electric heater (HV-PTC): Production date	2024.02	
Electric heater (HV-PTC): Mounting manufacturer number	1431	

Electric heater (HV-PTC)		✗
ECU information		
Electric heater (HV-PTC): software version	0014	
Electric heater (HV-PTC): hardware part number	91943683E	
Electric heater (HV-PTC): hardware version	H13	
Electric heater (HV-PTC): serial number	00000000022182963	
Electric heater (HV-PTC): Part/dep part number	91943683E	
Custom_name_System_Name	HV_0823	
Electric heater (HV-PTC): Production date	2023.02	
Electric heater (HV-PTC): Mounting manufacturer number	2953	

*Reconciliation of manufacturing date
for high-voltage heater (VAL)*

- Work Procedure: 1 **Create Vehicle Analysis Log (VAL)** using the PIWIS Tester. Mark the vehicle analysis log you have just created with the attribute "Pre-VAL" and after carrying out the campaign, return it using the PIWIS Tester.

- 2 Remove electric passenger compartment heater ⇒ *Electric passenger compartment heater -1-*.
For this, see ⇒ *Workshop Manual '828019 Removing and installing electric passenger compartment heater'*



Information

Please note that with only vehicles with the **auxiliary heater (M No. 9M3)** equipment option, is a thermal insulation (case) **also** ⇒ *Thermal insulation (case) -1-* installed on the electric passenger compartment heater. This must be converted from the old to the new electric passenger compartment heater.

- 3 Install a **new** electric passenger compartment heater.
For this, see ⇒ *Workshop Manual '828019 Removing and installing electric passenger compartment heater'*



Information

For the new electric passenger compartment heater to be **back-documented correctly**, the **PIWIS Tester must be logged in online** and in the Porsche Partner Network (PPN).

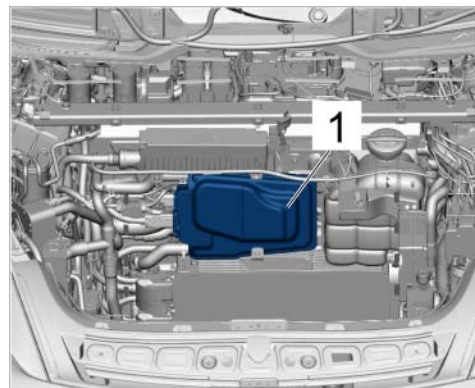
- 4 Teach electric passenger compartment heater. ⇒ *Workshop Manual '828055 Replacing electric passenger compartment heater'*
- 5 **Create Vehicle Analysis Log (VAL)** using the PIWIS Tester. Mark the vehicle analysis log you have just created with the attribute **"Post-VAL"** and after carrying out the campaign, return it using the PIWIS Tester.
- 6 Enter the campaign in the Warranty and Maintenance logbook.

Warranty processing

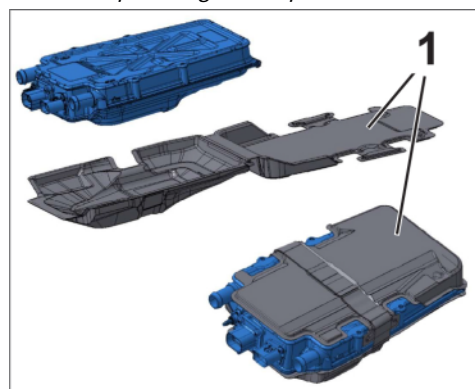


Information

The labor time specified below was determined specifically for carrying out this campaign and may differ from the labor times published in the Labor Operation List in PCSS.



Electric passenger compartment heater



Thermal insulation (case)

Scope 1:

Labor time:

Replacing electric passenger compartment heater

Labor time: **572 TU**

Includes:

- Deactivating and activating high-voltage system
- Draining and filling coolant
- Bleeding cooling system
- Removing and installing luggage compartment tray
- Remove and install front cover
- Loosening and fastening front end fuse box
- Loosening and fastening ground strap for battery
- Create pre- and post-VAL

Required parts:

V04015007AK	Electric passenger compartment heater	1 piece
-------------	---------------------------------------	---------

Required materials (only if needed):

00004330516	Coolant additive (20-liter/ 5.28 gal container)	0.03 piece
-------------	---	------------

⇒ **Damage Number WPL8 066 000 2****Customer mobility / Vehicle transport****Customer mobility for the duration of the carrying out the action**

If necessary, customer mobility can be granted and invoiced. As a rule, the current rules governing the Customer Mobility Programme apply here.

Vehicle collection from customer (collection and delivery service)

If the customer cannot keep a workshop appointment at short notice to carry out the action, offer to collect the vehicle from the customer and return it after the repair has been completed (collection and delivery service). This service can be invoiced via the mobility voucher in accordance with the applicable preconditions.

If the costs actually incurred exceed the value of the mobility voucher, the remaining amount can be borne from the local customer goodwill budget.

Vehicle collection from customer (vehicle transport)

If necessary, the customer can also arrange for the vehicle to be collected and transported to the workshop via the respective Porsche Center. Vehicle transport must be commissioned and invoiced by the Porsche Center responsible.

The costs incurred in the campaign claim can be invoiced as external services (sublets) in the campaign application for WPL8 workshop campaign. Please attach a copy of the invoice to the campaign claim in "External services".

Important Notice: Technical Bulletins issued by Porsche Cars North America, Inc. are intended only for use by professional automotive technicians who have attended Porsche service training courses. They are written to inform those technicians of conditions that may occur on some Porsche vehicles, or to provide information that could assist in the proper servicing of a vehicle. Porsche special tools may be necessary in order to perform certain operations identified in these bulletins. Use of tools and procedures other than those Porsche recommends in these bulletins may be detrimental to the safe operation of your vehicle, and may endanger the people working on it. Properly trained Porsche technicians have the equipment, tools, safety instructions, and know-how to do the job properly and safely. Part numbers listed in these bulletins are for reference only. The work procedures updated electronically in the Porsche PIWIS diagnostic and testing device take precedence and, in the event of a discrepancy, the work procedures in the PIWIS Tester are the ones that must be followed.

© 2024 Porsche Cars North America, Inc.