

April 2024
SF690A
REVISED (April 2024)

Subject: SiriusXM SDAR Antenna

Models Affected: Specific model year 2024 Freightliner 108SD, 114SD, and Business Class M2 vehicles manufactured July 31, 2023, through November 25, 2023, and equipped with SiriusXM receiver.

General Information

Daimler Truck North America LLC (DTNA), on behalf of its Freightliner Trucks Division, is initiating Field Service Campaign SF690 to modify the vehicles mentioned above.

REVISION: A step was added (step two) to the work instruction directing the technicians to Park the vehicle on a level surface, shut down the engine, set the parking brake and chock the tires before proceeding to work on the campaign.

On affected vehicles, the SiriusXM receiver was not equipped with the SDAR antenna due to compatibility issues. Without the required antenna installed, SiriusXM functionality will be non-functional.

The vehicles will have a compatible SDAR antenna installed.

There are approximately 187 vehicles involved in this campaign.

Additional Repairs

Dealers must complete all outstanding recall and field service campaigns prior to the sale or delivery of a vehicle. A dealer will be liable for any progressive damage that results from its failure to complete campaigns before sale or delivery of a vehicle.

Owners may be liable for any progressive damage that results from failure to complete campaigns within a reasonable time after receiving notification.

Please contact Warranty Campaigns for consideration of additional charges prior to performing the repair.

Work Instructions

Please refer to the attached work instructions. Prior to performing the campaign, check the vehicle for a completion sticker (Form WAR261).

Replacement Parts

Replacement parts are now available and can be obtained by ordering part number(s) listed below from your facing Parts Distribution Center (PDC). **Please do not order the cable extension in advance. Only order the cable extension as required.**

If our records show your dealership has ordered any vehicle(s) involved in campaign number SF690, a list of the customers and vehicle identification numbers will be available on the DTNA Portal. Please refer to this list when ordering parts for this campaign.

Table 1 - Replacement Parts for SF690

Campaign Number	Part Number	Part Description	Qty.
SF690A	PSO 28040440	CABLE-EXTN, SDAR ANTENNA, 6 ft	1 ea
	PAC 28482335	ANT-SDAR RADIO, XM/SIRIUS, 12'	1 ea
SF690A	WAR261	BLANK COMPLETION STICKER	1 ea

Table 1

April 2024
SF690A
REVISED (April 2024)

Labor Allowance

Table 2 - Labor Allowance

Campaign Number	Procedure	Time Allowed (hours)	SRT Code	Corrective Action
SF690A	Install SDAR antenna	3.0	996-F216A	12-Repair Recall/Campaign

Table 2

IMPORTANT: When the campaign has been completed, locate the base completion label in the appropriate location on the vehicle, and attach the gray completion sticker provided in the field service kit (Form WAR261). If the vehicle does not have a base completion label, clean a spot on the appropriate location of the vehicle and first attach the base completion label (Form WAR259). If a field service kit is not required or there is no completion sticker in the kit, write the campaign number on a blank sticker and attach it to the base completion label.

Claims for Credit

You will be reimbursed for your parts, labor, and handling (landed cost for Export Distributors) by submitting your claim through the warranty system within 30 days of completing this campaign. Please reference the following information in OWL:

- Claim type is **Field Service Campaign**.
- In the Campaign field, enter the campaign number and appropriate condition code (**SF690A**).
- In the Primary Failed Part field, enter **25-SF690-000**.
- In the Parts section, enter the appropriate part number(s) as shown in the Replacement Parts Table.
- In the Labor section, enter the appropriate SRT from the Labor Allowance Table. Administrative time will be included automatically as SRT 939-6010A for 0.3 hours.
- The VMRS Component Code is **F99-999-005** and the Cause Code is **A1 - Campaign**.
- This Field Service Campaign will **terminate on April 30, 2025**. Dealers will be notified of any changes to the termination date via an Important Campaign Information Letter (ICI) posted on the DTNA Portal.

IMPORTANT: OWL must be viewed prior to beginning work to ensure the vehicle is involved and the campaign has not previously been completed. Also, check for a completion sticker before beginning work.

All claims must be submitted within 30 days of the repair and within 30 days of the termination date of the campaign. U.S. and Canadian Dealers: All excess inventory to be returned to the PDC following the conclusion of the campaign must be returned in resaleable condition to the Memphis PDC within 90 days from the termination date. Please submit a PAR to request return to the Memphis PDC. (Canadian dealers should return the kits to their facing PDC.) Export Distributors: Excess inventory is not returnable.

For questions, U.S. and Canadian dealers, contact the Warranty Campaigns Department using the Warranty Support Center (WSC) app located on the DTNA Portal. Export distributors submit a WSC inquiry or contact your International Service Manager.

April 2024
SF690A

Copy of Notice to Owners

Subject: SiriusXM SDAR Antenna

Daimler Truck North America LLC (DTNA), on behalf of its Freightliner Trucks Division, is initiating Field Service Campaign SF690 to modify specific model year 2024 Freightliner 108SD, 114SD, and Business Class M2 vehicles manufactured July 31, 2023, through November 25, 2023, and equipped with SiriusXM receiver.

On affected vehicles, the SiriusXM receiver was not equipped with the SDAR antenna due to compatibility issues. Without the required antenna installed, SiriusXM functionality will be non-functional.

The vehicles will have a compatible SDAR antenna installed.

Please contact an authorized DTNA dealer to arrange to have the campaign performed and to ensure that parts are available at the dealership. The campaign will take approximately three hours and will be performed **free of charge**. To locate an authorized dealer, search online at northamerica.daimlertruck.com/contact-us. Scroll down to "Locate a Dealer," and select the appropriate brand.

This Field Service Campaign will **terminate on April 30, 2025**. Please make sure the campaign is completed prior to this date. Work completed after this date will be done at the customer's expense.

As stated in the terms of your express limited warranty, DTNA will not pay for any damage caused by failure to properly maintain your vehicle. DTNA considers the work necessary under this campaign to be proper maintenance and will, therefore, not pay for any damage to your vehicle caused by your failure to have the repairs that are the subject of this campaign performed in a reasonable time.

Contact the Warranty Campaigns Department at (800) 547-0712, from 7 a.m. to 4 p.m. Pacific Time, Monday through Friday, e-mail address dtna-war-campaigns@daimlertruck.com, or the Customer Assistance Center at (800) 385-4357, if you have any questions or need additional information.

WARRANTY CAMPAIGNS DEPARTMENT

Enclosure

April 2024
SF690A
REVISED (April 2024)

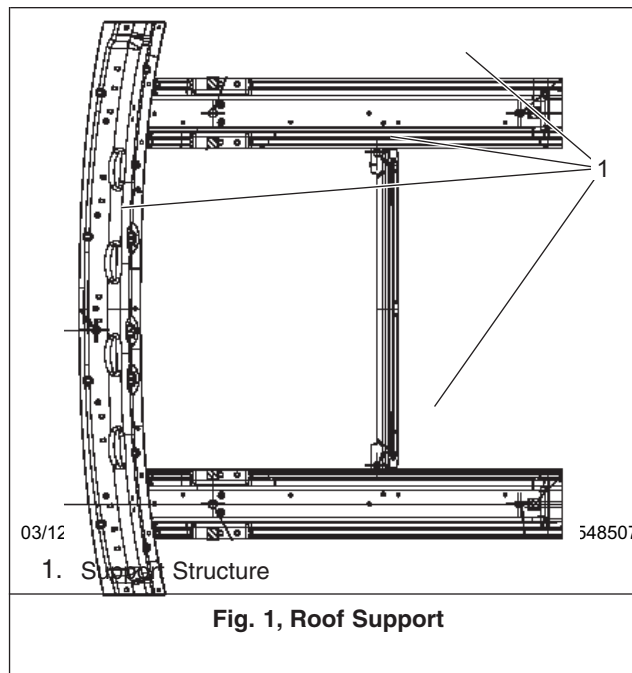
Work Instructions

Subject: SiriusXM SDAR Antenna

Models Affected: Specific model year 2024 Freightliner 108SD, 114SD, and Business Class M2 vehicles manufactured July 31, 2023, through November 25, 2023, and equipped with SiriusXM receiver.

Install SiriusXM Satellite Digital Audio Radio (SDAR) Antenna

1. Check the base label (Form WAR259) for a completion sticker for SF690 (Form WAR261), indicating this work has been done. The base label is usually located on the passenger-side door, about 12 inches (30 cm) below the door latch. If a completion sticker is present, no work is needed. If a completion sticker is not present, proceed to the next step.
2. Park the vehicle on a level surface, shut down the engine, and set the parking brake. Chock the tires.
3. Remove the top dash panel. For instructions, see **Section 60.08** of the *Business Class M2 Plus Workshop Manual*.
4. If so equipped, remove the overhead console. For instructions, see **Section 60.07** of the *Business Class M2 Plus Workshop Manual*.
5. Remove the forward headliner. For instructions, see **Section 60.06** of the *Business Class M2 Plus Workshop Manual*. See **Fig. 1**.



April 2024
SF690A
REVISED (April 2024)

NOTE: Due to third-party components being installed, some vehicles may need the antenna to be installed in a different location. The decision is made based on the technician's discretion. The antenna must be mounted on a flat surface. To choose the antenna-mounting location, remove the headliner, and make sure that the roof support structures do not obstruct the location of the mounting hole on the underside roof panel.

6. Prepare the roof skin for the antenna installation.
 - 6.1 With the headliner removed, the roof insulation may be securely or loosely attached. Carefully remove the insulation. See [Fig. 2](#).



Fig. 2, Location of the Roof Insulation

April 2024
SF690A
REVISED (April 2024)

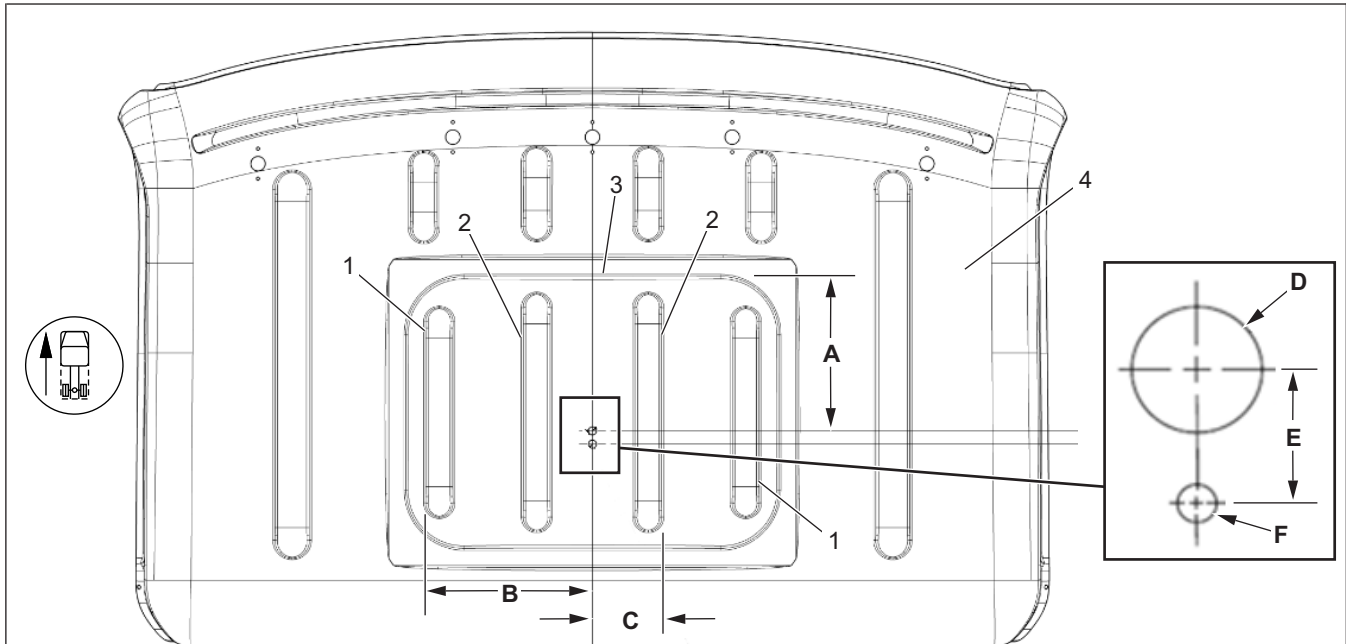
- 6.2 Once the roof insulation has been removed, the sound deadener on the roof skin can be observed. Based on the application at the plant, a sound deadener can be installed in many arrangements. See **Fig. 3**. **Do not** remove the sound deadener.



Fig. 3, Location of the Sound Deadener

April 2024
SF690A
REVISED (April 2024)

6.3 Use **Fig. 4** to mark and drill the antenna holes from either the top or bottom of the roof skin.



03/07/2024

f548500

- A. Measure the distance of 7-1/8 inch (180.5 mm) from the edge of the forward stamp towards the rear of the vehicle.
- B. Measure 13 inch (330 mm) from the outer rib towards the center line.
- C. Measure 5-1/4 inch (135 mm) from the inner rib towards the center line.
- D. Diameter of the bigger hole: 15±0.5 mm
- E. Difference between the center points: 16.5±0.25 mm
- F. Diameter of the smaller hole: 5±0.5 mm

- 1. Outer Rib
- 2. Inner Rib
- 3. Forward Stamp Edge
- 4. Roof Skin

Fig. 4, Drill Hole Measurements

April 2024
SF690A
REVISED (April 2024)

- 6.4 Use a masking tape to identify and mark out the drilling locations clearly. Locate the positions that need to be drilled, and mark them accordingly. See [Fig. 5](#).



Fig. 5, Marking the Drill Locations on the Roof Skin

NOTE: The drill at the front is a 15-mm hole, while the drill at the rear is a 5-mm hole.

- 6.5 Measure the distance of 7-1/8 inch (180.5 mm) from the edge of the forward stamp towards the rear of the vehicle.
- 6.6 Mark the location from the left-hand side to the right-hand side. See [Fig. 5](#) to locate the positions and mark both holes accordingly.

Depending on the position of the sound deadener, either the inner two ribs or the outer two ribs can be used to mark the center location.

April 2024
SF690A
REVISED (April 2024)

- 6.7 If using the outer rib, measure 13 inch (330 mm) from the outer rib towards the center line. If using the inner rib, measure 5-1/4 inch (135 mm) from the inner rib towards the center line. See [Fig. 6](#).



Fig. 6, Center Line Measured from the Outer Rib or Inner Rib

April 2024
SF690A
REVISED (April 2024)

7. Mark both the drilling locations 16.5 mm apart.

Use a drill bit of 5/8 inch (15 mm) to drill the bigger (front) hole. Use a drill bit of 7/32 inch (5 mm) to drill the smaller (rear) hole. A step bit can be used to drill the holes. See [Fig. 4](#) and [Fig. 7](#).



A



B

03/07/2024

f548503

- A. Drill the front hole using a 5/8 inch (15 mm) drill bit.
B. Drill the rear hole using a 7/32 inch (5 mm) drill bit.

Fig. 7, Drill Bits for Drilling Front and Rear Holes

April 2024
SF690A
REVISED (April 2024)

8. Debur the drilled holes. See [Fig. 8](#).

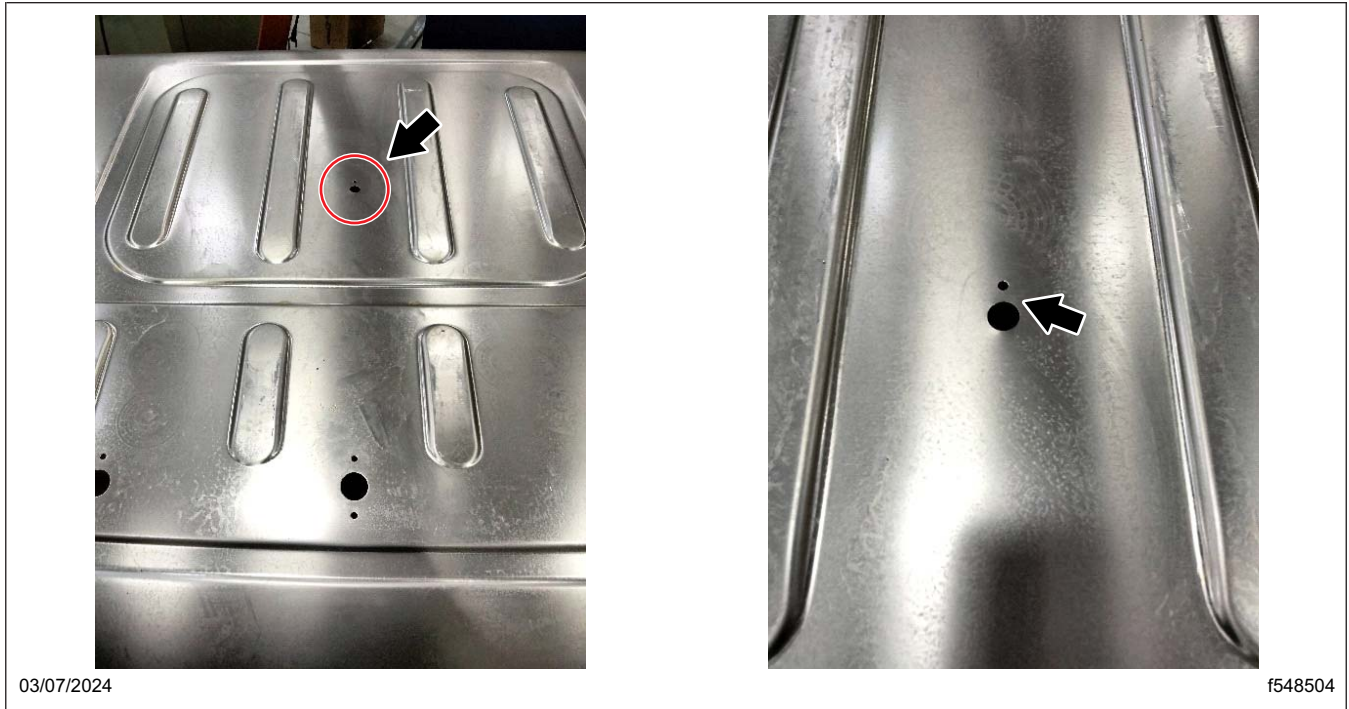


Fig. 8, Debur the Drilled Holes

April 2024
SF690A
REVISED (April 2024)

9. Install the antenna.

9.1 Feed enough 1/4-inch air line up through the roof skin until the line is accessible on either side of the cab. See [Fig. 9](#).



Fig. 9, Aligning the Antenna with the Holes

9.2 Use the tape to attach the antenna end to the air line.

9.3 Temporarily remove the bolt that holds the antenna clamp, and remove the attaching clamp. See [Fig. 10](#).

April 2024
SF690A
REVISED (April 2024)



Fig. 10, Antenna Clamp and Bolt Removed

- 9.4 Carefully pull the harness through the cab until the antenna aligns with the holes. See [Fig. 9](#).
- 9.5 Fasten the antenna hold-down clamp securely.

April 2024
SF690A
REVISED (April 2024)

10. Route the antenna wiring from the dome lamp harness along the A-pillar, down to the dash harness. See [Fig. 11](#) and [Fig. 12](#). Follow the dash harness to the radio. See [Fig. 13](#) and [Fig. 14](#).

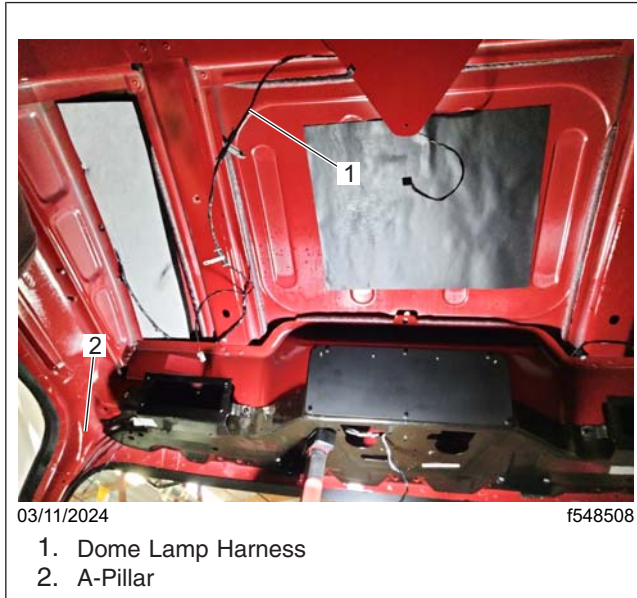


Fig. 11, Dome Lamp Harness Routing

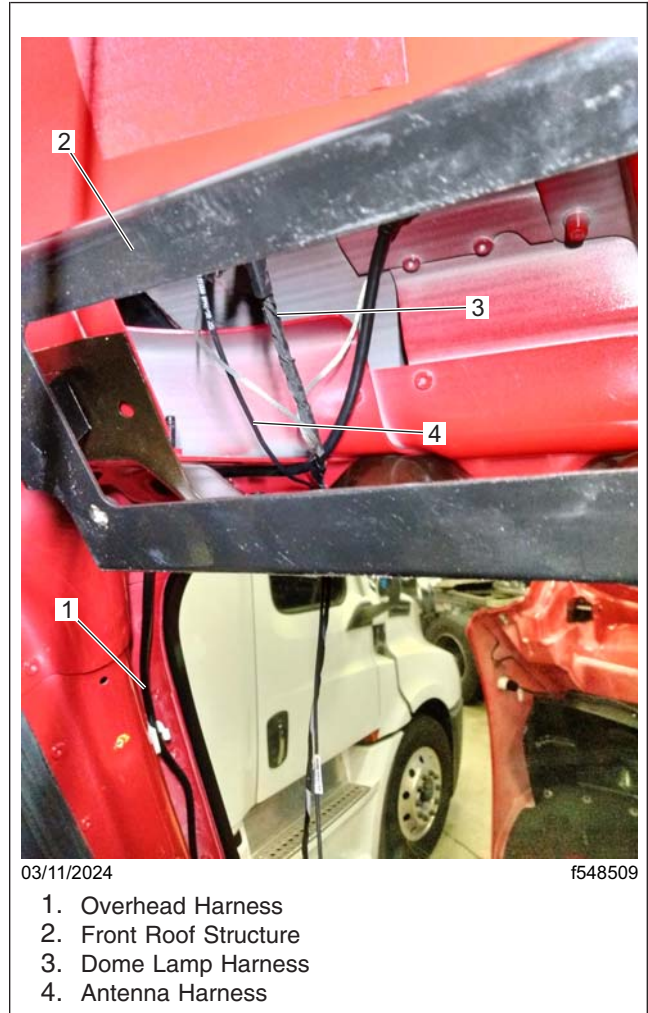


Fig. 12, Harness, Roof to A-Pillar

April 2024
SF690A
REVISED (April 2024)

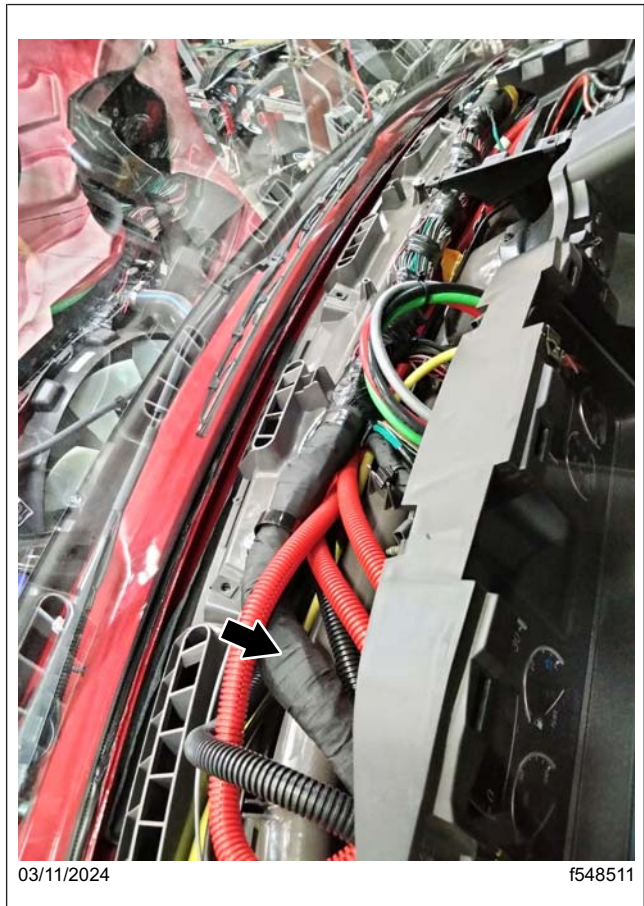


03/11/2024

f548510

1. Air Line Harness
2. Overhead/Dome Lamp Harness
3. Antenna Harness

Fig. 13, A-Pillar Harness Routing



03/11/2024

f548511

Fig. 14, Dash Harness Routing

NOTE: In vehicles with radio installed in the overhead console, route the antenna (using best shop practice) to the radio and secure any extra wiring as needed.

11. Connect the harness to the back of the radio.
12. If necessary, trim the roof insulation to accommodate the installed antenna, apply the adhesive spray, and install the insulation.
13. Turn ON the radio unit and switch it over to SiriusXM. Ensure that the 'NO ANTENNA' alert is not displayed. This alert appears as soon as the Sirius XM channel is accessed.
14. Install the forward headliner. For instructions, see **Section 60.06** of the *Business Class M2 Plus Workshop Manual*.
15. If so equipped, install the overhead console. For instructions, see **Section 60.07** of the *Business Class M2 Plus Workshop Manual*.
16. Install the top dash panel. For instructions, see **Section 60.08** of the *Business Class M2 Plus Workshop Manual*.
17. Clean a spot on the base label (Form WAR259), and attach a campaign completion sticker for SF690 (Form WAR261), indicating this work has been completed.