

Volvo VN Models - Clicking Or Popping From HVAC When Switching To And From Defrost, Reduced Airflow In Defrost - Model Year 2024 to Present

Published 9 April 2024

Valid For

VN models, model year 2024 to present

Solution

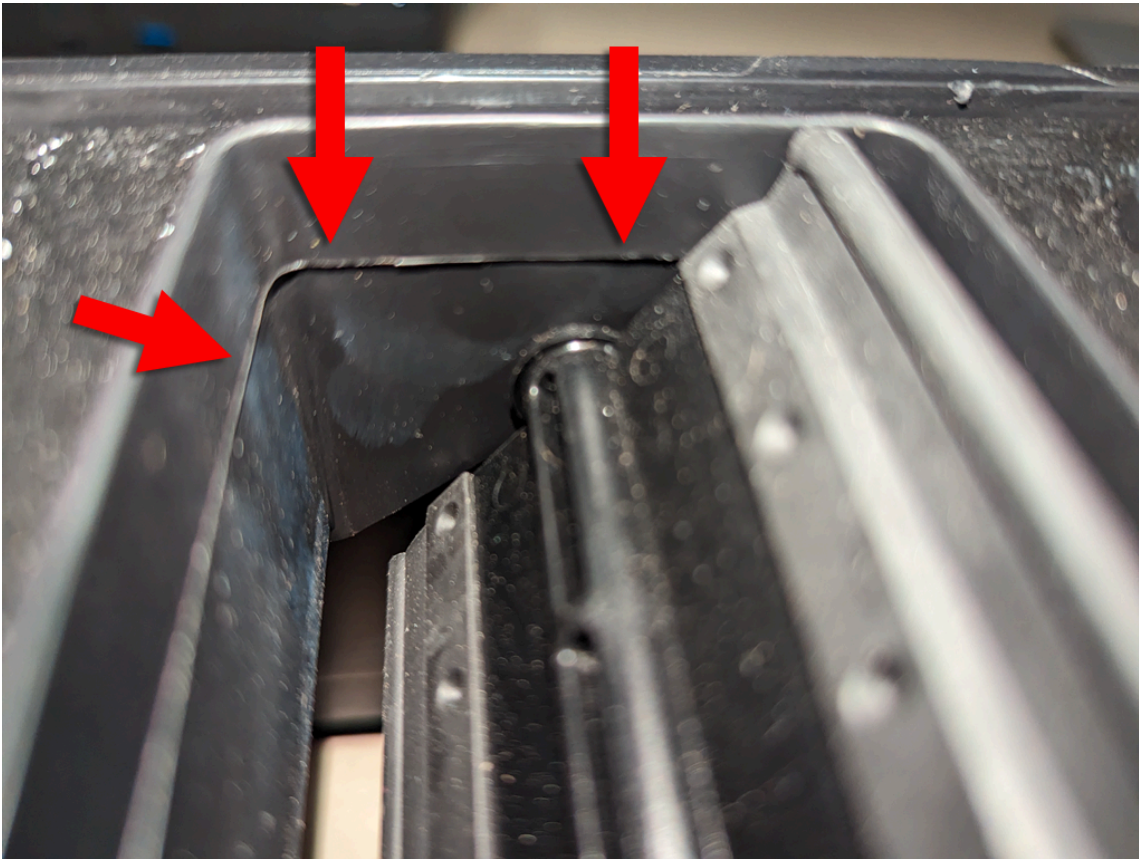
VN Models built from January 2023 to present may exhibit clicking or popping from the HVAC system and/or reduced airflow from the vents when in defrost mode.

It has been determined that this may be due to an excess of material in the blend door housing interfering with the movement of the blend door.

Diagnosis and Repair

If the symptoms above are reported for an applicable vehicle:

1. Access the blend doors following procedure [8722-03-02-01 Mode Box, Replacement \(Cab HVAC\)](#) in Impact.
2. Inspect the inside of the blend door ducts for excess plastic as shown below:



3. If the blend door is found to be tight against the opening, or excess material on the housing is shown to be interfering with the blend door's travel as shown in the images above:

- **3.1.** Using an Exacto knife or similar type of blade, shave any excess material present from the housing. The finished product should have a small gap between the edge of the blend door and the inner surface of the housing as shown below.



4. Reassemble the air distribution assembly following the procedure in Impact.

Related links and attachments

No links or attachments available



Share

to others that might find it helpful



Feedback

[Give feedback](#)

to help improve the content of this article

87201-2 Mode Box, Replacement (Cab HVAC)

i Illustrations may differ slightly from the actual vehicle being serviced. However, key components addressed in this information are represented as accurately as possible.

i All threaded fasteners that do not have a tightening torque specification in the information are tightened to a standard torque. Standard torques are available in the following specification. [Standard Tightening Torques](#)

⚠ CAUTION

Service Information Advisory.

If you are not properly trained and certified in this procedure, ask your supervisor for training before you perform it.

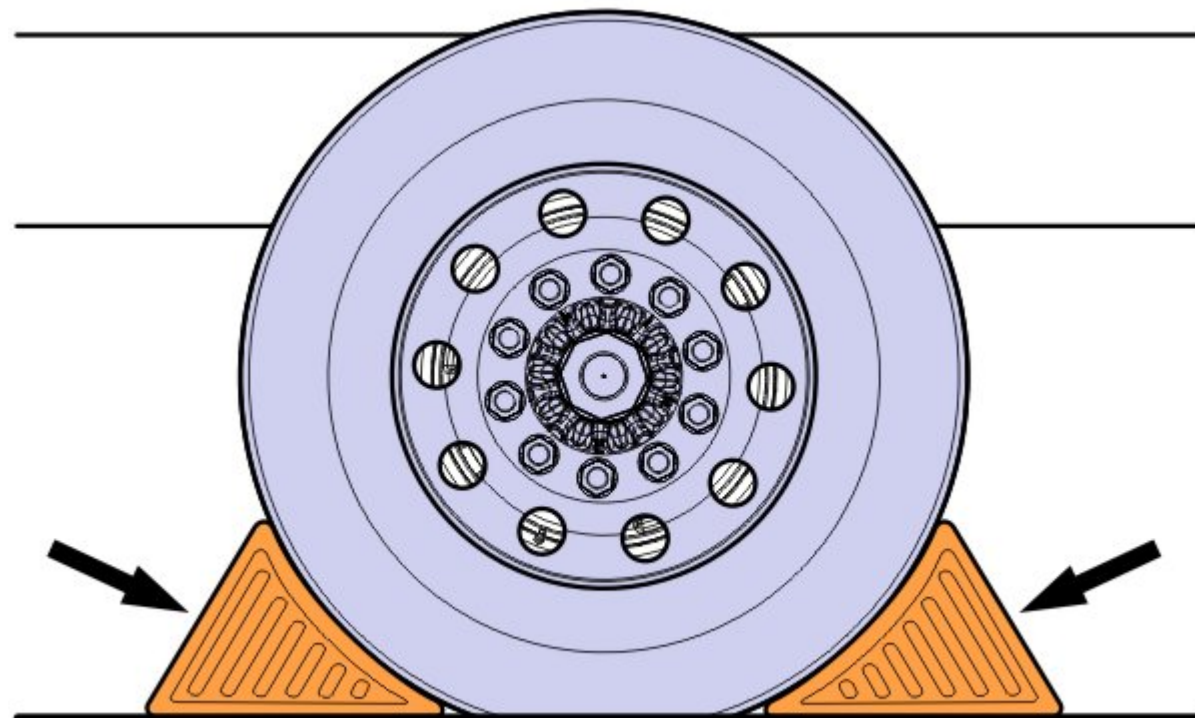
▶ You must read and understand the precautions and guidelines in Service Information, Function Group 8, "General Safety Practices, Body, Cab and Interior" before performing this procedure.

1 Park the vehicle on a level surface.

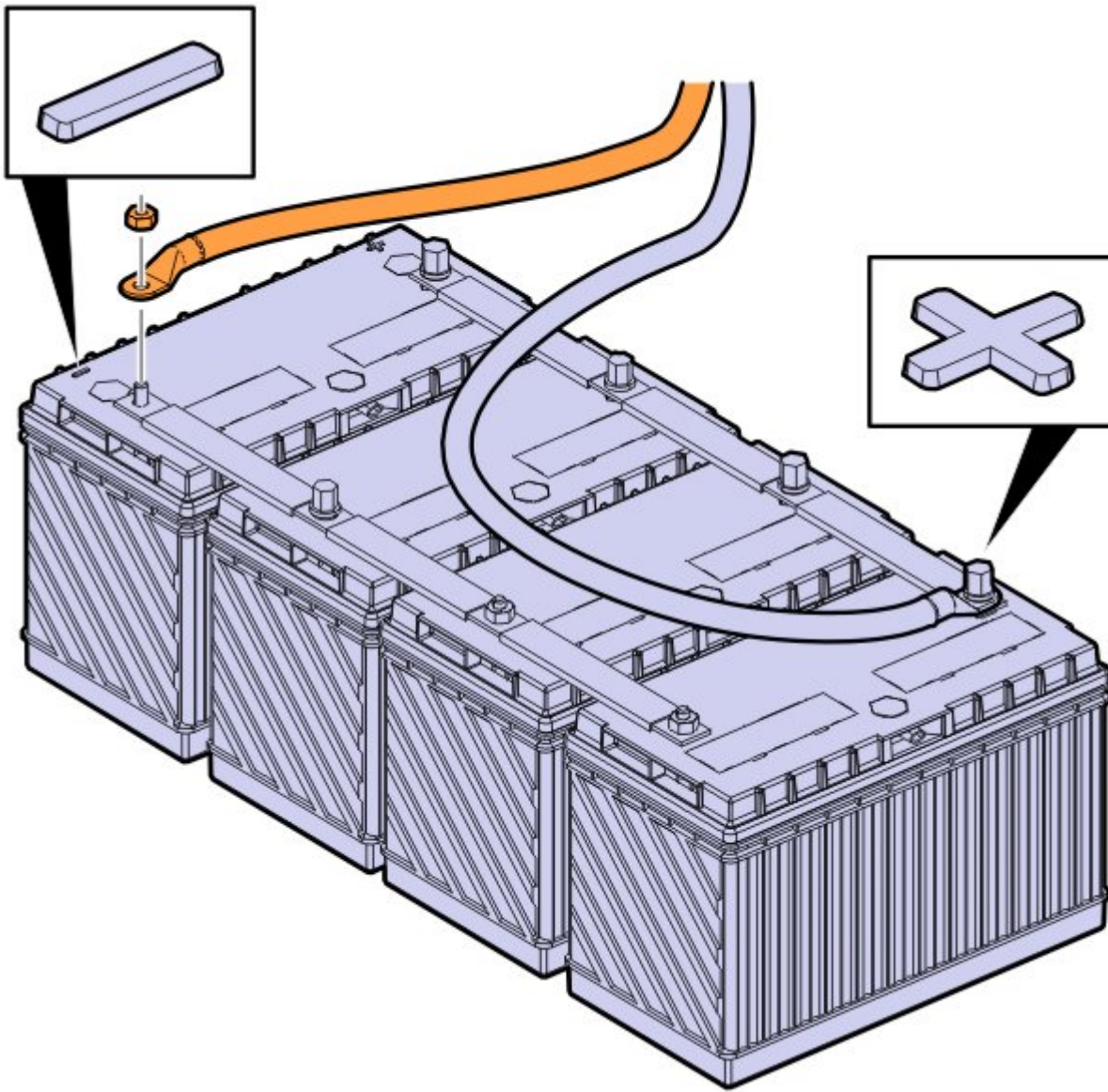
2 Apply the parking brake.

3 Place the gear lever in neutral.

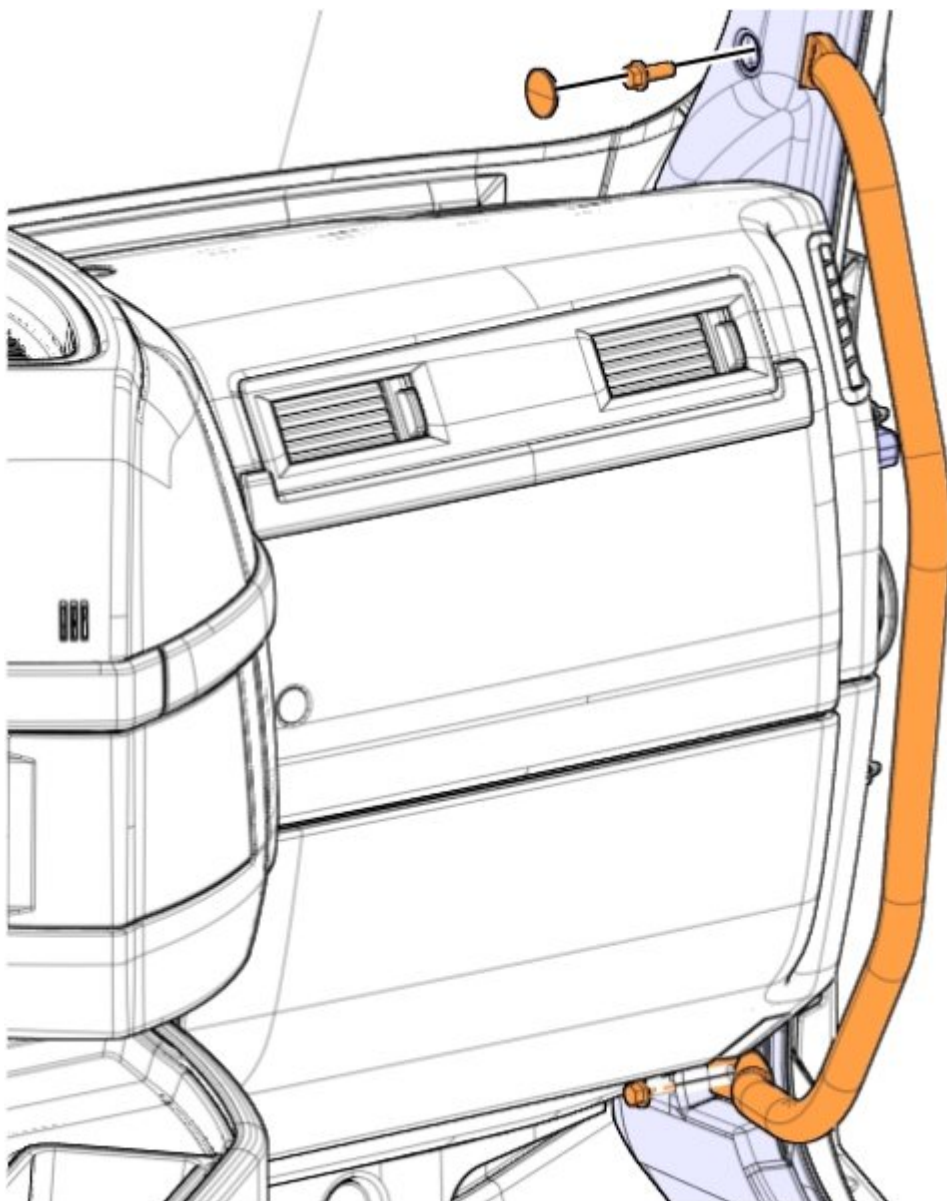
4 Install the wheel chocks.



5 Disconnect the cable from the battery's negative terminal.

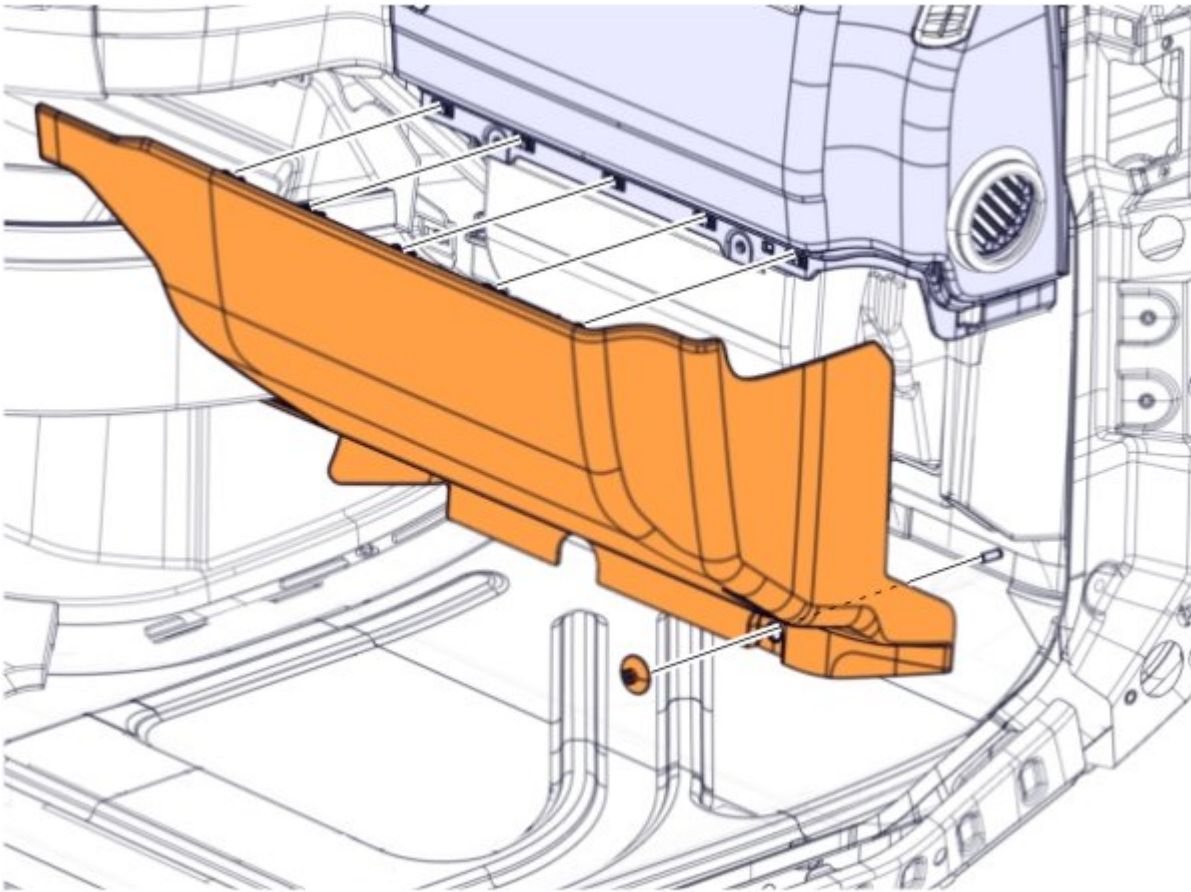


- | | |
|---|-------------------------|
| 6 | Remove the screw cover. |
| 7 | Remove the screws. |
| 8 | Remove the handle. |

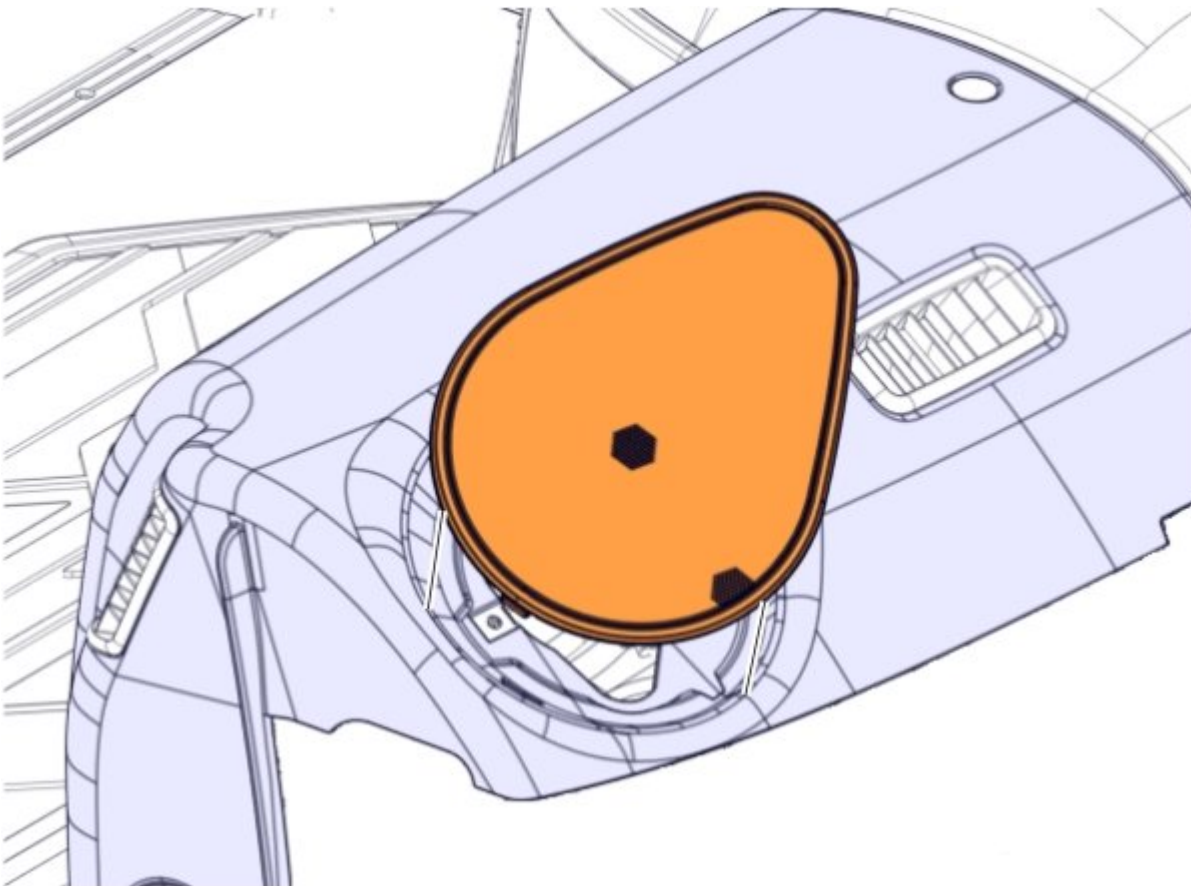


9	Remove the nut.
---	-----------------

10	Remove the panel.
----	-------------------

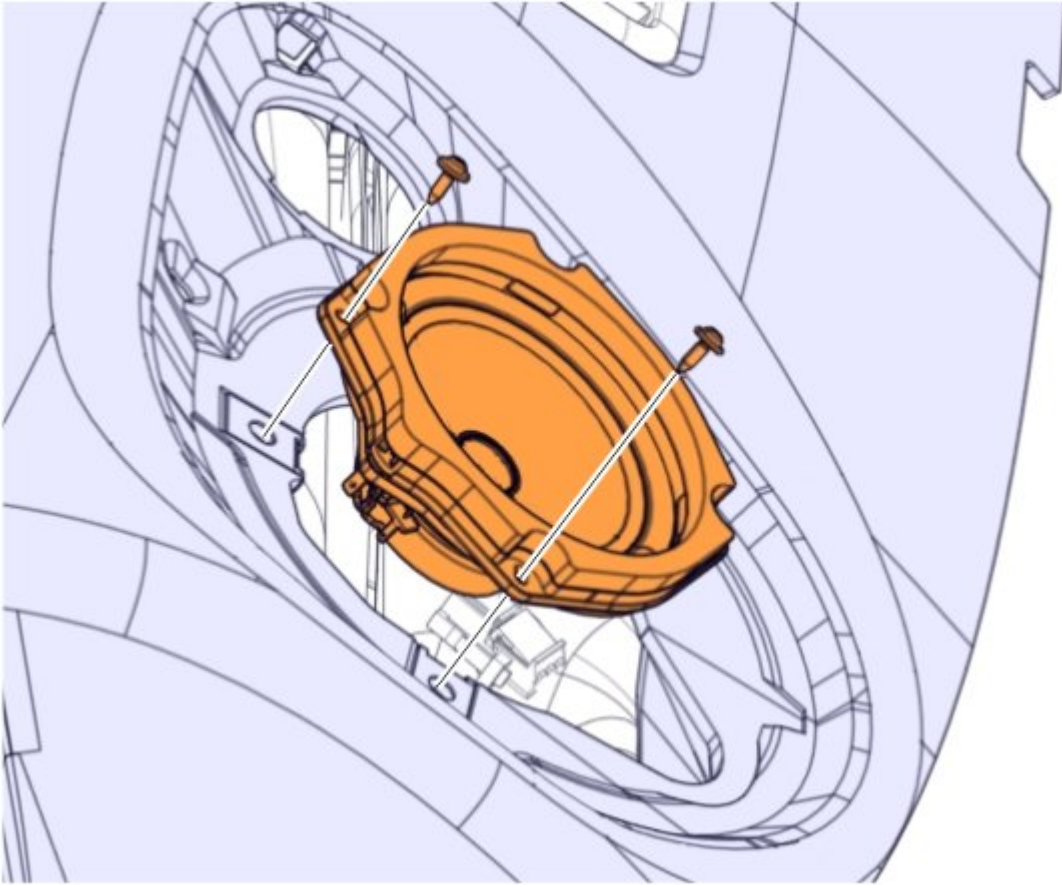


11 Remove the speaker grille.

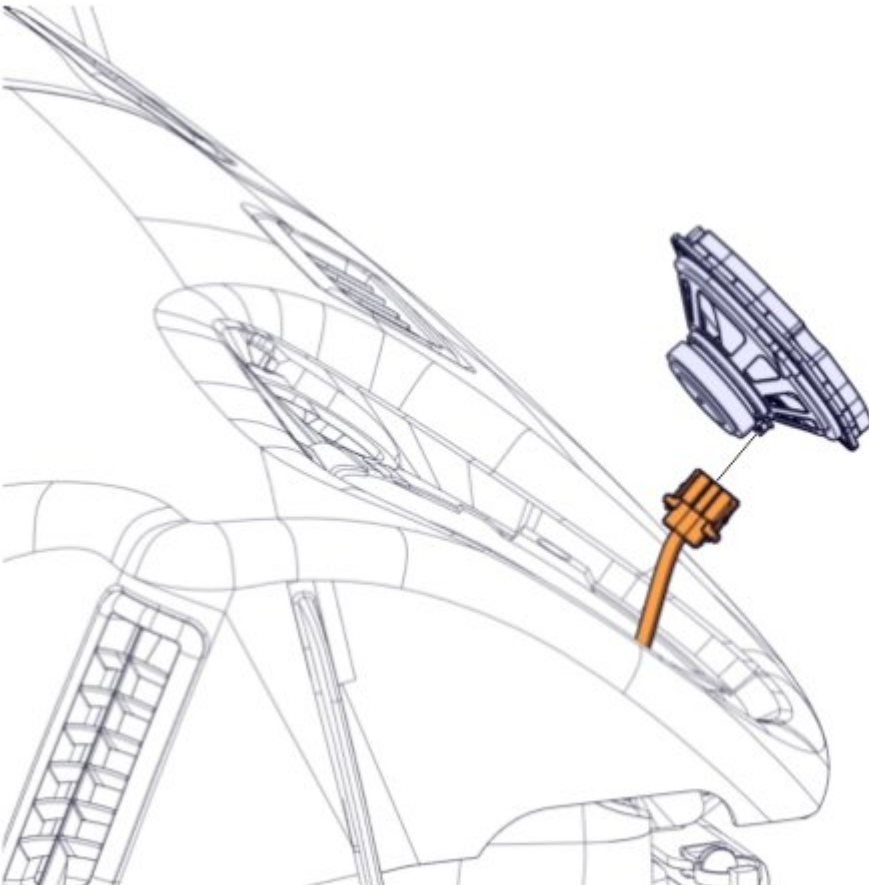


12 Remove the screws.

13 Remove the speaker.

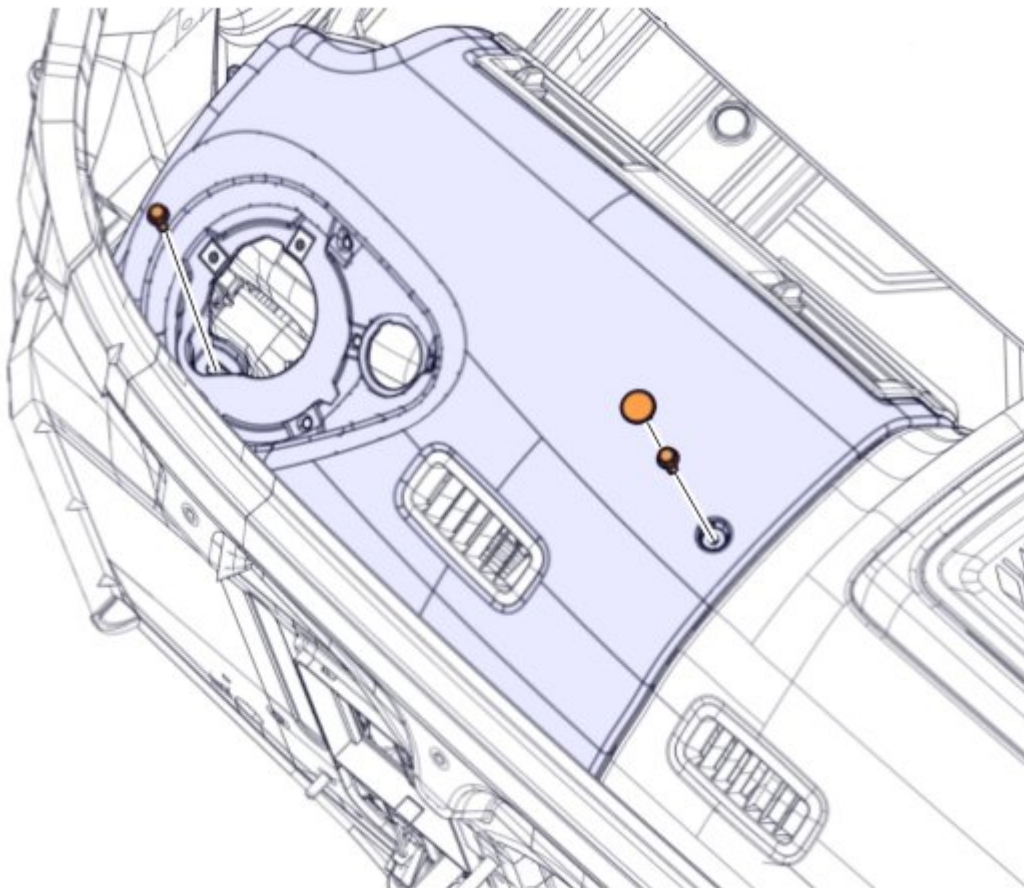


14 Disconnect the connector.



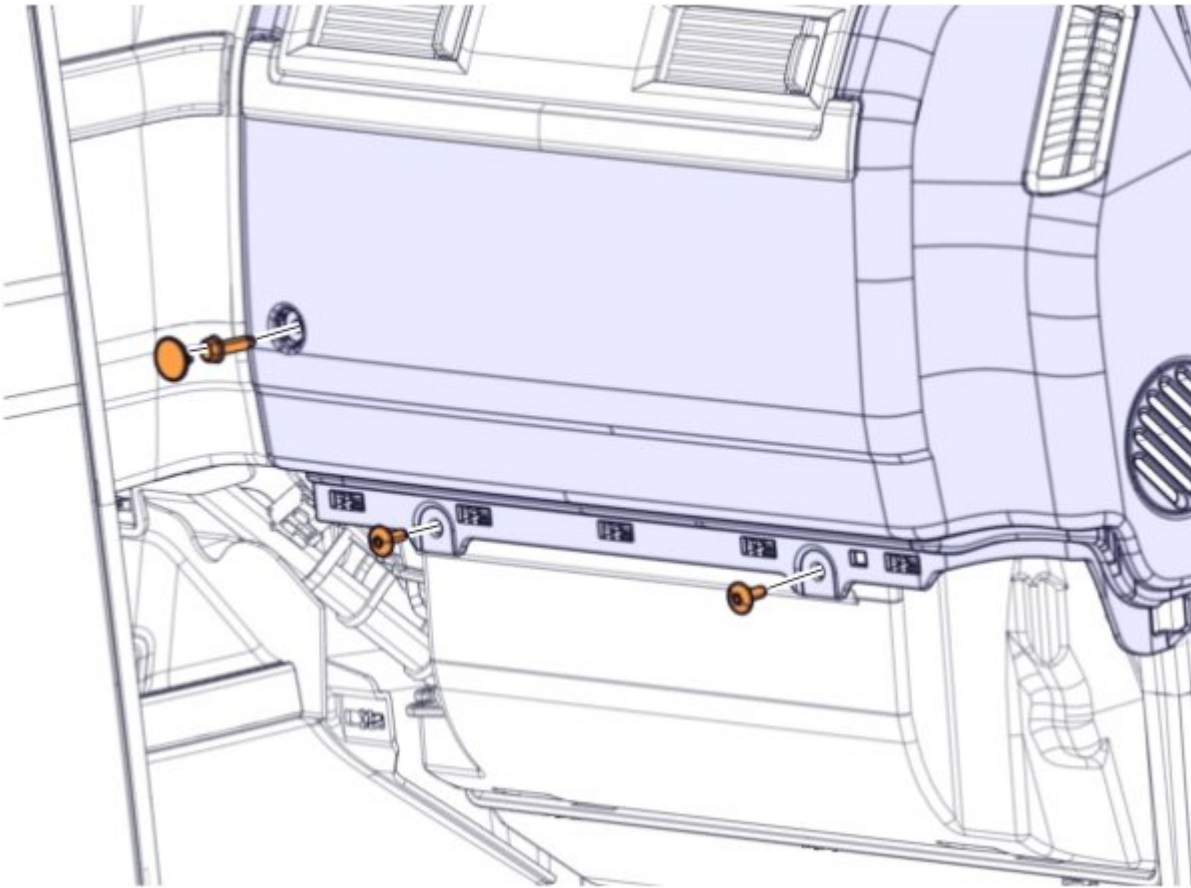
15	Remove the screw cover.
----	-------------------------

16	Remove the screws.
----	--------------------

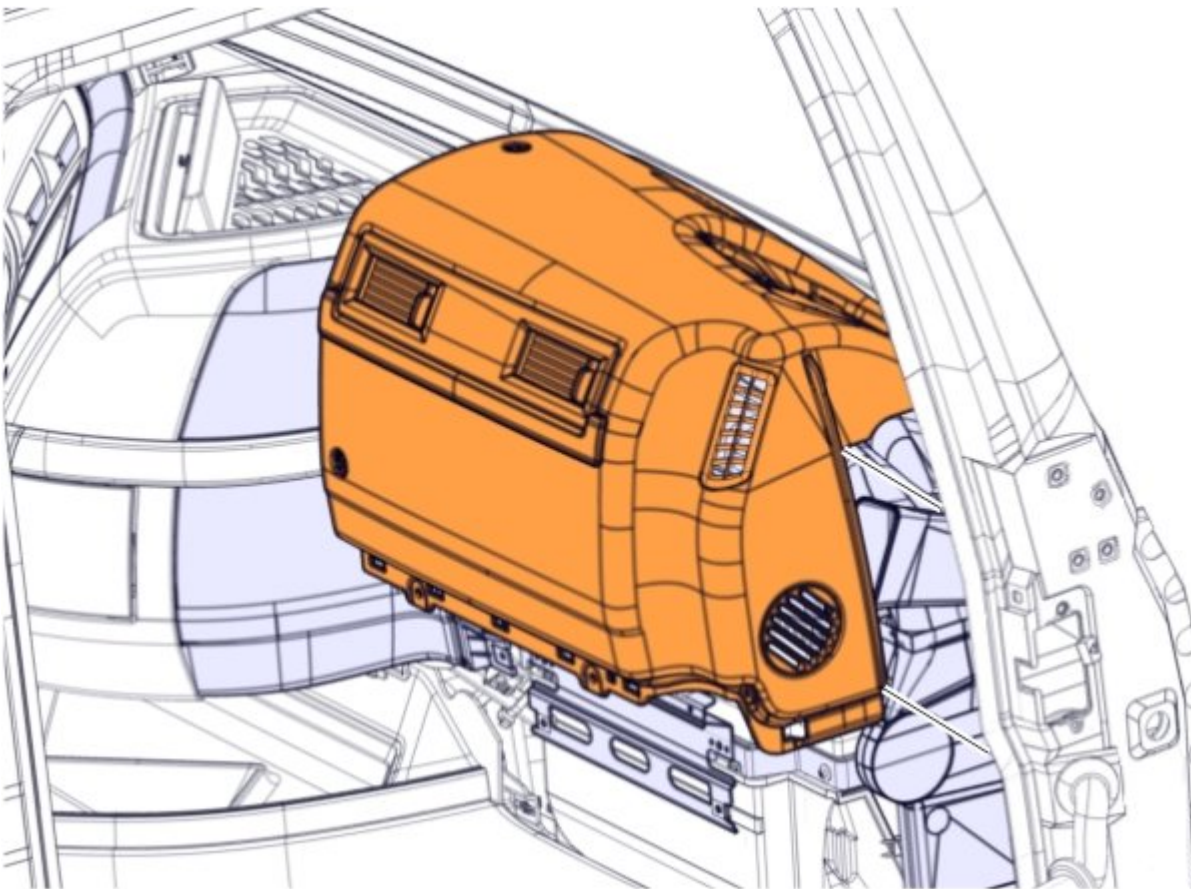


17	Remove the screw cover.
----	-------------------------

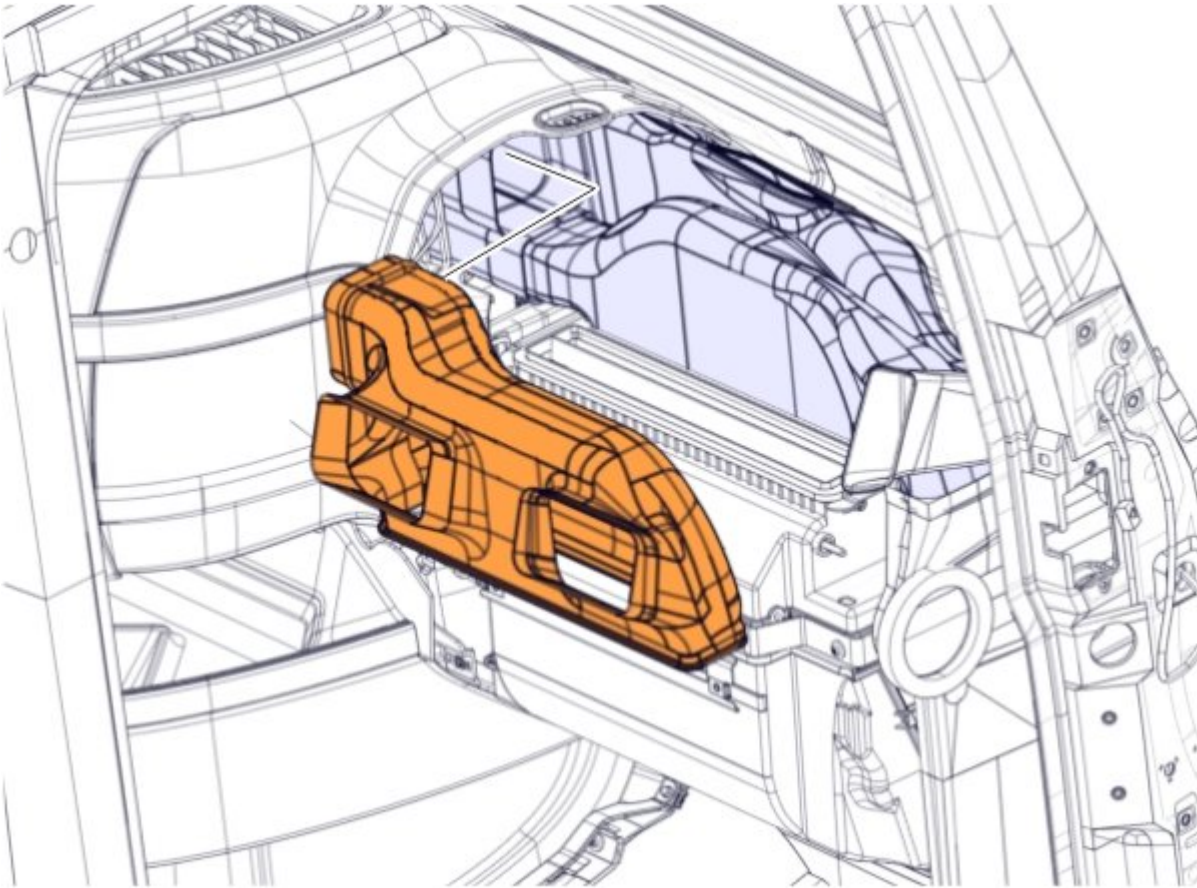
18	Remove the screws.
----	--------------------



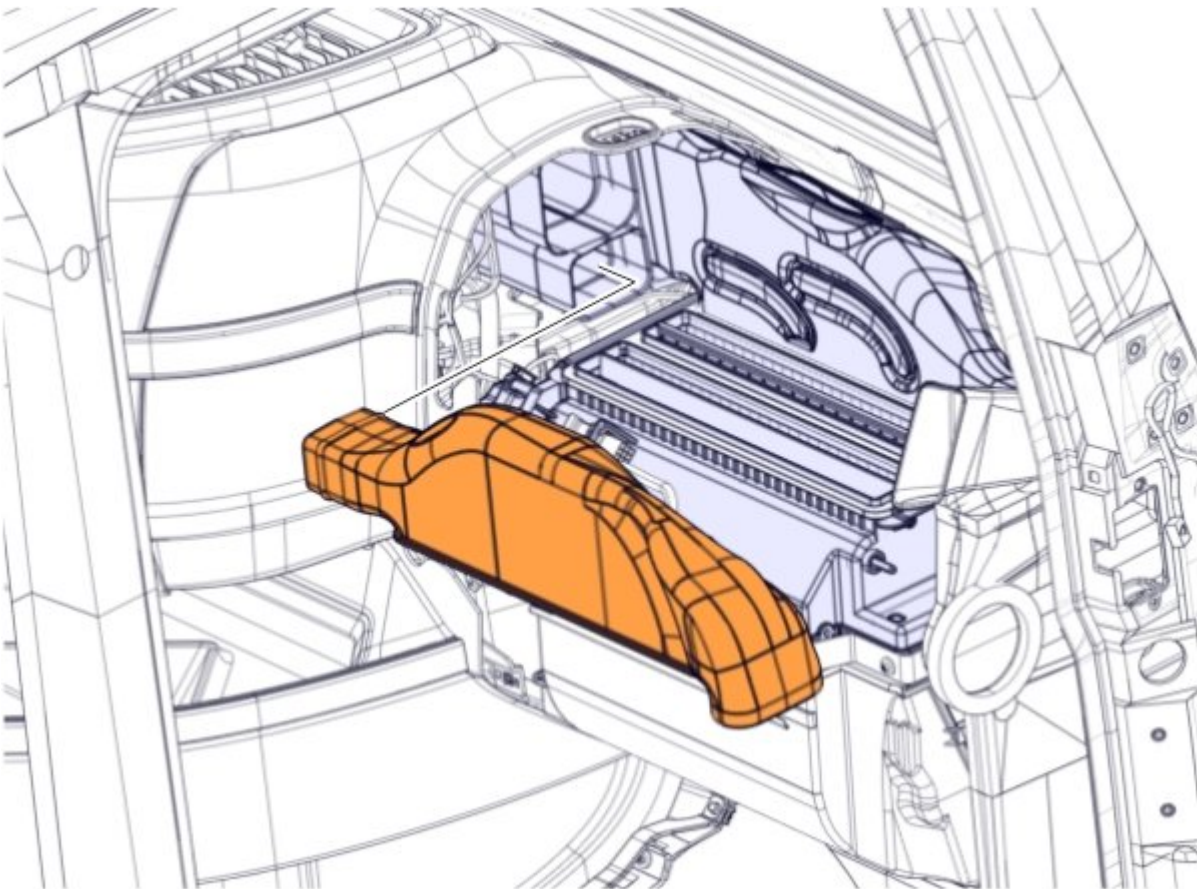
19 Remove the panel.



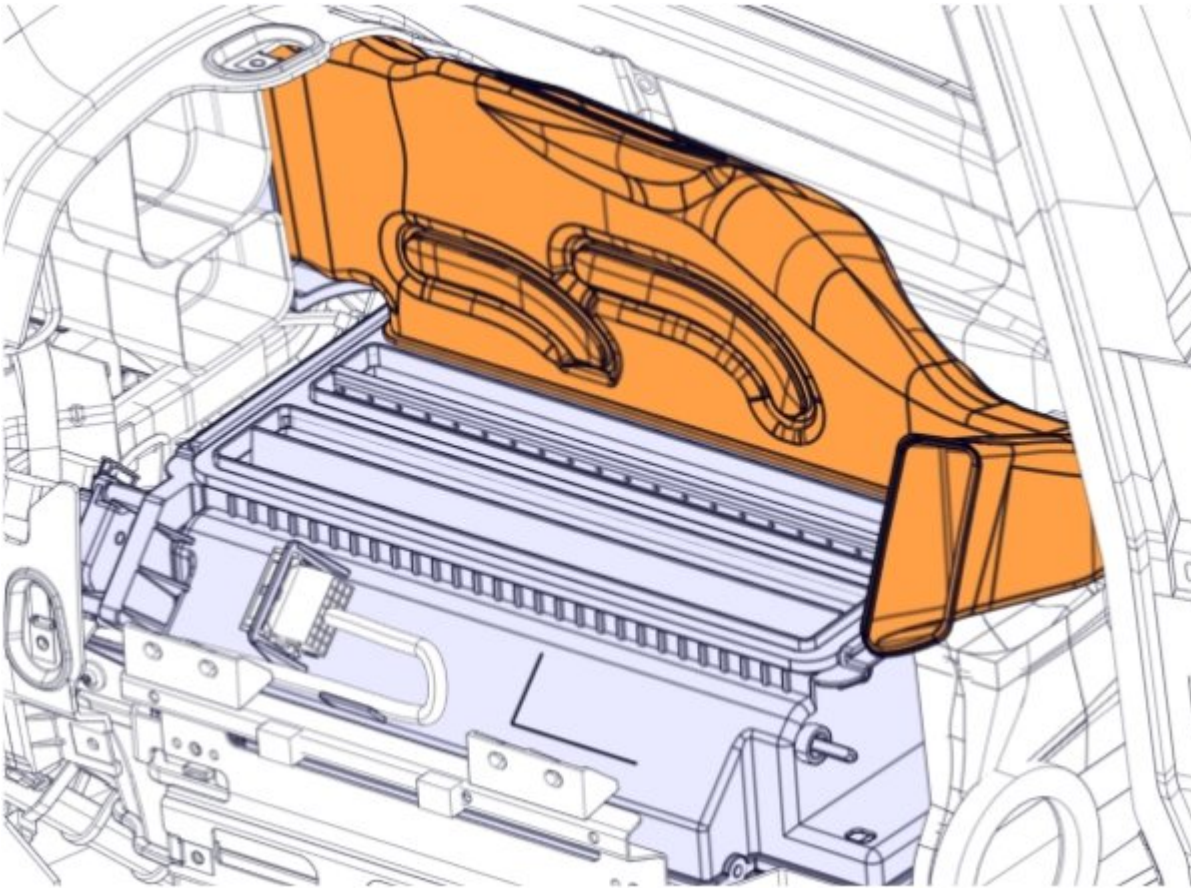
20 Remove the air duct.



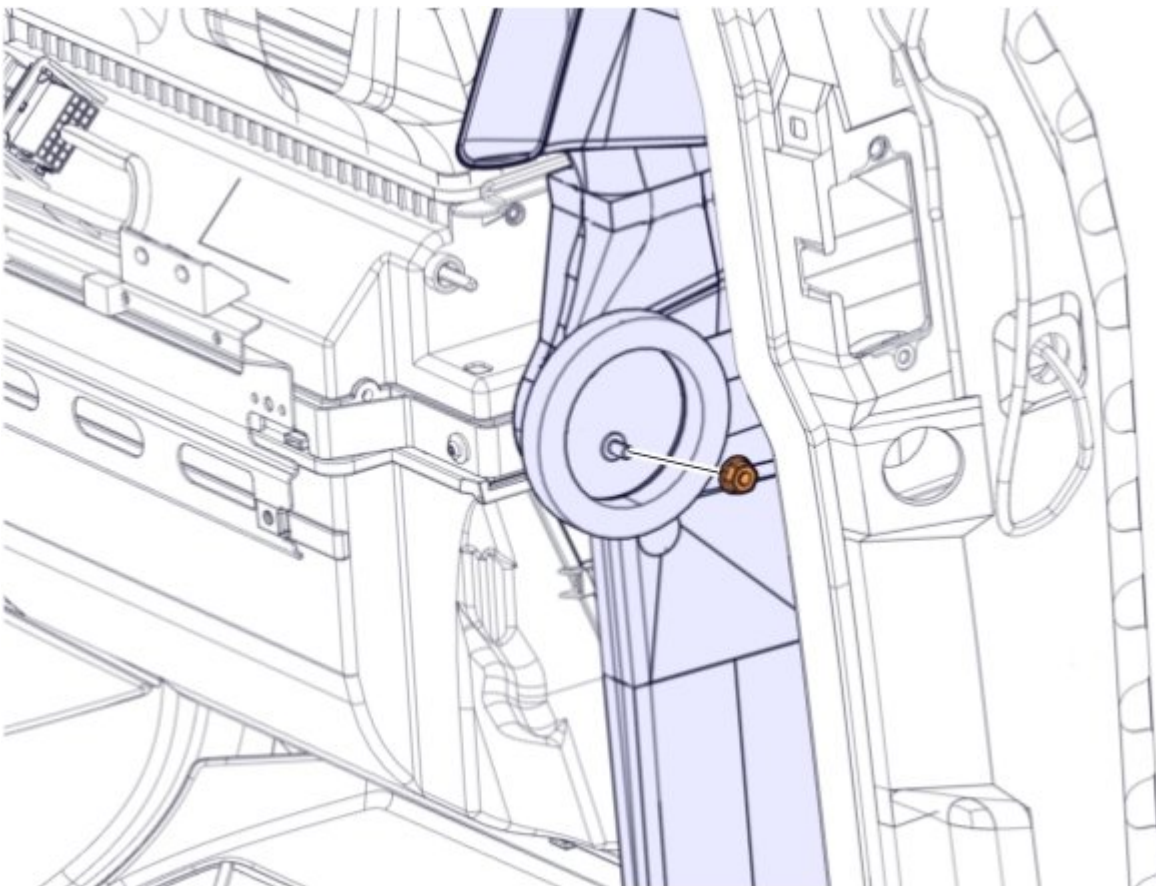
21	Remove the air duct.
-----------	----------------------



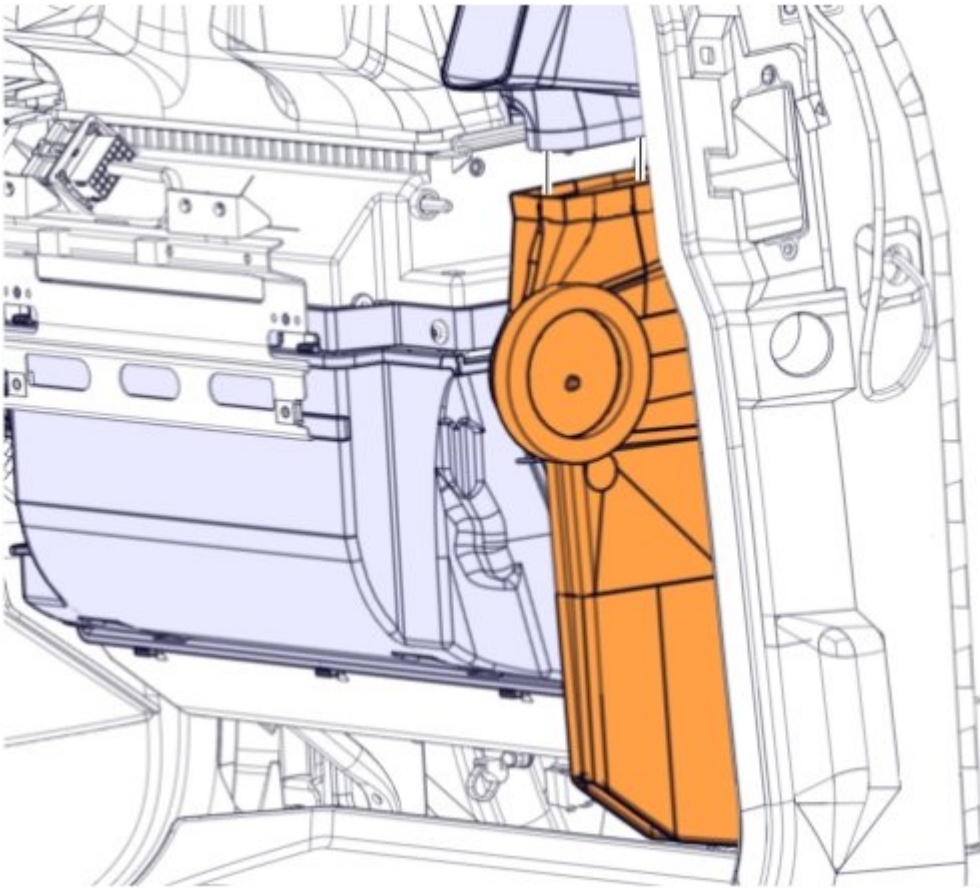
22	Remove the air duct.
-----------	----------------------



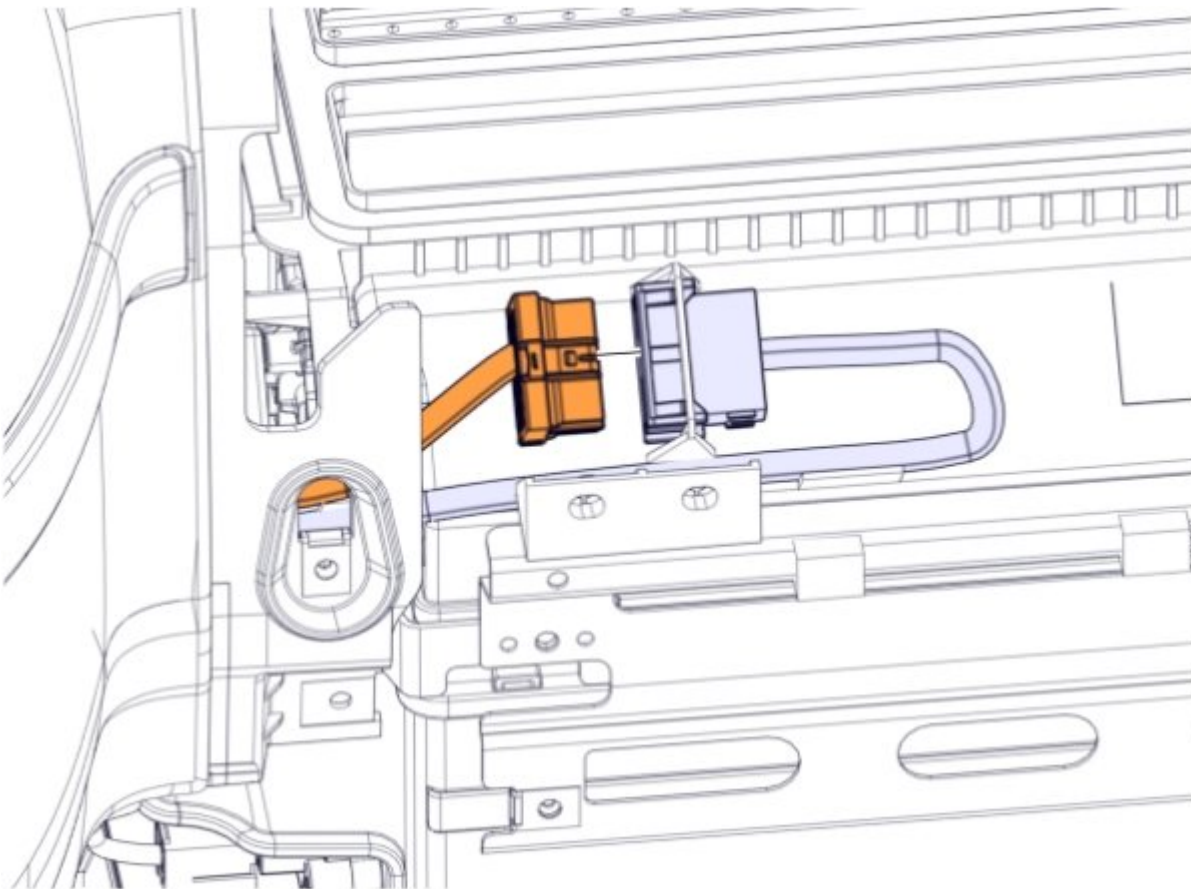
23	Remove the nut.
-----------	-----------------



24	Remove the air duct.
-----------	----------------------

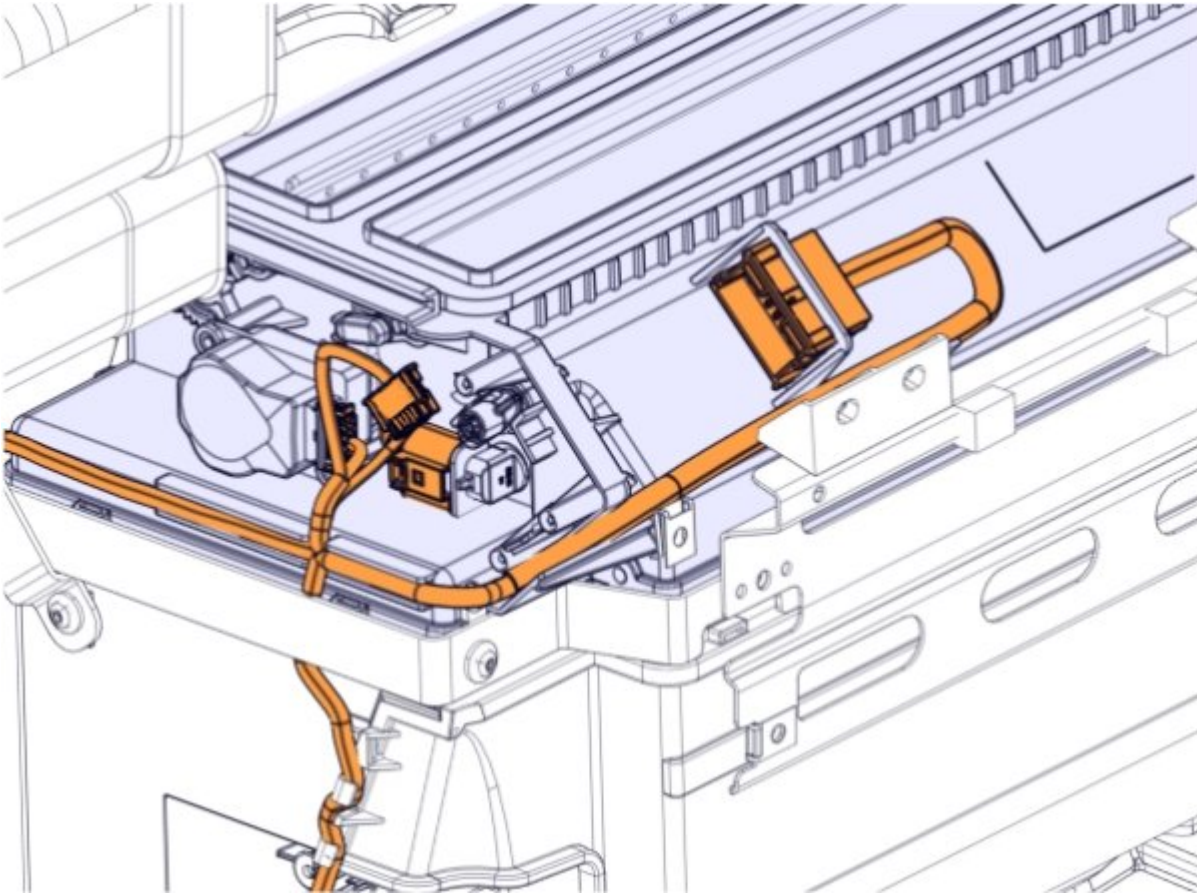


25	Disconnect the connector.
-----------	---------------------------

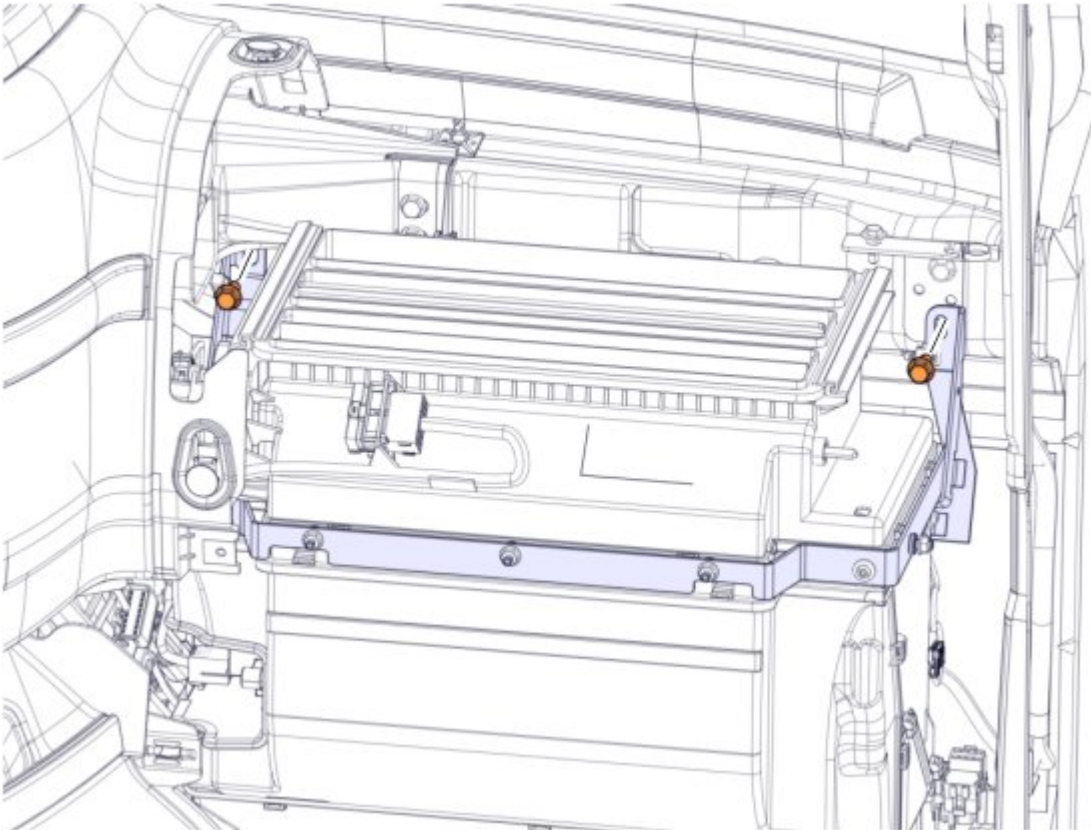


26	Disconnect the connectors.
-----------	----------------------------

27 Remove the harness.



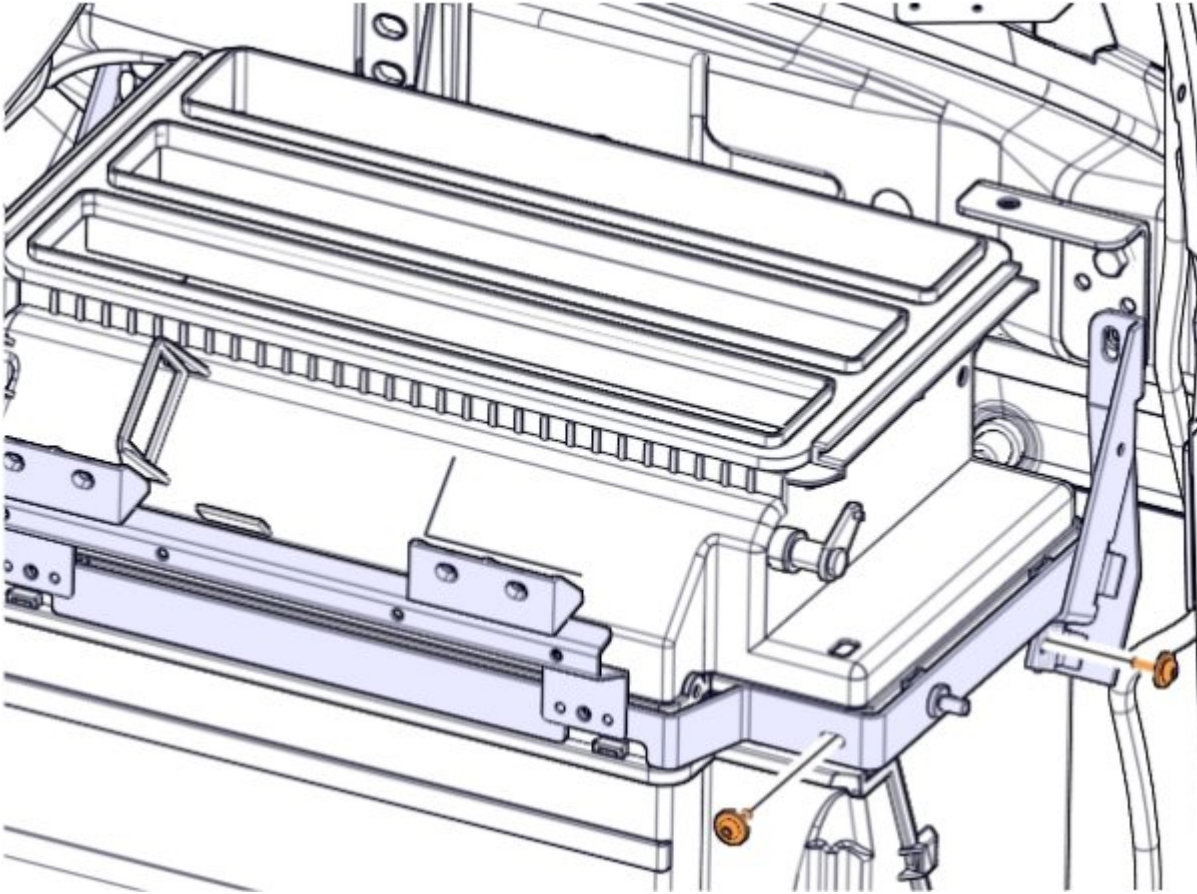
28 Remove the screws.



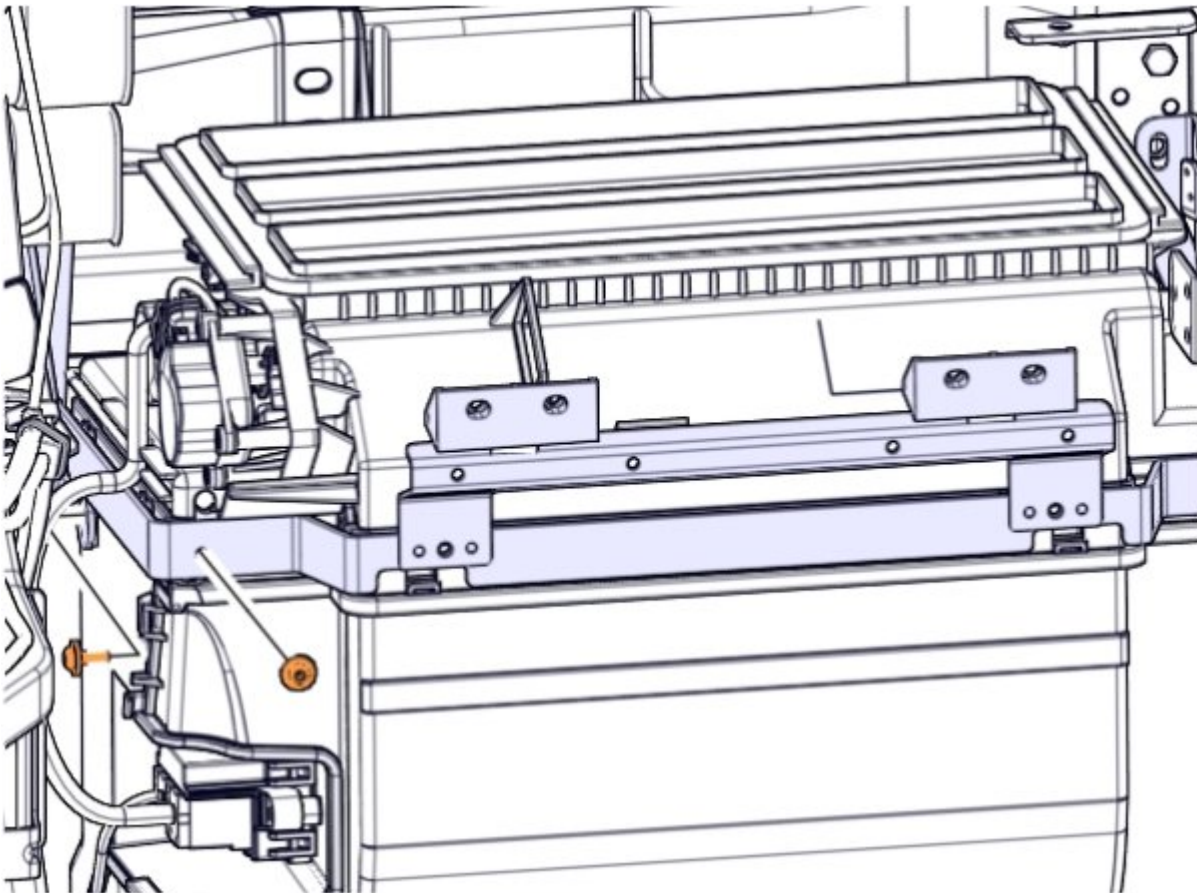
29 Remove the screws.

Copyright to this documentation belongs to the Volvo Group. No reproduction, copying, change, amendment or other similar disposal is entitled without prior written consent by the Volvo Group

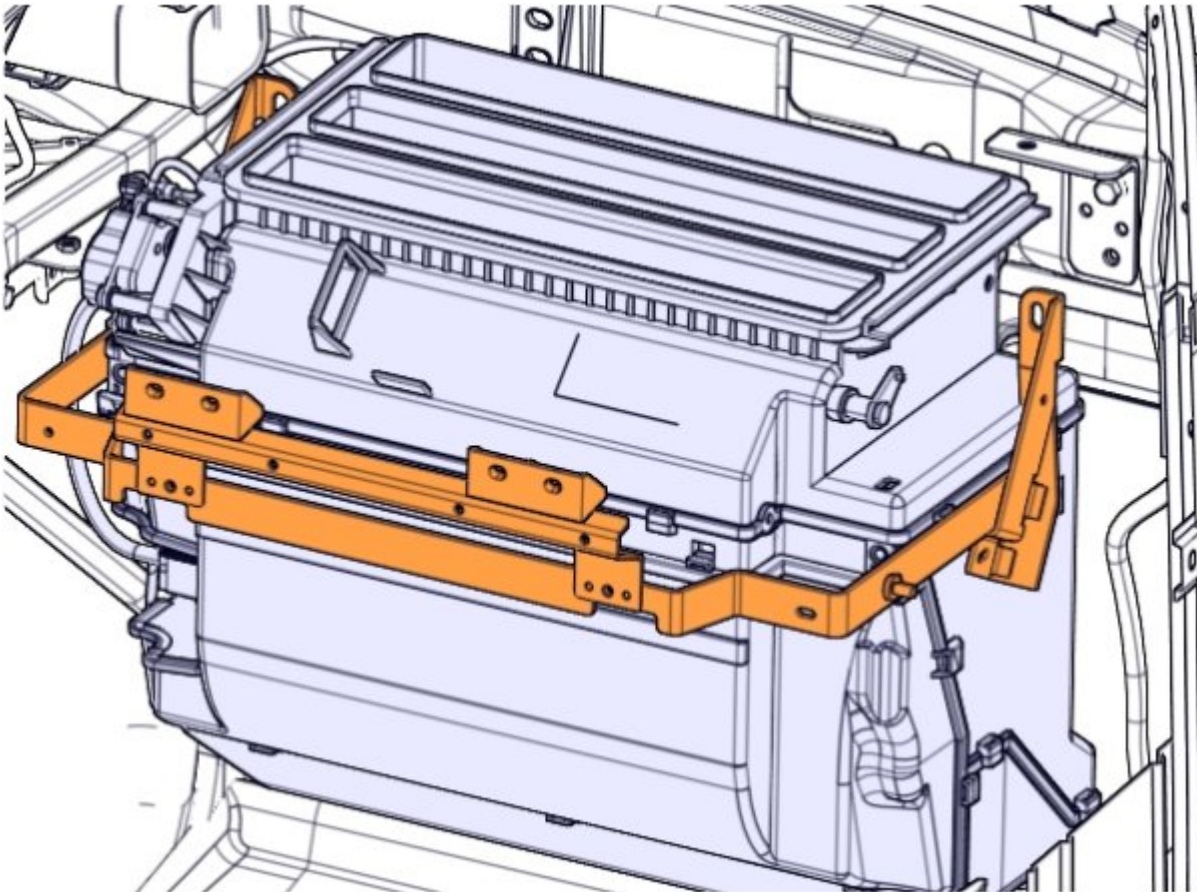
The information contained herein is current at the time of its original distribution, but is subject to change. The reader is advised that printed copies are uncontrolled.



30 Remove the screws.

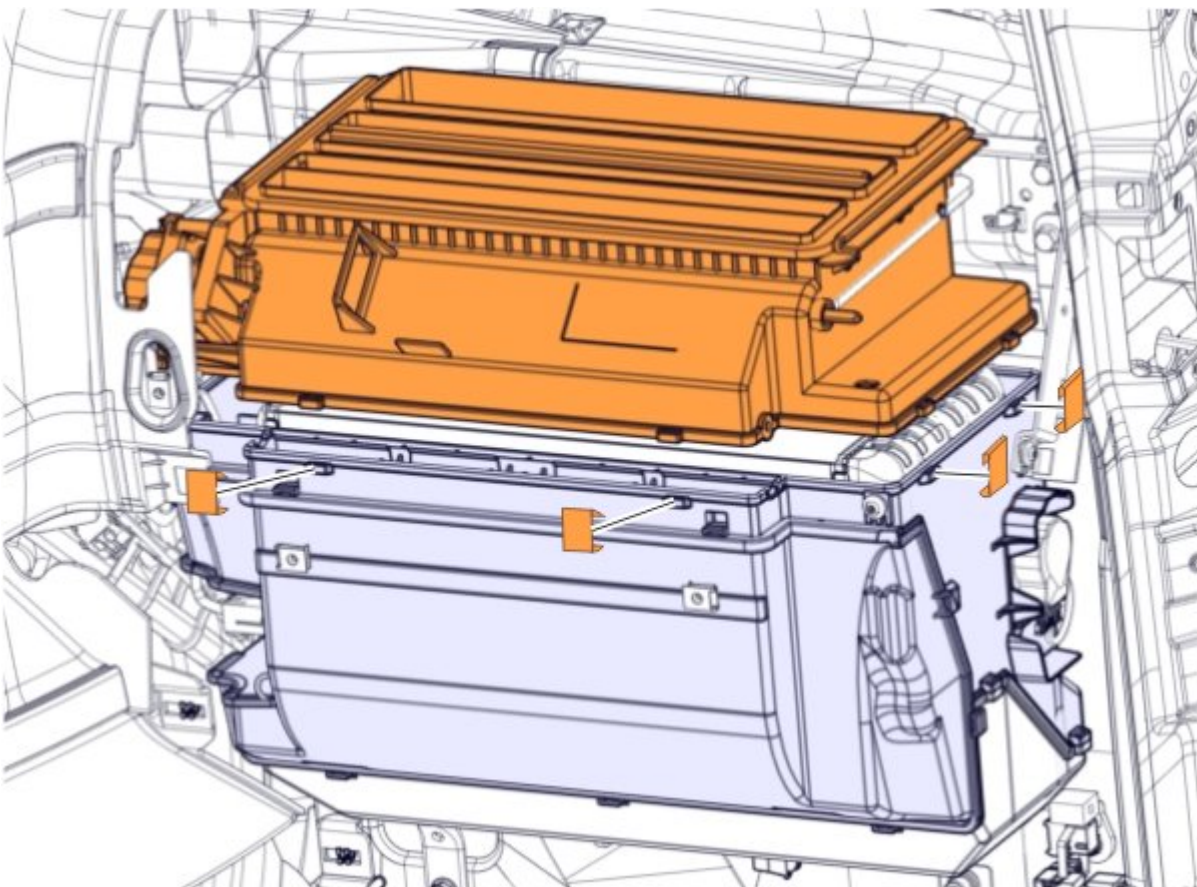


31 Remove the bracket.

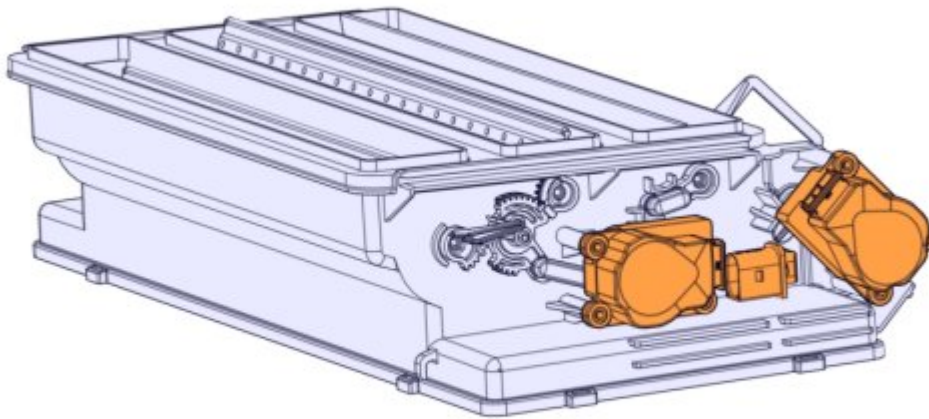


32	Remove the retainer clips.
-----------	----------------------------

33	Remove the mode box.
-----------	----------------------

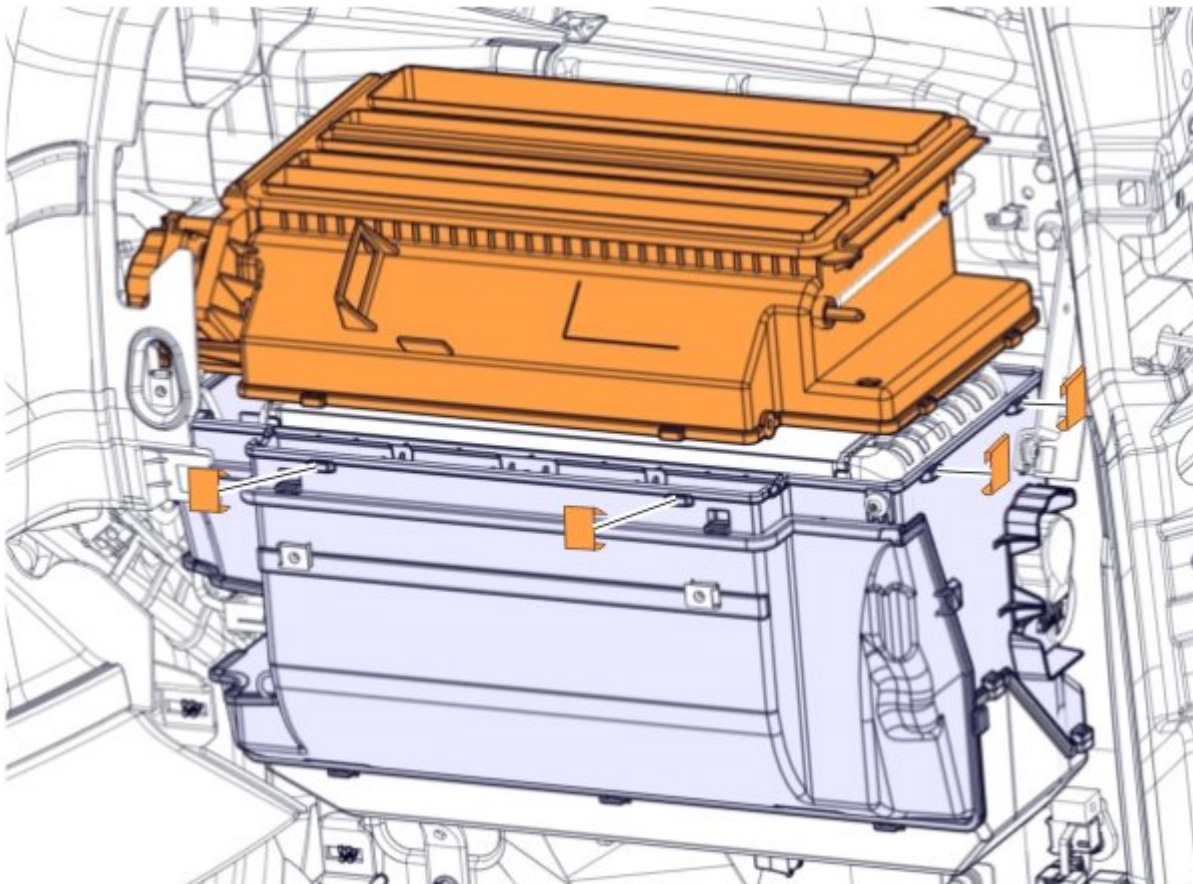


34	Transfer the stepper motors and temperature sensor.
----	---

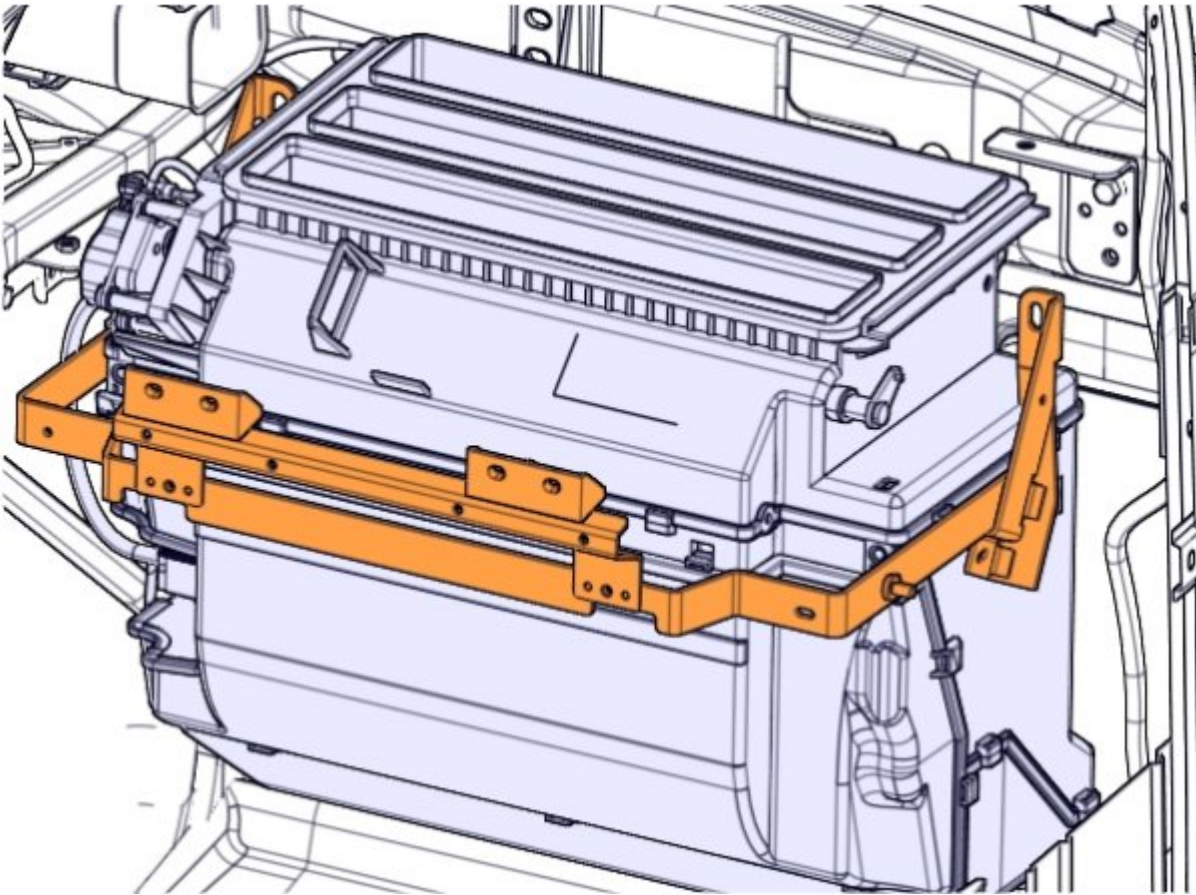


35	Install the mode box.
----	-----------------------

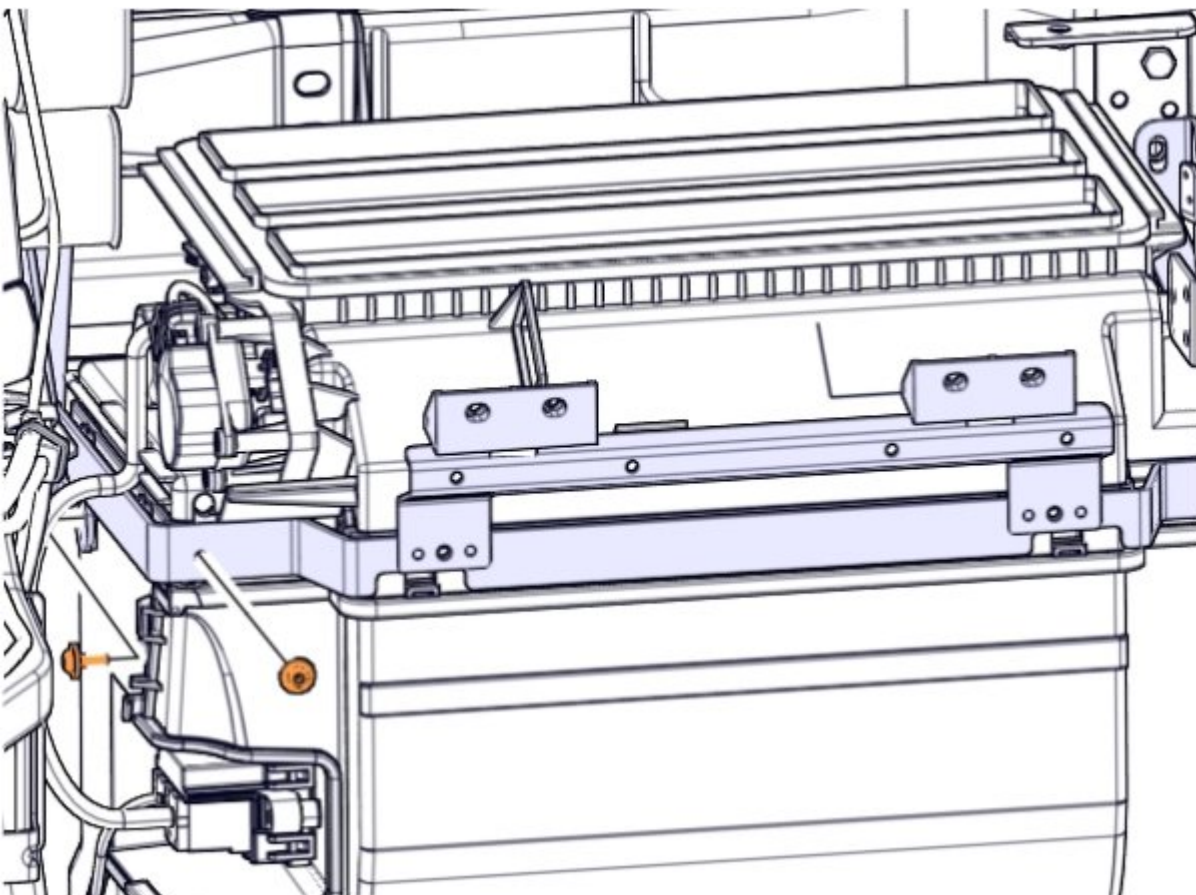
36	Install the retainer clips.
----	-----------------------------



37 Install the bracket.



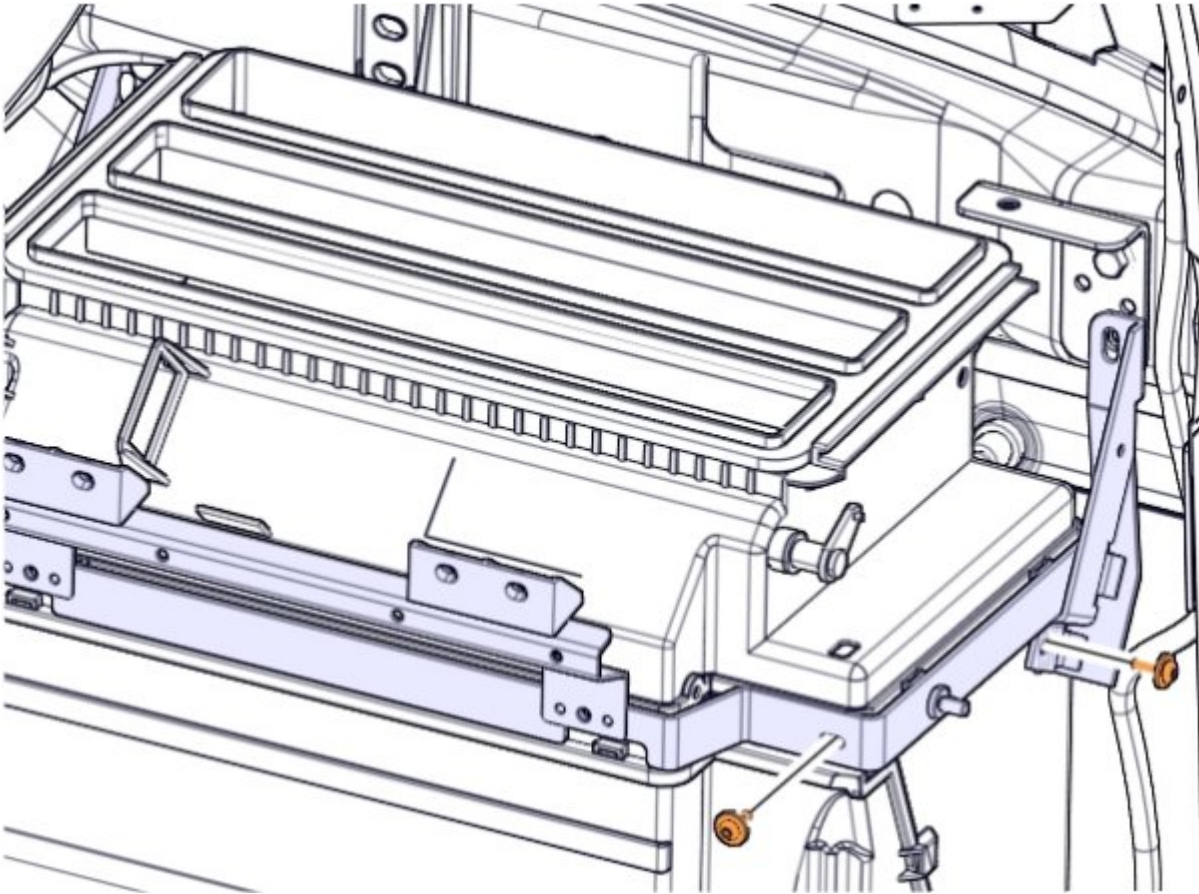
38 Install the screws.



Copyright to this documentation belongs to the Volvo Group. No reproduction, copying, change, amendment or other similar disposal is entitled without prior written consent by the Volvo Group

The information contained herein is current at the time of its original distribution, but is subject to change. The reader is advised that printed copies are uncontrolled.

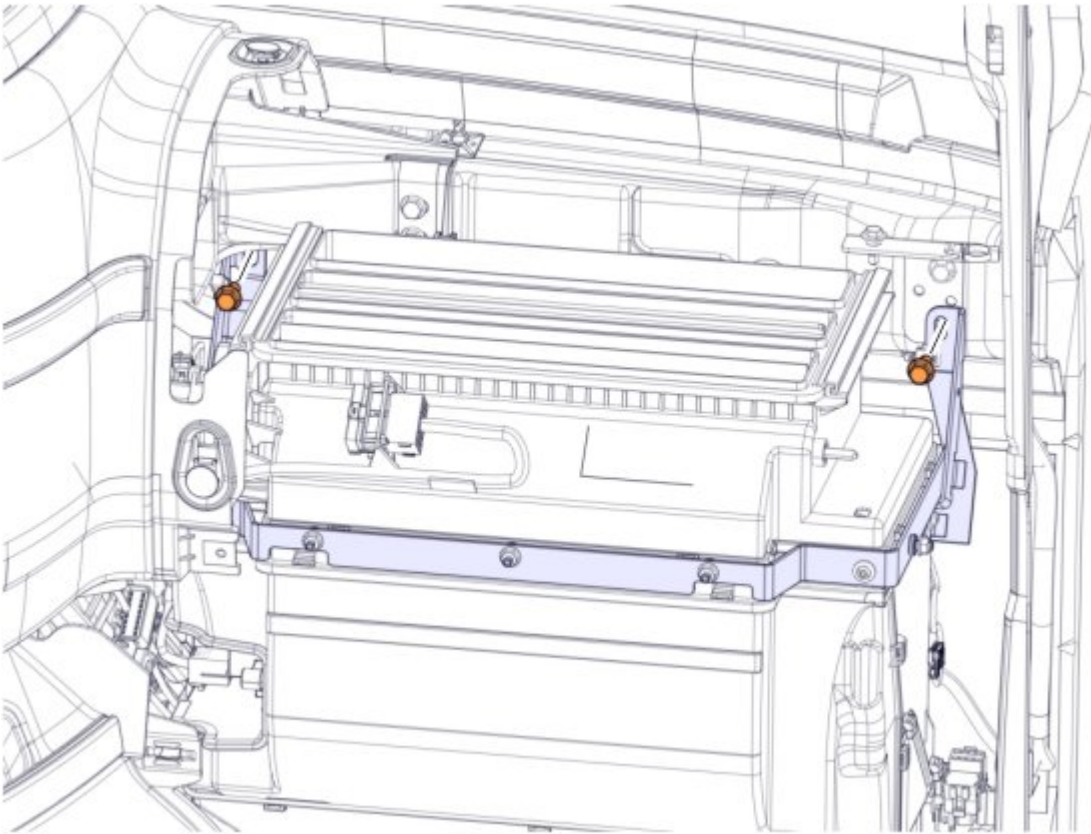
39 Install the screws.



40	Torque tighten the screws.	
	Tightening torque	
	Screw	M5
		3.1 ±0.8 Nm (27 ±7 lb _f ·in)

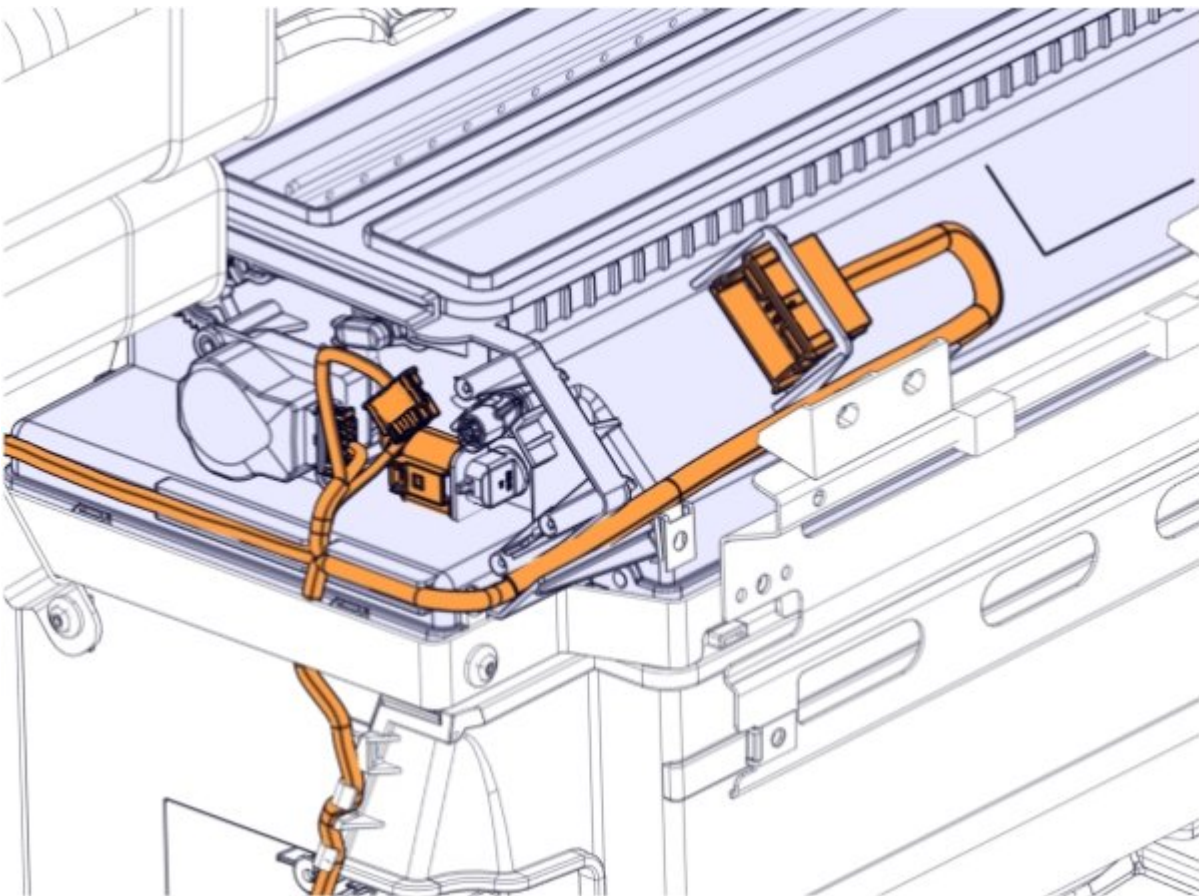
41 Install the screws.

42	Torque tighten the screws.	
	Tightening torque	
	Screw	M8
		24 ±4 Nm (18 ±3 lb _f ·ft)



43	Install the harness.
-----------	----------------------

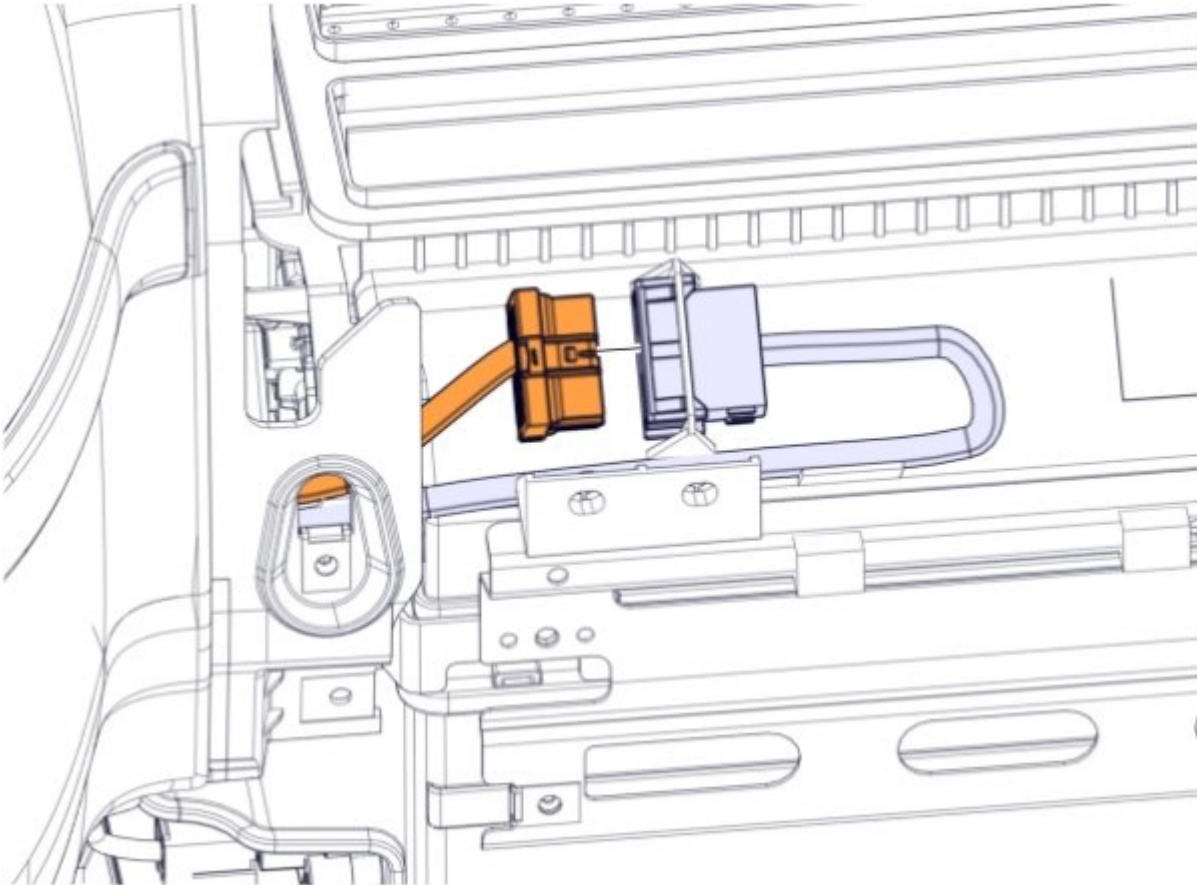
44	Connect the connectors.
-----------	-------------------------



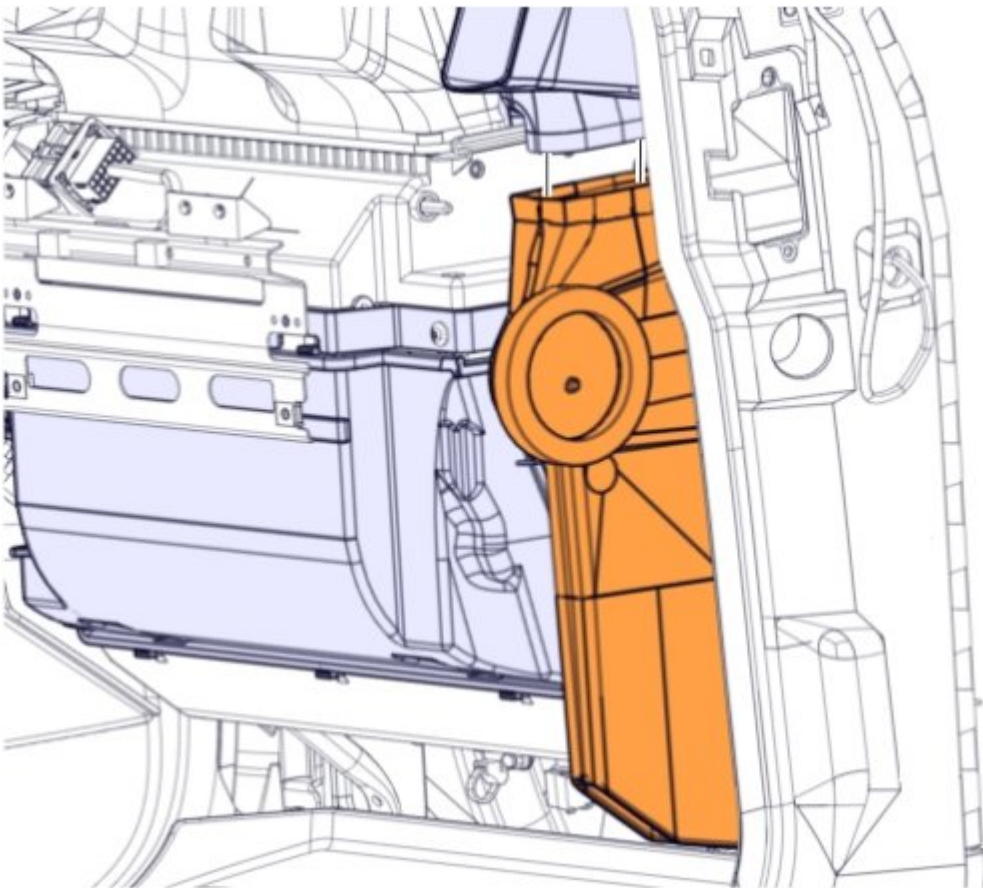
45	Connect the connector.
-----------	------------------------

Copyright to this documentation belongs to the Volvo Group. No reproduction, copying, change, amendment or other similar disposal is entitled without prior written consent by the Volvo Group

The information contained herein is current at the time of its original distribution, but is subject to change. The reader is advised that printed copies are uncontrolled.



46 Install the air duct.

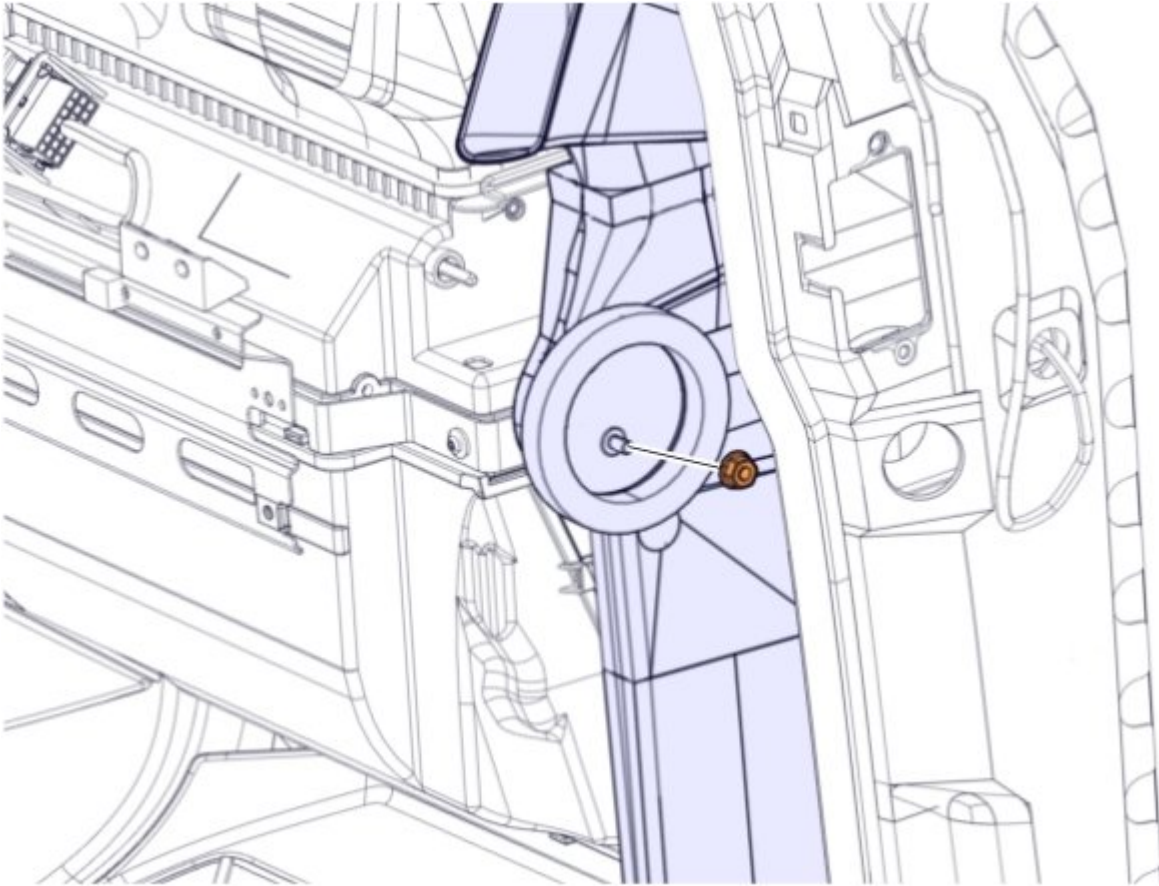


47 Install the nut.

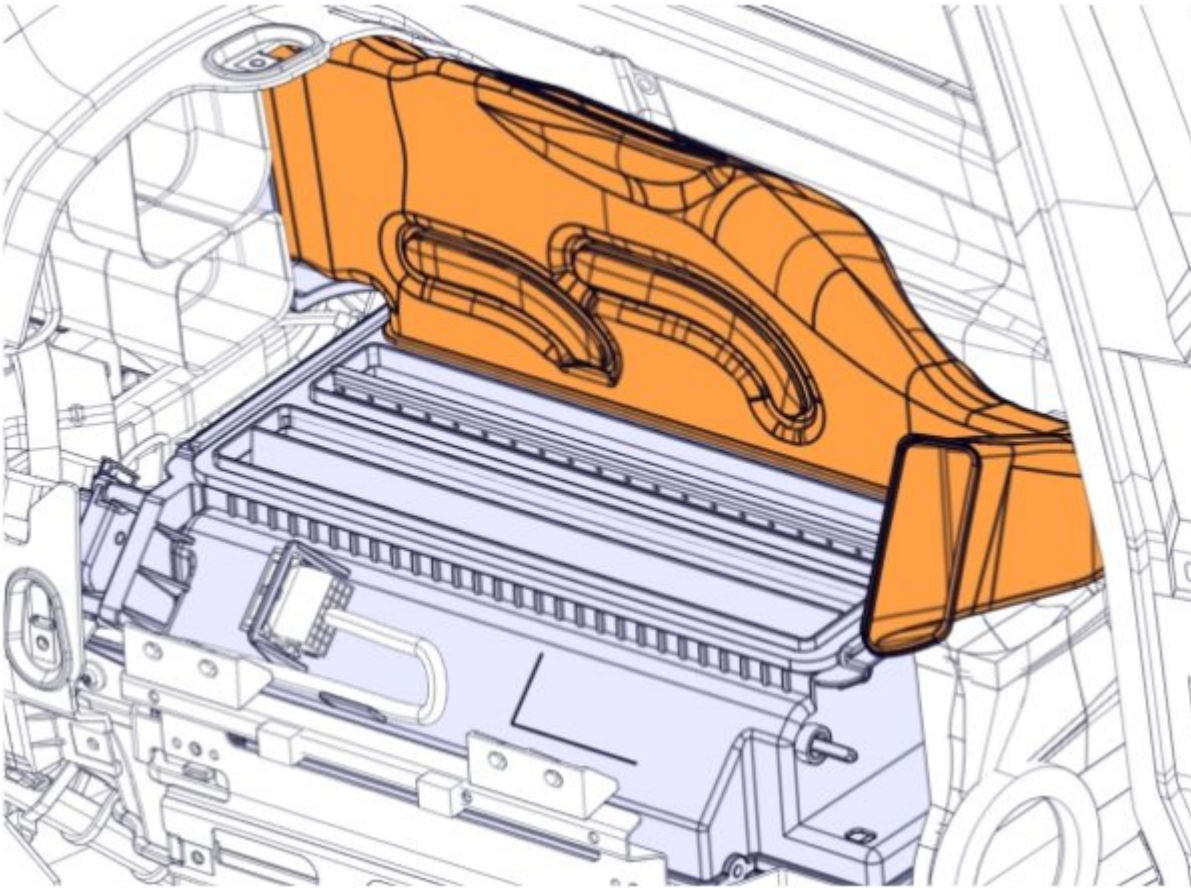
Copyright to this documentation belongs to the Volvo Group. No reproduction, copying, change, amendment or other similar disposal is entitled without prior written consent by the Volvo Group

The information contained herein is current at the time of its original distribution, but is subject to change. The reader is advised that printed copies are uncontrolled.

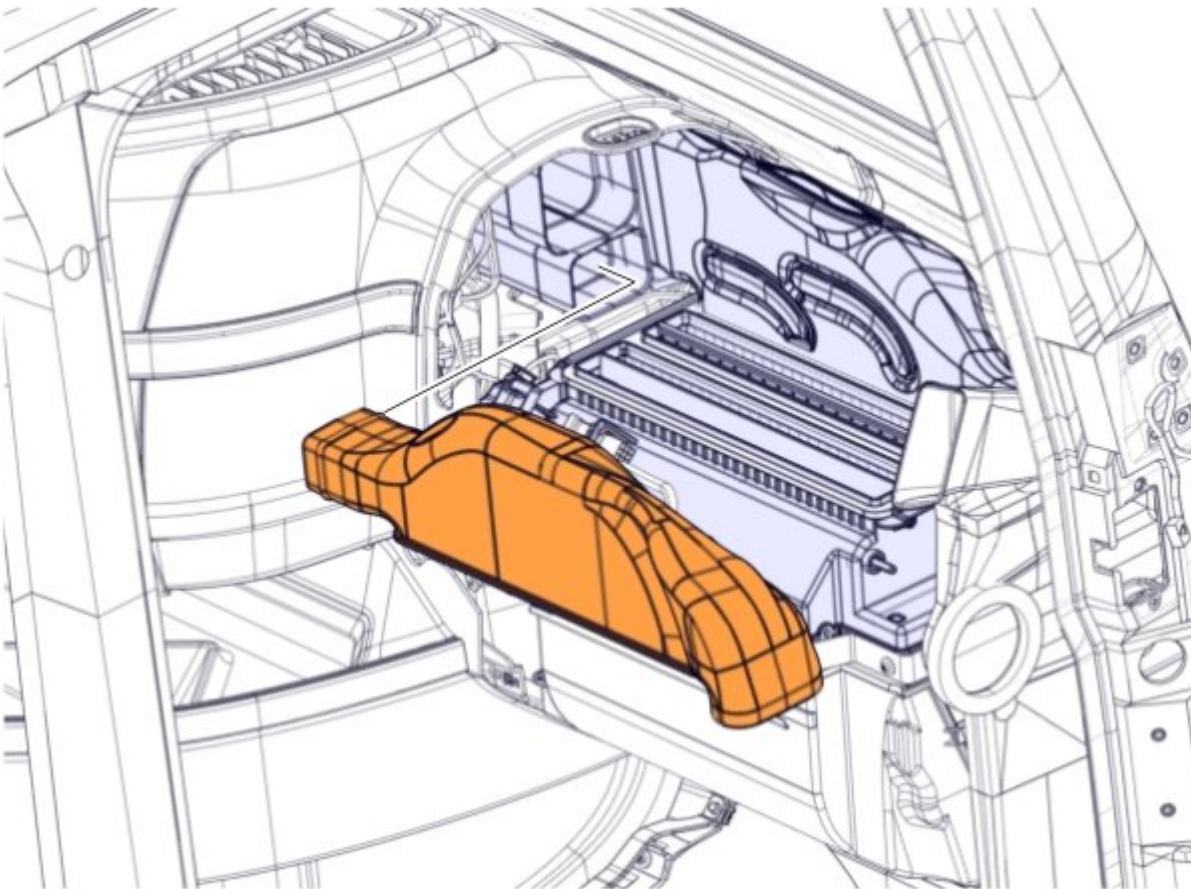
48	Torque tighten the nut.	
	Tightening torque	
	Screw	M5
		3.1 ±0.8 Nm (27 ±7 lb _f ·in)



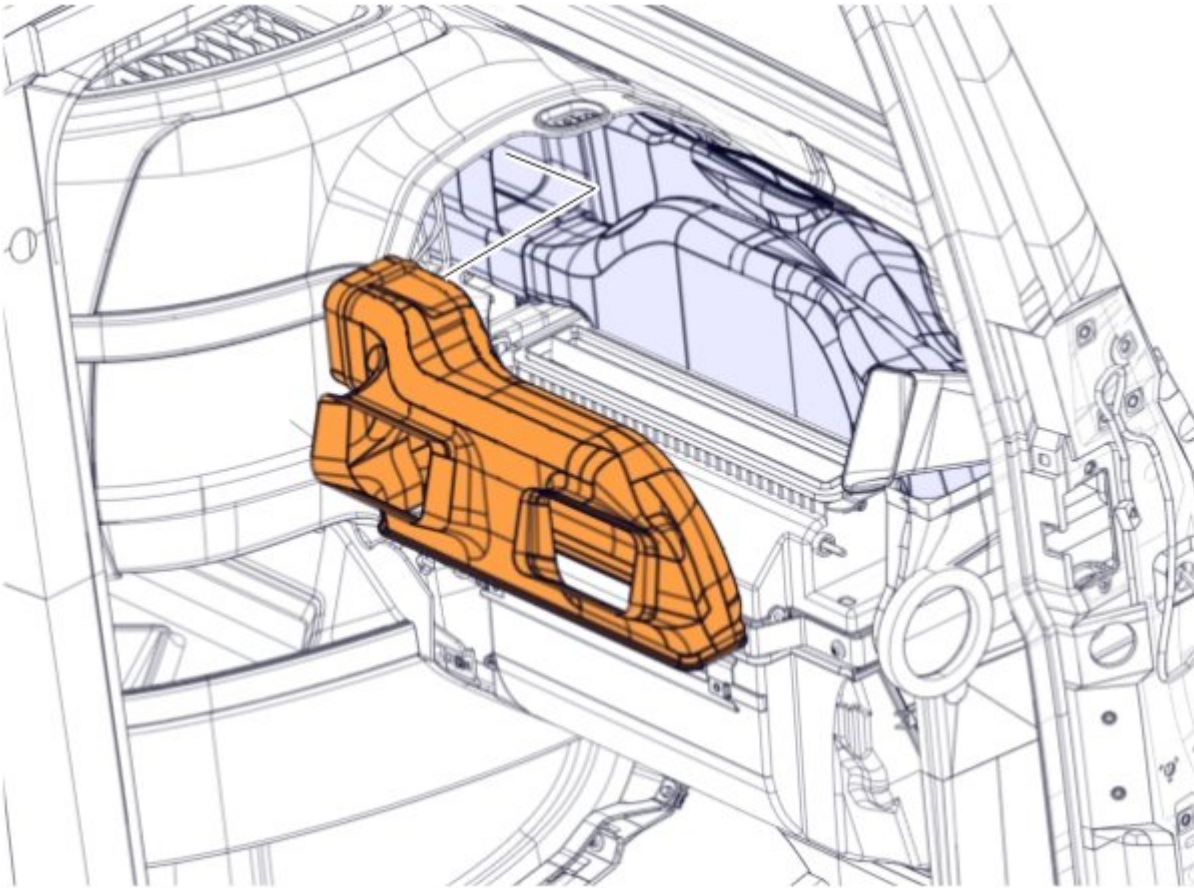
49	Install the air duct.
-----------	-----------------------



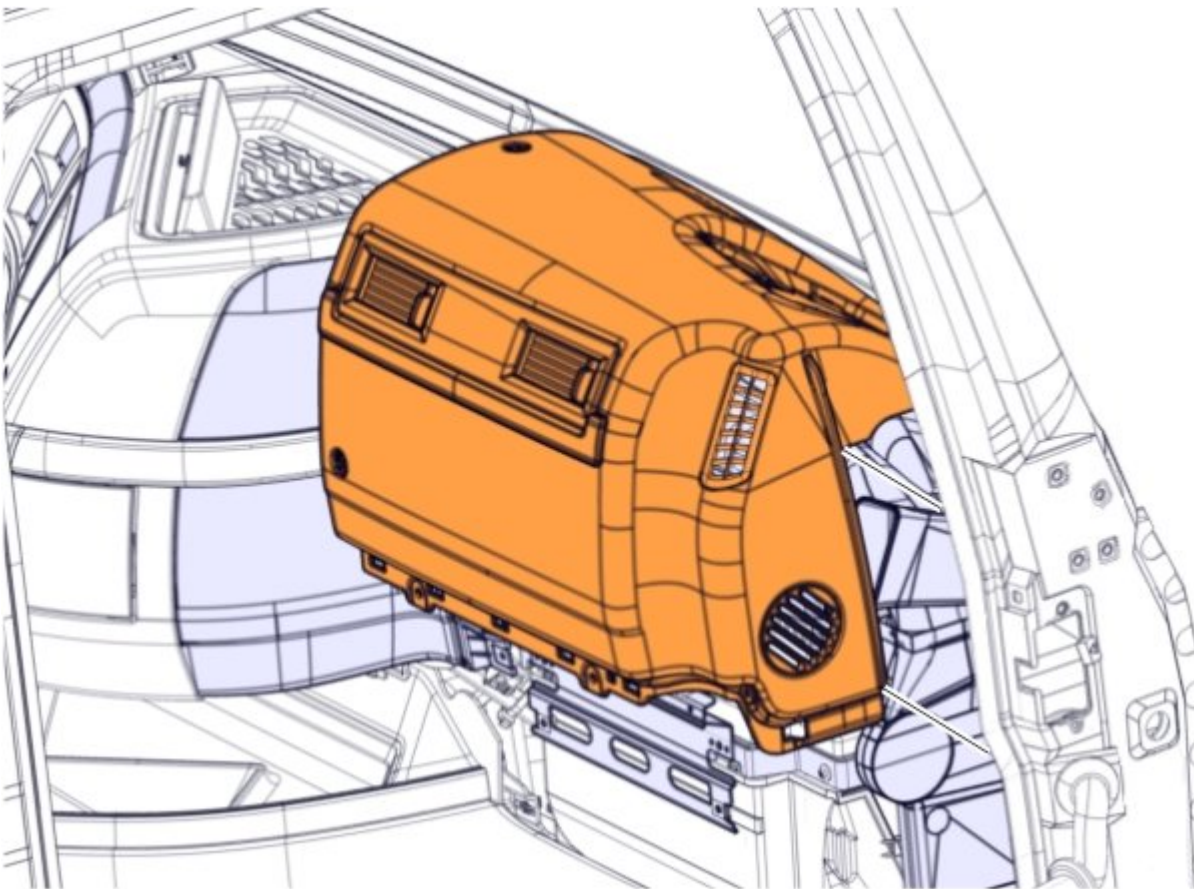
50 | Install the air duct.



51 | Install the air duct.



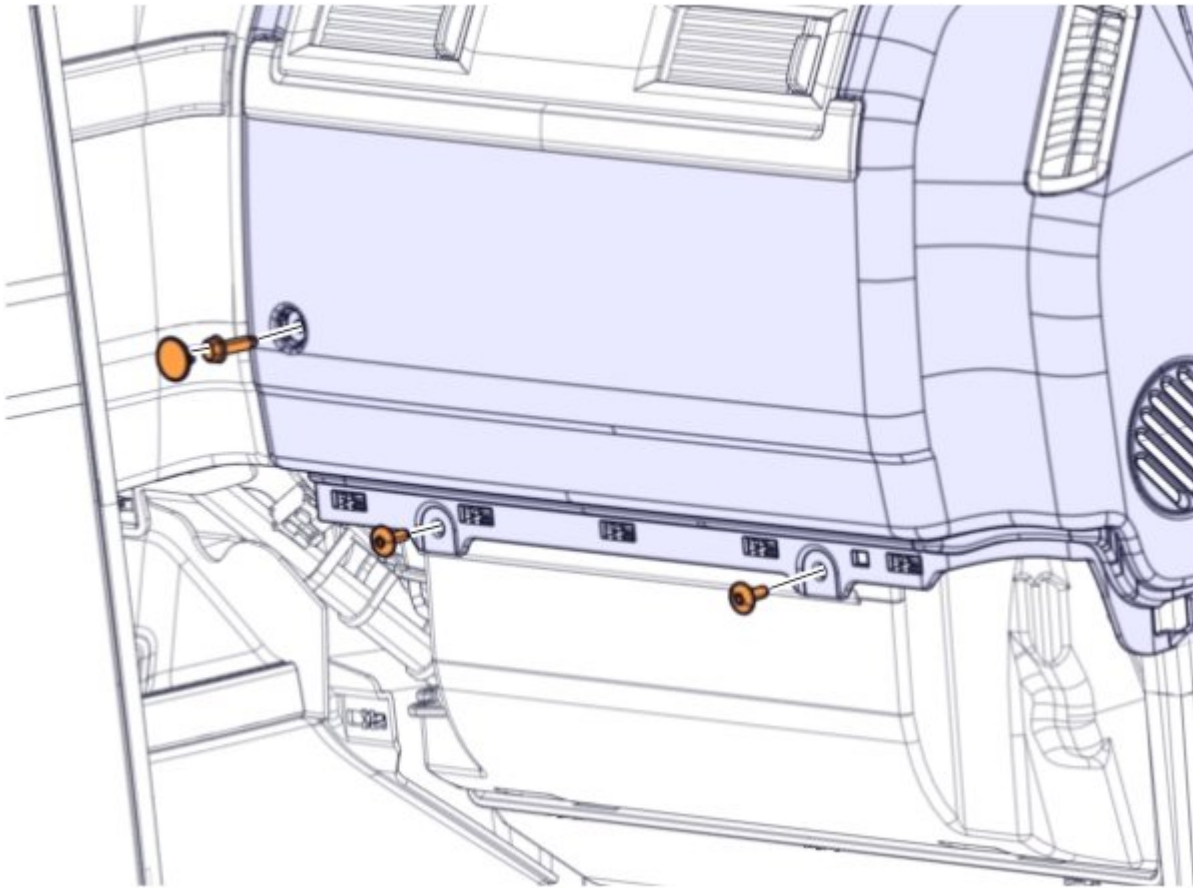
52 Install the panel.



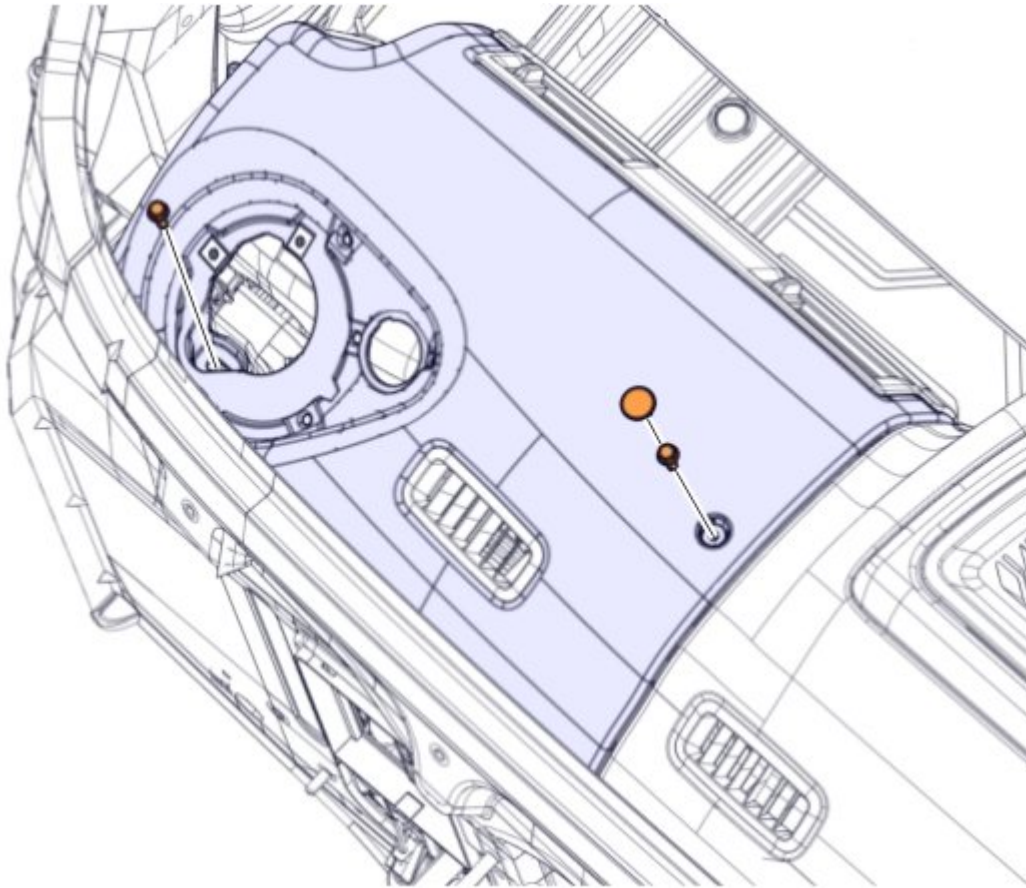
53 Install the screws.

Copyright to this documentation belongs to the Volvo Group. No reproduction, copying, change, amendment or other similar disposal is entitled without prior written consent by the Volvo Group

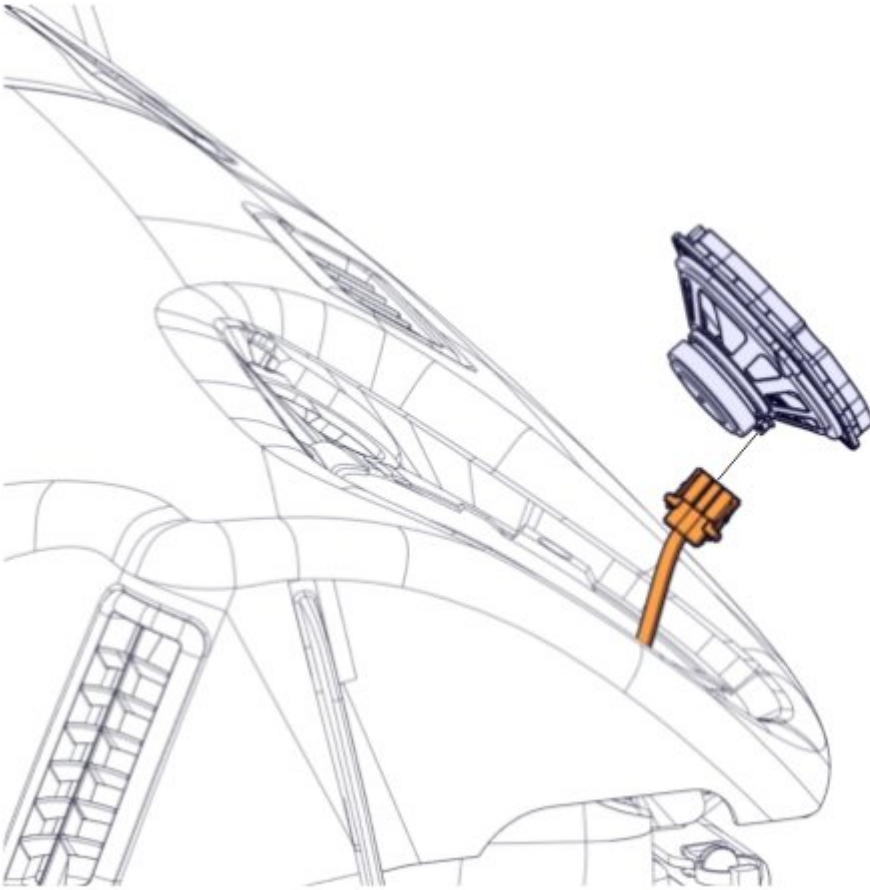
The information contained herein is current at the time of its original distribution, but is subject to change. The reader is advised that printed copies are uncontrolled.



54	Torque tighten the screws.	
	Tightening torque	
	Screw	M6
		10 ±1.5 Nm (7 ±1 lb _f .ft)
55	Install the screw cover.	
56	Install the screws.	

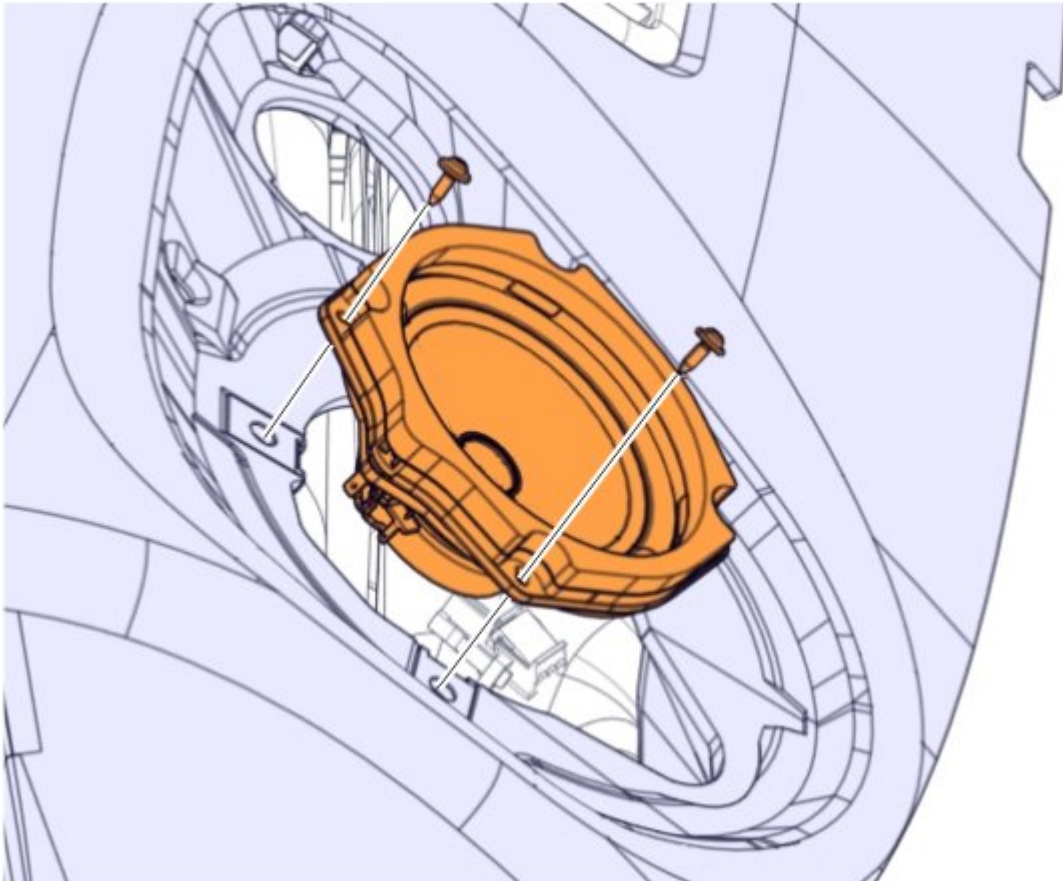


57	Torque tighten the screws.	
	Tightening torque	
	Screw	M6
		10 ±1.5 Nm (7 ±1 lb _f .ft)
58	Install the screw cover.	
59	Connect the connector.	



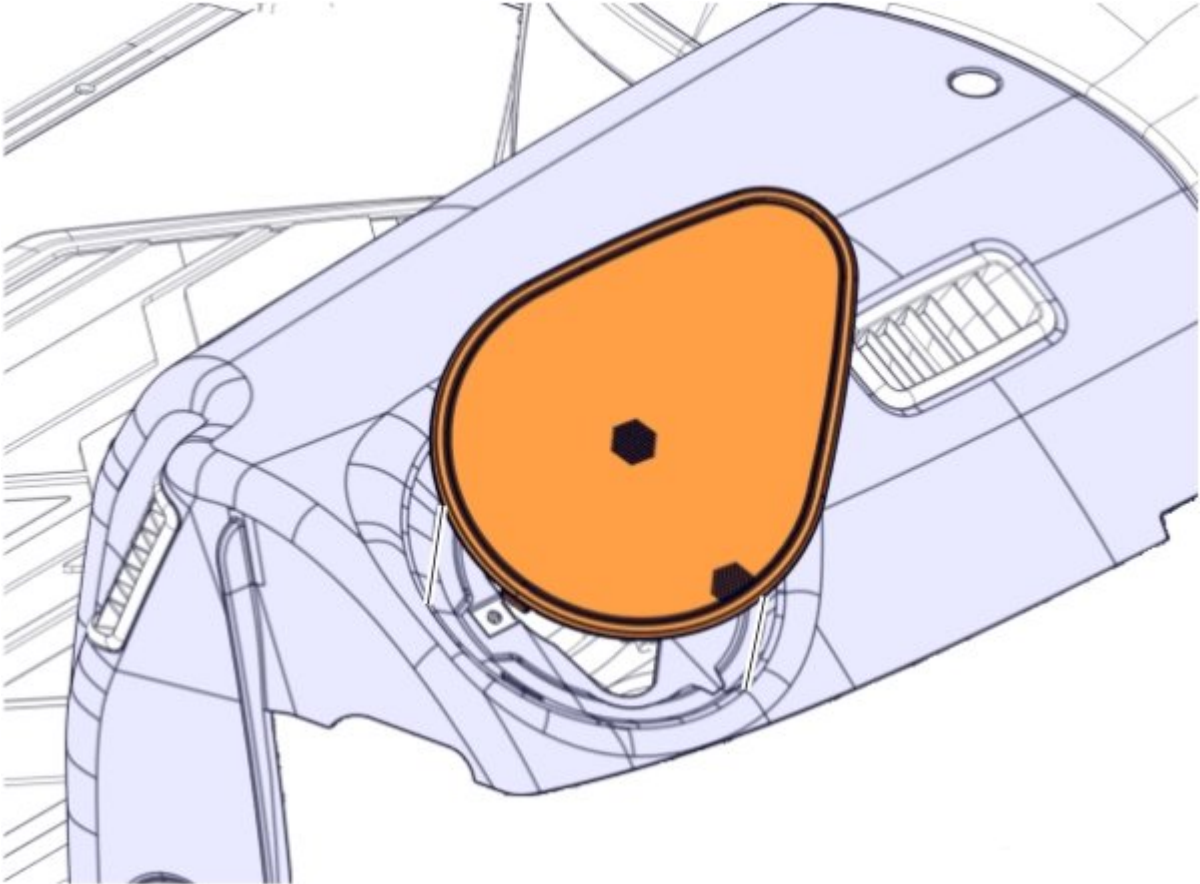
60	Install the speaker.
-----------	----------------------

61	Install the screws.
-----------	---------------------



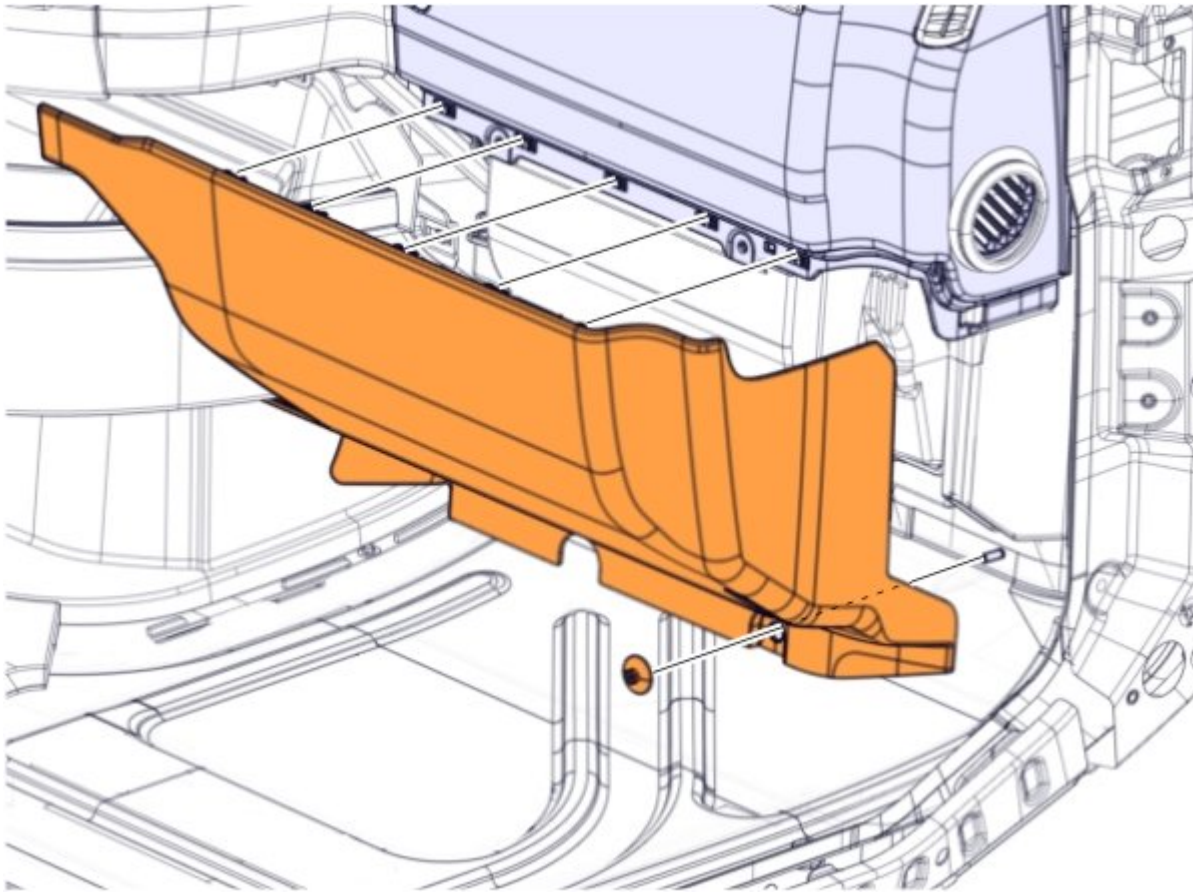
62	Torque tighten the screws.	
	Tightening torque	
	Screw	M5
		2.9 ±0.8 Nm (26 ±7 lb _f ·in)

63 Install the speaker grille.



64 Install the panel.

65 Install the nut.



66 Install the grab handle.

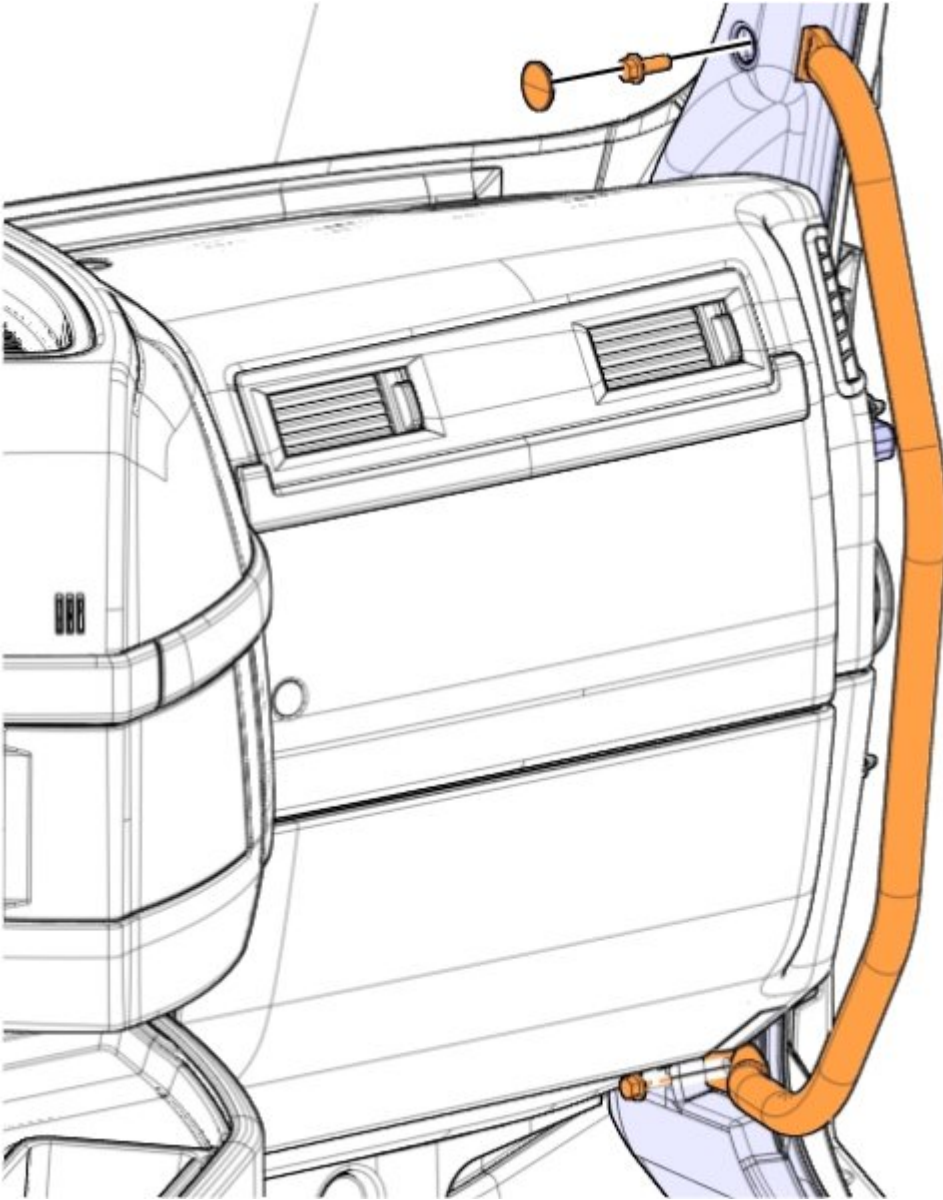
67 Install the screws.

68 Torque tighten the screws.

Tightening torque

Screw	M8
	24 ±4 Nm
	(18 ±3 lb _f .ft)

69 Install the screw cover.



70	Connect the battery cable to negative (ground) terminal.
----	--