



# Service Bulletin

Bulletin No.: 21-NA-249

Date: April, 2024

## TECHNICAL

**Subject:** Carpet Appearance Near Center Console Area

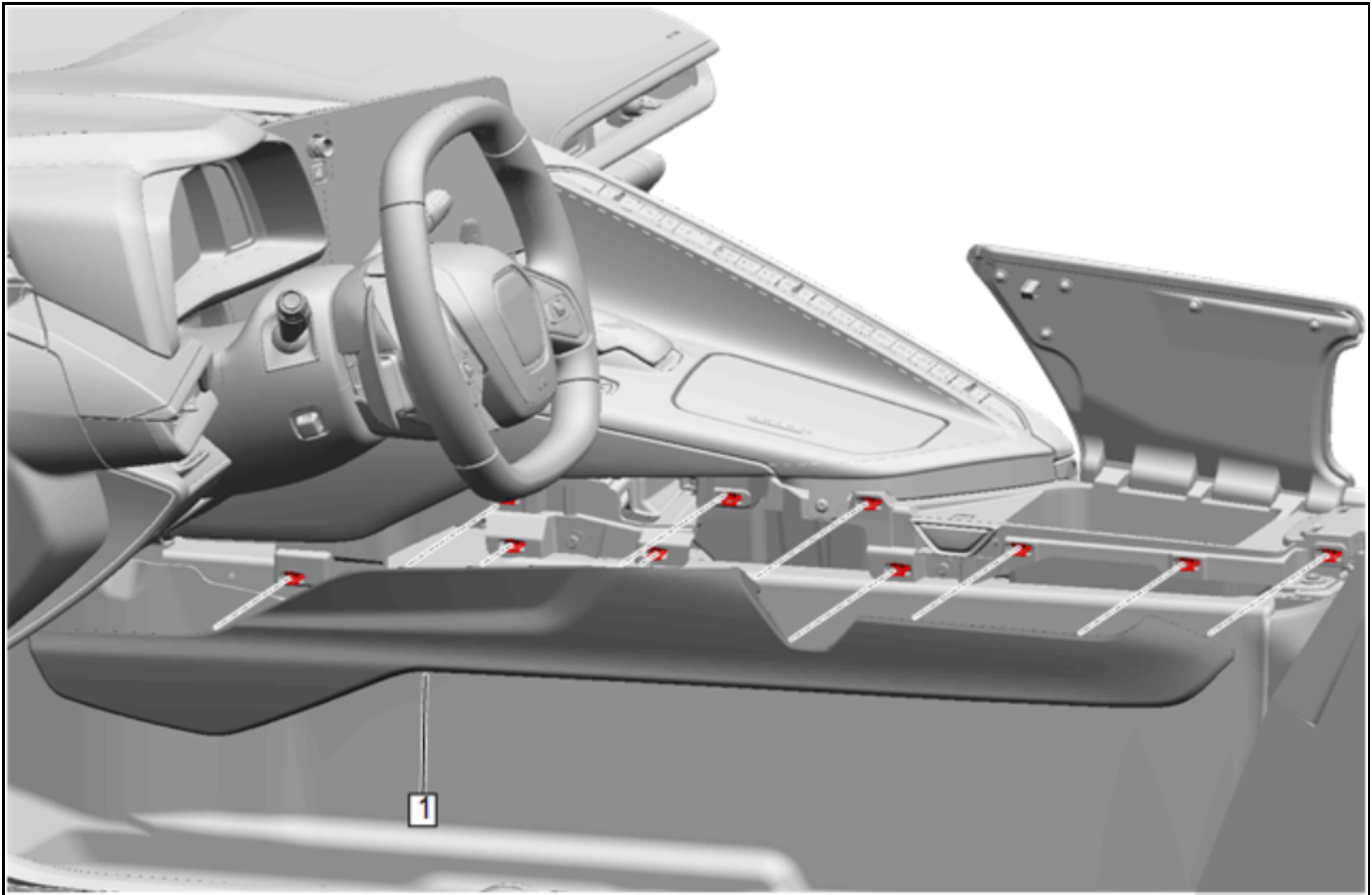
**This Service Bulletin replaces PIC6445. Please discard PIC6445.**

Brand:	Model:	Model Year:		VIN:		Engine:	Transmission:
		from	to	from	to		
Chevrolet	Corvette	2020	2024	—	—	All	All

<b>Involved Region or Country</b>	North America, Europe, Middle East, Japan, Australia/New Zealand
<b>Condition</b>	<p><b>Note:</b> A visible edge of the carpeting may be noticed on either side of the center console. This will typically be noticed during PDI (Pre-Delivery Inspection) of the vehicle.</p> <p>Some technicians or customers may comment on the fact that there is a noticeable gap, or it appears that the carpeting has been cut too short to be completely covered by the trim on the center console.</p>
<b>Cause</b>	The cause of the condition may be that the carpet running up the side of the console may need additional support.
<b>Correction</b>	Following the steps in the Service Procedure below, install a tie-strap to assist with holding the carpet in place.

### Service Procedure

**Important: Service agents must comply with all International, Federal, State, Provincial, and/or Local laws applicable to the activities it performs under this bulletin, including but not limited to handling, deploying, preparing, classifying, packaging, marking, labeling, and shipping dangerous goods. In the event of a conflict between the procedures set forth in this bulletin and the laws that apply to your dealership, you must follow those applicable laws.**



5281833

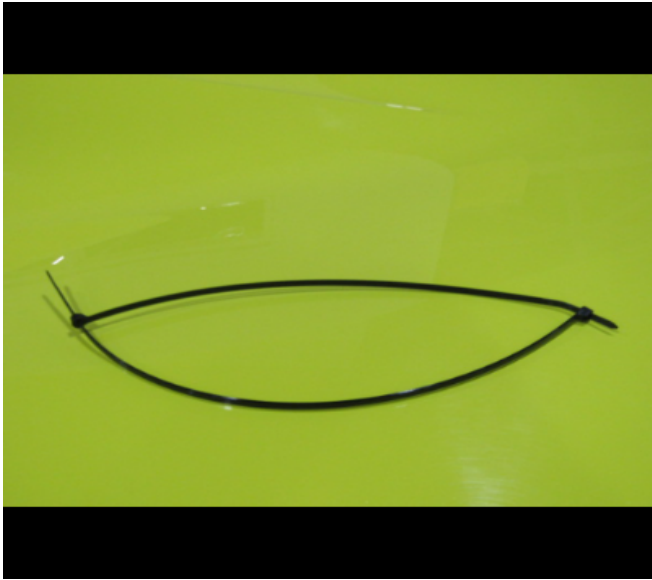
1. Remove the front floor rear console side trim panels (1). Refer to *Front Floor Rear Console Side Trim Panel Replacement - Left Side and Right Side* in SI.



5925509

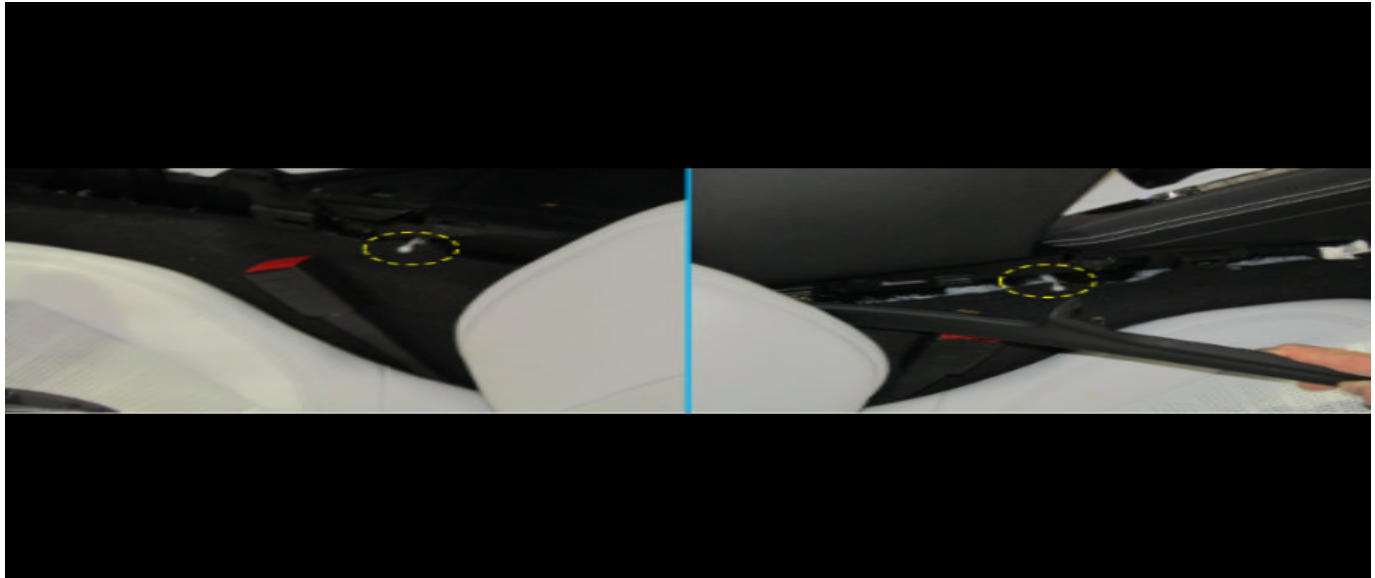
**Note:** Ensure the hole is high enough to hide the end of the tie-strap under the console trims once they are reinstalled.

2. Once the console trims are removed, pierce a small hole in the top edge of the carpeting on each side.



5918435

### Connecting two tie-straps



5925508

**Note:** The strap is only there to hold the carpet up. Ensure you don't over-tighten the strap. Slowly tighten the straps just enough to get just a loose fit.

3. Connect two tie-straps (at least 35 cm (14 inches) long and insert the strap through the pierced hole on one side. Route the strap through the opening in the center console and connect to the pierced hole on the other side.



5918437

- Reinstall the front floor rear console side trim panels, assuring no part of the tie-strap is visible. Refer to *Front Floor Rear Console Side Trim Panel Replacement - Left Side and Right Side* in SI.

**Warranty Information**

For vehicles repaired under the Bumper-to-Bumper coverage (Canada Base Warranty coverage), use the following labor operation. Reference the Applicable Warranties section of Investigate Vehicle History (IVH) for coverage information.

Labor Operation	Description	Labor Time
1086458*	Remove and Reinstall Front Floor Rear Console Side Trim Panels, Add Tie Strap to Carpet	0.4 hr
*This is a unique Labor Operation for bulletin use only.		

<b>Version</b>	3
<b>Modified</b>	Released November 05, 2021 Revised October 04, 2022 – Added the 2023 Model Year and an Important statement at start of Service Procedure. Revised April 16, 2024 – Added the 2024 Model Year.

GM bulletins are intended for use by professional technicians, NOT a "do-it-yourselfer". They are written to inform these technicians of conditions that may occur on some vehicles, or to provide information that could assist in the proper service of a vehicle. Properly trained technicians have the equipment, tools, safety instructions, and know-how to do a job properly and safely. If a condition is described, DO NOT assume that the bulletin applies to your vehicle, or that your vehicle will have that condition. See your GM dealer for information on whether your vehicle may benefit from the information.



WE SUPPORT VOLUNTARY  
TECHNICIAN  
CERTIFICATION