



SIB 33 06 24 SERVICE SOLUTION: Drive Chain Noise

2024-04-08

MODEL

Model	Model Description	Production Date
K81	F 900 GS	0K63

SITUATION

Customer hears noise coming from the drive train, due to the chain knocking against the slide rail. The acoustics are transferred through the swingarm and amplified.

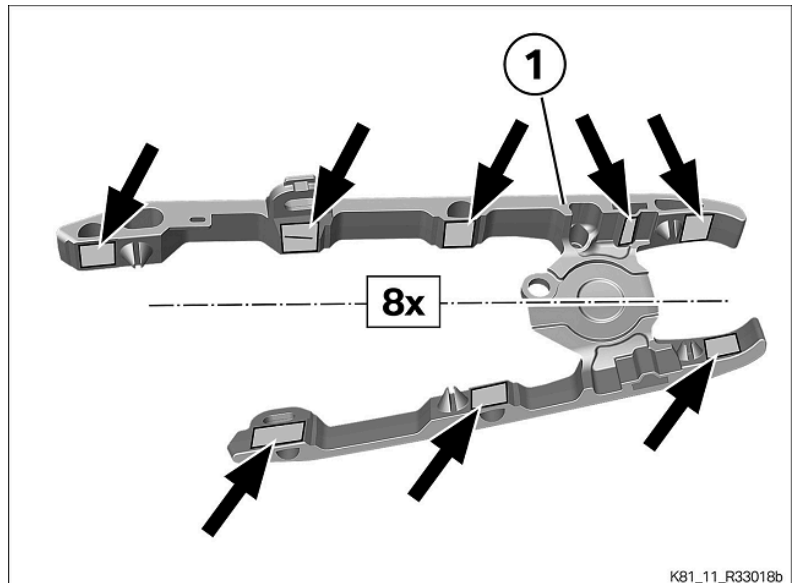
Endurance testing was performed and found that the knocking of the chain against the rail over time has no effect on the life of the chain or rail.

PROCEDURE

In case of a complaint, you can adhere damping strips to the slide rail.

How to adhere damping strips:

1. Remove the chain slide rail according to repair instructions 33 85 504 in AIR.
1. Clean surfaces.
1. Cut damping material (27 00 8 529 962) into 8 pieces.
1. Adhere strips to chain slide rail (see arrows in image →)
1. Install chain slide rail according to repair instruction 33 85 504 in AIR.



QUESTIONS REGARDING THIS BULLETIN

Technical inquiries	Contact the BMW Technical Support Group via TSARA
Warranty inquiries	Submit an IDS ticket to the Warranty Department
Parts inquiries	Submit an IDS ticket to the Motorrad Parts Department

Supporting Materials

[picture_as_pdf 33 06 24 SERVICE SOLUTION DRIVE CHAIN NOISE.pdf](#)

