



Service Bulletin

Bulletin No.: 10-08-45-001H

Date: April, 2024

INFORMATION

Subject: Information for Electrical Ground Repair – Use New Replacement Fasteners with Conductive Finish

Models: 2024 and Prior GM Passenger Cars and Trucks (Includes Medium Duty and Heavy Duty)

Attention: This Bulletin also applies to any of the above models that may be Export vehicles from North America.

This Bulletin has been revised to add the 2021-2024 Model Years and the first Important statement. Please discard Corporate Bulletin Number 10-08-45-001G.

Electrical Ground Repair Overview

Important: Service agents must comply with all International, Federal, State, Provincial, and/or Local laws applicable to the activities it performs under this bulletin, including but not limited to handling, deploying, preparing, classifying, packaging, marking, labeling, and shipping dangerous goods. In the event of a conflict between the procedures set forth in this bulletin and the laws that apply to your dealership, you must follow those applicable laws.

Proper electrical system function relies on secure, stable and corrosion-free electrical ground connections. Loose, stripped, or corroded connections increase the possibility of improper system function and loss of module communication. These conditions may also lead to unnecessary repairs and component replacement.

In general, electrical ground connections are accomplished using one, or a combination of the following attachment methods:

- Welded M6 stud and nut
- Welded M6 nut and bolt
- Welded M8 nut and bolt

Determine which attachment method is used and perform the appropriate or alternative repair as described in this bulletin.

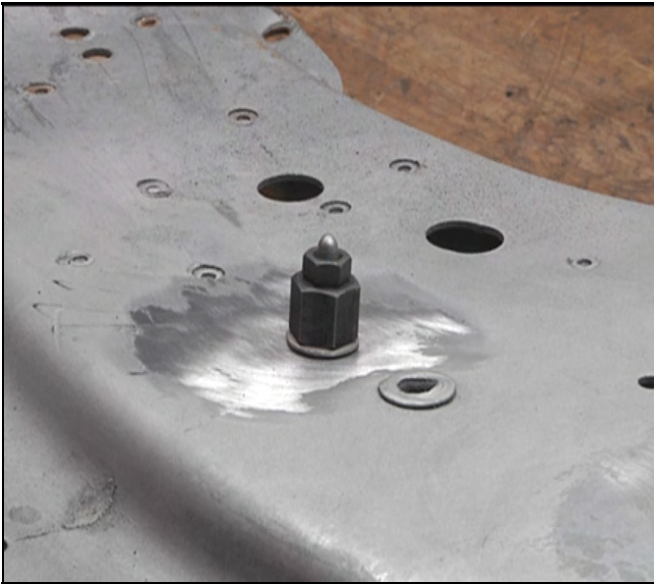
M6 Weld Stud Replacement

Caution: Use only the GM-approved replacement fasteners with conductive finish for electrical ground repair.

1. Select a location adjacent the damaged or missing M6 ground stud having 20 mm (0.79 in) clearance behind the panel surface and 20 mm (0.79 in) clearance surrounding the M6 conductive rivet stud flange.
2. Using GM approved residue-free solvent or equivalent, remove any grease from the repair site and allow to dry.

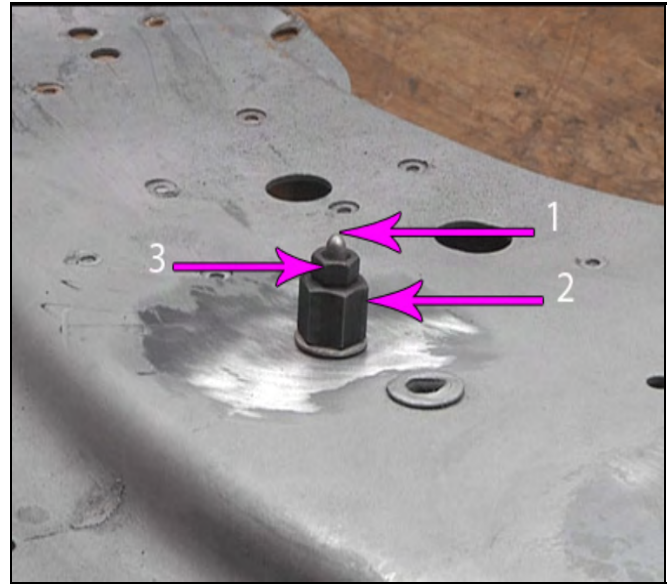
Note: Ensure 20 mm (0.79 in) clearance is maintained behind the panel to be drilled.

3. Drill a 10 mm (0.40 in) diameter hole through the panel.



2376331

- Remove paint and primer from the area surrounding the 10 mm (0.40 in) hole until bare metal is visible.



2372445

Note: Use the GE-50317 rivet stud tool kit or the regional equivalent.

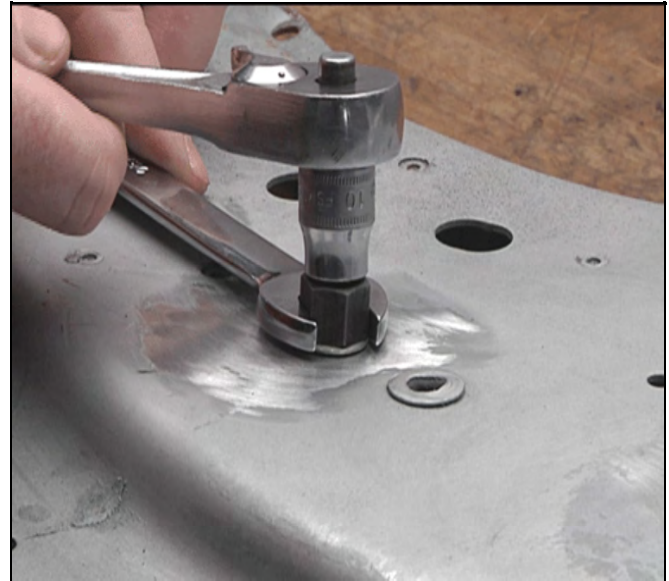
- Place the M6 conductive rivet stud (1) in the 10 mm (0.40 in) hole. Assemble the rivet stud tool (2) with the groove and flare side facing the rivet stud, then the washer and the M6 nut (3).



2382055

Important: The M6 conductive rivet stud as shown, can accommodate a panel thickness range of 0.7-4.2 mm (0.03-0.17 in). If there are layers of sheet metal, they should be touching without any air gaps to ensure a good ground.

- Select a M6 conductive rivet stud. Refer to the Parts Information section in this bulletin.



2375142

- Using a wrench on the rivet stud tool, and a socket on the M6 nut, secure the M6 conductive rivet stud.
- Ensure the rivet stud is securely fastened, **WITHOUT ANY** detectable movement.
- Completely wrap the threads of the rivet stud with painters tape or equivalent.

Note: The rivet stud and surrounding panel area **MUST BE** properly refinished **PRIOR** to the installation of the ground wire terminal and conductive nut to maintain a secure, stable and corrosion-free electrical ground.

10. Refinish the repair area using an anti-corrosion primer. Refer to Anti-Corrosion Treatment and Repair in SI.
11. Allow the refinished repair area to cure sufficiently before removing the protective material applied to the rivet stud threads.
12. Remove the painters tape or equivalent from the rivet stud threads.
13. Using GM approved residue-free solvent or equivalent, thoroughly clean the rivet stud threads to remove any adhesive and allow to dry.
14. Using a small brush, apply Dielectric Lubricant GM P/N 12377900 (Canadian P/N 10953529) to the threads of the M6 conductive rivet stud.

Note: Fretting corrosion is a build-up of insulating, oxidized wear debris that can form when there is a small motion between electrical contacts. The oxidized wear debris can accumulate at the electrical contact points causing the electrical resistance across the connection to increase.

15. Carefully remove **ANY** corrosion or contamination that may be present on the electrical ground wire terminal.
16. Install the electrical ground wire terminal to the rivet stud.
17. Select a M6 conductive nut. Refer to the Parts Information section in this bulletin.
18. Install the M6 conductive nut to the rivet stud and:
Tighten
Tighten to 8 N•m (71 lb in).
19. Verify proper system operation.

M6 Weld Nut

Caution: Use only the GM-approved replacement fasteners with conductive finish for electrical ground repair.

1. If the M6 weld nut at the electrical ground location is damaged or stripped, a M7 conductive self-threading bolt may be used to secure the ground wire terminal.
2. Using GM approved residue-free solvent or equivalent, remove any grease from the surface surrounding the weld nut and allow to dry.
3. Remove any loose metal particles from the damaged or stripped weld nut with a stiff brush.
4. Select a M7 conductive self-threading bolt. Refer to the Parts Information section in this bulletin.
5. Using a small brush, apply Dielectric Lubricant GM P/N 12377900 (Canadian P/N 10953529) to the threads of the M7 conductive self-threading bolt.

Note: Fretting corrosion is a build-up of insulating, oxidized wear debris that can form when there is a small motion between electrical contacts. The oxidized wear debris can accumulate at the electrical contact points causing the electrical resistance across the connection to increase.

6. Carefully remove **ANY** corrosion or contamination that may be present on the electrical ground wire terminal.

7. Install the electrical ground wire terminal to the M7 conductive self-threading bolt.
8. Install the M7 conductive self-threading bolt and:
Tighten
Tighten to 9 N•m (80 lb in).
9. Verify proper system operation.

M6 Weld Nut Alternative Repair

Caution: Use only the GM-approved replacement fasteners with conductive finish for electrical ground repair.

1. If the electrical ground location is accessible from both sides of the panel, a M6 conductive bolt and a M6 conductive nut may be used to secure the electrical ground wire terminal. Refer to the Parts Information section in this bulletin.
2. Select a location adjacent the damaged M6 weld nut having 20 mm (0.79 in) clearance behind the panel surface and 20 mm (0.79 in) clearance surrounding the new electrical ground site.
3. Using GM approved residue-free solvent or equivalent, remove any grease from the surface surrounding the ground location and allow to dry.

Note: Ensure 20 mm (0.79 in) clearance is maintained behind the panel to be drilled.

4. Drill a 8.5 mm (0.33 in) diameter hole through the panel.
5. Remove paint and primer from the area surrounding the 8.5 mm (0.33 in) hole until bare metal is visible.
6. Select a M6 conductive bolt. Refer to the Parts Information section in this bulletin.
7. Using a small brush, apply Dielectric Lubricant GM P/N 12377900 (Canadian P/N 10953529) to the threads of the M6 conductive bolt.

Note: Fretting corrosion is a build-up of insulating, oxidized wear debris that can form when there is a small motion between electrical contacts. The oxidized wear debris can accumulate at the electrical contact points causing the electrical resistance across the connection to increase.

8. Carefully remove **ANY** corrosion or contamination that may be present on the electrical ground wire terminal.
9. Install the electrical ground wire terminal and the M6 conductive bolt to the ground location.
10. Select a M6 conductive nut. Refer to the Parts Information section in this bulletin.
11. Install the M6 conductive nut to the bolt and:

Tighten

Tighten to 8 N•m (71 lb in).

Note: The repair area MUST BE properly refinished to maintain a secure, stable and corrosion-free electrical ground.

12. Refinish the repair area using an anti-corrosion primer. Refer to Anti-Corrosion Treatment and Repair in SI.
13. Verify proper system operation.

M8 Weld Nut

Caution: Use only the GM-approved replacement fasteners with conductive finish for electrical ground repair.

1. If the M8 weld nut electrical ground location is accessible from both sides of the panel, a M8 conductive bolt and a M8 conductive nut may be used to secure the electrical ground wire terminal. Refer to the Parts Information section in this bulletin.
2. Select a location adjacent the M8 weld nut having 20 mm (0.79 in) clearance behind the panel surface and 20 mm (0.79 in) clearance surrounding the new electrical ground site.
3. Using GM approved residue-free solvent or equivalent, remove any grease from the surface surrounding the ground location and allow to dry.

Note: Ensure 20 mm (0.79 in) clearance is maintained behind the panel to be drilled.

4. Drill a 10 mm (0.40 in) diameter hole through the panel.
5. Remove paint and primer from the area surrounding the 10 mm (0.40 in) hole until bare metal is visible.
6. Select a M8 conductive bolt. Refer to the Parts Information section in this bulletin.
7. Using a small brush, apply Dielectric Lubricant GM P/N 12377900 (Canadian P/N 10953529) to the threads of the M8 conductive bolt.

Note: Fretting corrosion is a build-up of insulating, oxidized wear debris that can form when there is a small motion between electrical contacts. The oxidized wear debris can accumulate at the electrical contact points causing the electrical resistance across the connection to increase.

8. Carefully remove **ANY** corrosion or contamination that may be present on the electrical ground wire terminal.
9. Install the electrical ground wire terminal and the M8 conductive bolt to the ground location.
10. Select a M8 conductive nut. Refer to the Parts Information section in this bulletin.
11. Install the M8 conductive nut to the bolt and:

Tighten

Tighten to 22 N•m (16 lb ft).

Note: The repair area MUST BE properly refinished to maintain a secure, stable and corrosion-free electrical ground.

12. Refinish the repair area using an anti-corrosion primer. Refer to Anti-Corrosion Treatment and Repair in SI.
13. Verify proper system operation.

M8 Weld Nut Alternative Repair

Caution: Use only the GM-approved replacement fasteners with conductive finish for electrical ground repair.

1. If the M8 weld nut electrical ground location is not accessible from both sides of the panel, a M6 conductive rivet stud and a M6 conductive nut may be used to secure the electrical ground wire terminal.
2. Select a location adjacent the damaged M8 weld nut having 20 mm (0.79 in) clearance behind the panel surface and 20 mm (0.79 in) clearance surrounding the M6 conductive rivet stud flange.
3. Using GM approved residue-free solvent or equivalent, remove any grease from the repair site and allow to dry.

Note: Ensure 20 mm (0.79 in) clearance is maintained behind the panel to be drilled.

4. Drill a 10 mm (0.40 in) diameter hole through the panel.

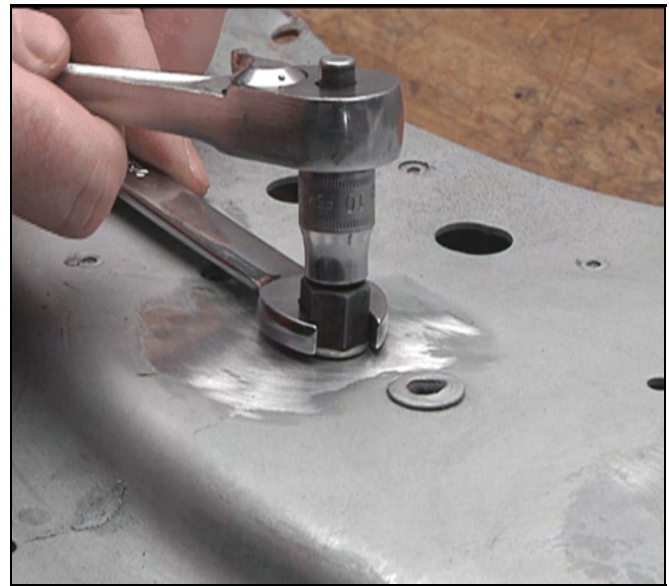


2376331

5. Remove paint and primer from the area surrounding the 10 mm (0.40 in) until bare metal is visible.



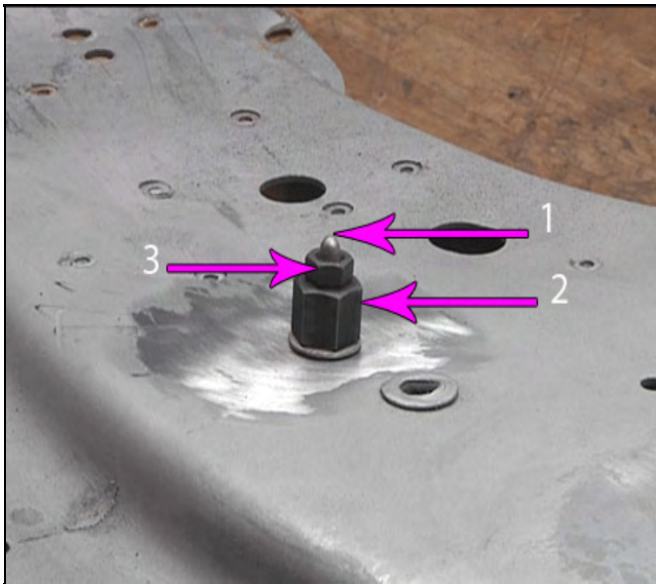
2382055



2375142

Important: The M6 conductive rivet stud as shown, can accommodate a panel thickness range of 0.7-4.2 mm (0.03-0.17 in). If there are layers of sheet metal, they should be touching without any air gaps to ensure a good ground.

6. Select a M6 conductive rivet stud. Refer to the Parts Information section in this bulletin.



2372445

Note: Use the GE-50317 rivet stud tool kit or the regional equivalent.

7. Place the M6 conductive rivet stud (1) in the 10 mm (0.40 in) hole. Assemble the rivet stud tool (2) with the groove and flare side facing the rivet stud, then the washer and the M6 nut (3).

8. Using a wrench on the rivet stud tool, and a socket on the M6 nut, secure the M6 conductive rivet stud.
9. Ensure the new rivet stud is securely fastened, **WITHOUT ANY** detectable movement.
10. Completely wrap the threads of the rivet stud with painters tape or equivalent.

Note: The rivet stud and surrounding panel area **MUST BE** properly refinished **PRIOR** to the installation of the electrical ground wire terminal and conductive nut to maintain a secure, stable and corrosion-free electrical ground.

11. Refinish the repair area using an anti-corrosion primer. Refer to Anti-Corrosion Treatment and Repair in SI.
12. Allow the refinished repair area to cure sufficiently before removing the protective material applied to the rivet stud threads.
13. Remove the painters tape or equivalent from the rivet stud threads.
14. Using GM approved residue-free solvent or equivalent, thoroughly clean the rivet stud threads to remove any adhesive and allow to dry.
15. Using a small brush, apply Dielectric Lubricant GM P/N 12377900 (Canadian P/N 10953529) to the threads of the M6 conductive rivet stud.

Note: Fretting corrosion is a build-up of insulating, oxidized wear debris that can form when there is a small motion between electrical contacts. The oxidized wear debris can accumulate at the electrical contact points causing the electrical resistance across the connection to increase.

16. Carefully remove **ANY** corrosion or contamination that may be present on the electrical ground wire terminal.
17. Install the electrical ground wire terminal to the M6 conductive rivet stud.
18. Select a M6 conductive nut. Refer to the Parts Information section in this bulletin.

19. Install the M6 conductive nut to the rivet stud and:

Tighten

Tighten to 8 N•m (71 lb in).

20. Verify proper system operation.

Parts Information

**GM Approved Replacement Fasteners
Containing Conductive Finish**

Part Number	Description
11561645	M6 NUT
11570340	M6 RIVET STUD
11588564	M8 BOLT
11609412	M8 NUT
11609538	M7 BOLT (SELF-THREADING)
11609669	M6 BOLT
GM P/N 12377900 (Canada P/N 10953529)	DIELECTRIC LUBRICANT

Warranty Information

For vehicles repaired under warranty, use:

Labor Operation	Description	Labor Time
5430962*	Ground Connection Repair	Use Published Labor Operation Time
<p>*YOU MUST document the affected ground location on the repair order.</p> <p>Note: Any additional time for component R&R to gain access or for repair time greater than 0.5 hours must be submitted as Other Labor Hours and requires appropriate authorization and service management approval.</p>		

