



Technical Service Bulletin

SUBJECT: ADDITION OF SERVICE PROCEDURE FOR STEERING WHEEL SWITCH LIGHT LENS-SERVICE MANUAL REVISION			No: TSB-24-17-001
			DATE: March 2024
			MODEL: Outlander Plug-in Hybrid
CIRCULATE TO:	<input type="checkbox"/> GENERAL MANAGER	<input checked="" type="checkbox"/> PARTS MANAGER	<input checked="" type="checkbox"/> TECHNICIAN
<input checked="" type="checkbox"/> SERVICE ADVISOR	<input checked="" type="checkbox"/> SERVICE MANAGER	<input checked="" type="checkbox"/> WARRANTY PROCESSOR	<input type="checkbox"/> SALES MANAGER

PURPOSE

This TSB provides the addition of the Steering Wheel Switch Light Lens disassembly and assembly procedure in the applicable Service Manual sections.

AFFECTED VEHICLES

2018-2022 Outlander Plug-in Hybrid

AFFECTED SERVICE MANUAL

2018-2022 Outlander Plug-in Hybrid Service Manual

PROCEDURE

Please use the chart below to add the new procedures into the affected 2018-2021 Outlander Plug-in Hybrid Service Manuals, Group 17/54 sections:

Applicable Manual	Pub. No.	Applicable Title	Contents
2018 Outlander Plug-in Hybrid Service Manual	MSCD-027B-2018	Added below ENGINE, MOTOR AND EMISSION CONTROL └ CRUISE CONTROL └ CRUISE CONTROL SWITCH └ REMOVAL AND INSTALLATION	Attached sheet 1
2019 Outlander Plug-in Hybrid Service Manual	MSCD-027B-2019		Attached sheet 1
2020 Outlander Plug-in Hybrid Service Manual	MSCD-027B-2020		
2021 Outlander Plug-in Hybrid Service Manual	MSCD-027B-2021	Added below CHASSIS ELECTRICAL └ STEERING WHEEL REMOTE CONTROL SWITCH └ STEERING WHEEL REMOTE CONTROL SWITCH └ REMOVAL AND INSTALLATION	
2022 Outlander Plug-in Hybrid Service Manual	MSCD-027B-2022		



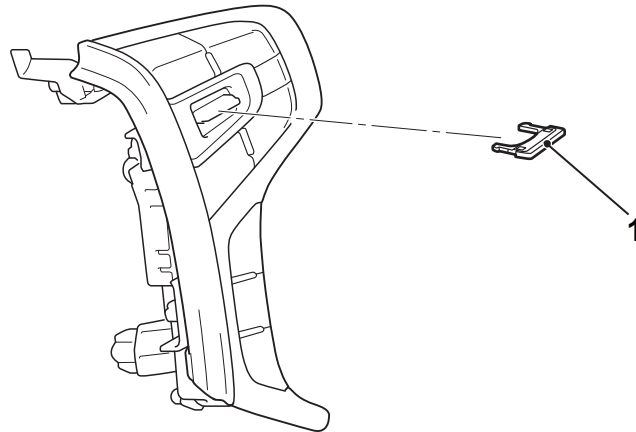
Copyright 2024, Mitsubishi Motors North America, Inc.

The information contained in this bulletin is subject to change. For the latest version of this document, go to the Mitsubishi Dealer Link, MEDIC, or the Mitsubishi Service Information website (www.mitsubishitechinfo.com).

ENGINE AND EMISSION CONTROL CRUISE CONTROL

DISASSEMBLY AND ASSEMBLY

M11720237A0001



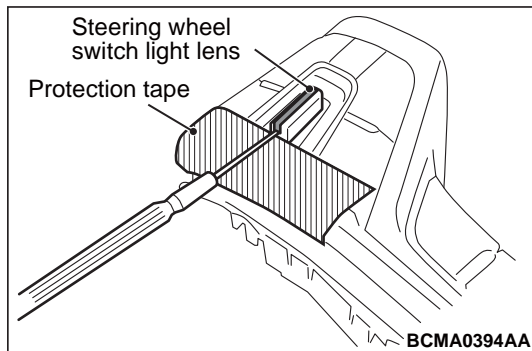
BCMA0393AA

Disassembly

- <<A>> >>A<< 1. Steering wheel switch light lens

DISASSEMBLY SERVICE POINT

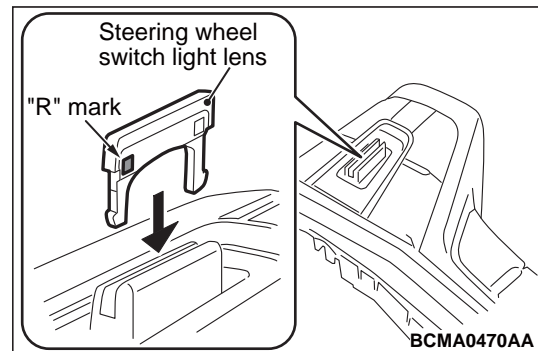
<<A>> STEERING WHEEL SWITCH LIGHT LENS REMOVAL



1. Apply a protection tape to the position shown in the illustration.
2. Insert a flat-tipped precision screwdriver into the position shown in the illustration.
3. Remove the steering wheel switch light lens.

ASSEMBLY SERVICE POINT

>>A<< STEERING WHEEL SWITCH LIGHT LENS INSTALLATION



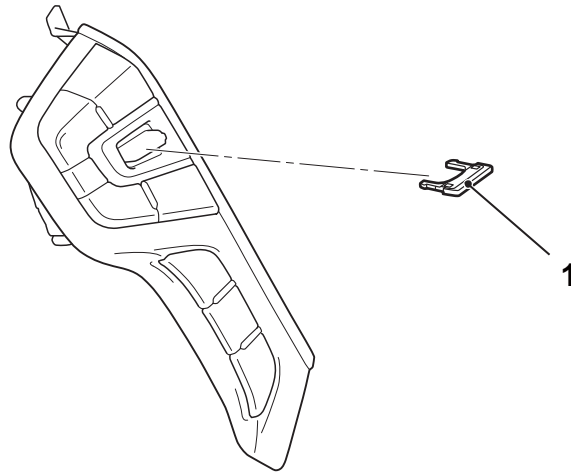
1. Check that the "R" mark is printed on the steering wheel switch light lens.
2. Insert the steering wheel switch light lens so that the "R" mark is in the position shown in the illustration.

<Added>

**CHASSIS ELECTRICAL
STEERING WHEEL AUDIO REMOTE CONTROL SWITCH**

DISASSEMBLY AND ASSEMBLY

M15440268A0001



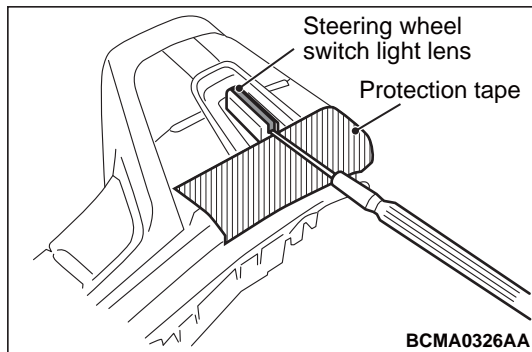
BCMA0392AA

Disassembly

- <<A>> >>A<< 1. Steering wheel switch light lens

DISASSEMBLY SERVICE POINT

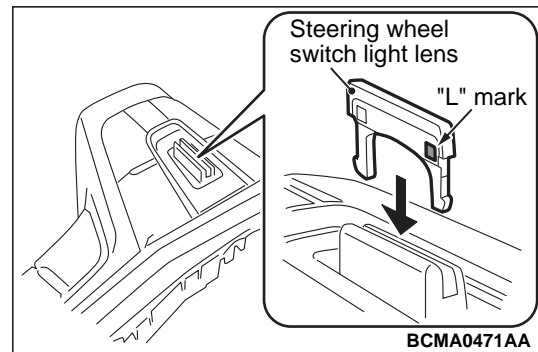
<<A>> STEERING WHEEL SWITCH LIGHT LENS REMOVAL



1. Apply a protection tape to the position shown in the illustration.
2. Insert a flat-tipped precision screwdriver into the position shown in the illustration.
3. Remove the steering wheel switch light lens.

ASSEMBLY SERVICE POINT

>>A<< STEERING WHEEL SWITCH LIGHT LENS INSTALLATION



1. Check that the "L" mark is printed on the steering wheel switch light lens.
2. Insert the steering wheel switch light lens so that the "L" mark is in the position shown in the illustration.

<Added>