



# Technical Service Bulletin

<b>SUBJECT:</b> <b>REPLACEMENT PROCEDURE FOR DIFFERENTIAL MOUNT BRACKET BUSH OF DIFFERENTIAL CARRIER ASSEMBLY – SERVICE MANUAL REVISION</b>			No: <b>TSB-24-27-001</b>
			DATE: <b>March 2024</b>
			MODEL: <b>Lancer Evolution</b>
<b>CIRCULATE TO:</b>	<input type="checkbox"/> GENERAL MANAGER	<input checked="" type="checkbox"/> PARTS MANAGER	<input checked="" type="checkbox"/> TECHNICIAN
<input checked="" type="checkbox"/> SERVICE ADVISOR	<input checked="" type="checkbox"/> SERVICE MANAGER	<input checked="" type="checkbox"/> WARRANTY PROCESSOR	<input type="checkbox"/> SALES MANAGER

## PURPOSE

This TSB provides the replacement procedure for the Differential Mount Bracket Bush of the Rear Axle Differential Carrier Assembly in the applicable Service Manual sections.

## AFFECTED VEHICLES

2008-2015 Lancer Evolution

## AFFECTED SERVICE MANUAL

2008-2015 Lancer Evolution Service Manual

## PROCEDURE

Please use the chart below to replace the pages in the affected 2008-2015 Lancer Evolution Service Manuals, Group 27, Rear Axle Special Tools and Rear Axle, Differential Carrier Assembly, Disassembly and Reassembly sections:

Applicable Manual	Pub. No.		Contents
2008 LANCER EVOLUTION Service Manual	MSCD-206B-2008	REAR AXLE └ SPECIAL TOOLS	Attached sheet 1 (1/2)
2009 LANCER EVOLUTION Service Manual	MSCD-206B-2009	REAR AXLE └ DIFFERENTIAL CARRIER ASSEMBLY └ Added below "DISASSEMBLY AND REASSEMBLY"	Attached sheet 1 (2/2)
2010 LANCER EVOLUTION Service Manual	MSCD-206B-2010		
2011 LANCER EVOLUTION Service Manual	MSCD-206B-2011		
2012 LANCER EVOLUTION Service Manual	MSCD-206B-2012		
2013 LANCER EVOLUTION Service Manual	MSCD-206B-2013		
2015 LANCER EVOLUTION Service Manual	MSCD-206B-2015		

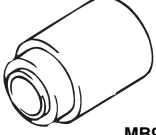
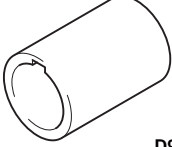
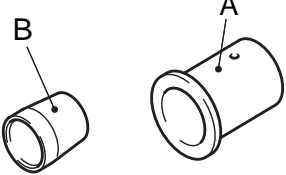


Copyright 2024, Mitsubishi Motors North America, Inc.

The information contained in this bulletin is subject to change. For the latest version of this document, go to the Mitsubishi Dealer Link, MEDIC, or the Mitsubishi Service Information website ([www.mitsubishitechinfo.com](http://www.mitsubishitechinfo.com)).

## SPECIAL TOOLS

M12740002A0002

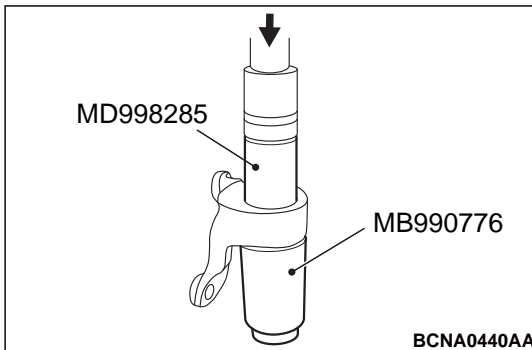
Tool	Tool number and name	Supersession	Application
 <p>MB990776</p>	<p>MB990776 Front axle base</p>	<p>General service tool</p>	<p>Removal and press-fitting of rear differential mounting bush</p>
 <p>D998285</p>	<p>MD998285 Oil seal guide</p>	<p>MD998285-01</p>	<p>Removal of rear differential mounting bush</p>
	<p>MD998717 Crankshaft front oil seal installer a. Oil seal installer b. Guide</p>	<p>General service tool</p>	<p>Press-fitting of rear differential mounting bush</p> <p>NOTE:</p> <ul style="list-style-type: none"> <li>• Use an oil seal installer.</li> <li>• Do not use guides.</li> </ul>

REAR AXLE  
DIFFERENTIAL CARRIER ASSEMBLY

# DIFFERENTIAL CARRIER ASSEMBLY

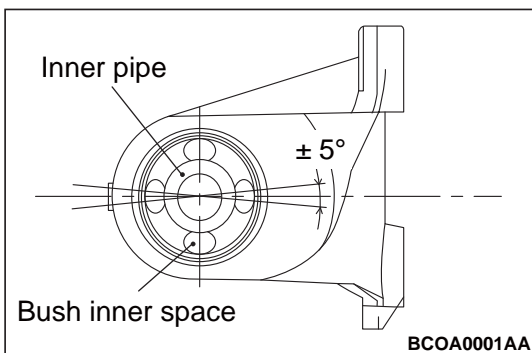
## DIFFERENTIAL MOUNT BRACKET BUSH REPLACEMENT

M12720073A0003



- Using the special tools, remove the bush from the rear differential mount bracket.

- Front axle base (MB990776)
- Oil seal guide (MD998285)



- Assemble the bush so that the long protruding inner pipe is at the bottom of the vehicle and the bush inner space is in the position shown.

### CAUTION

Since the bush may come off, replace the differential bracket if the press-fitting load of the bush is less than 9,800 N (2,203.2 lb).

- Install the bush so that it is flush with the end surface of the differential mount bracket using the following special tools.

- Front axle base (MB990776)
- Crankshaft front oil seal installer (MD998717)

