



SIB 46 02 24

SERVICE SOLUTION: R 1300 GS RIDE HEIGHT SENSOR/S
CALIBRATION FAILS

2024-03-28

MODEL

Model	Model Description	Production Date
KA1	R 1300 GS	0M23

SITUATION

Calibration of one or both ride height sensors fail due to the ride height sensor/s are not positioned correctly.

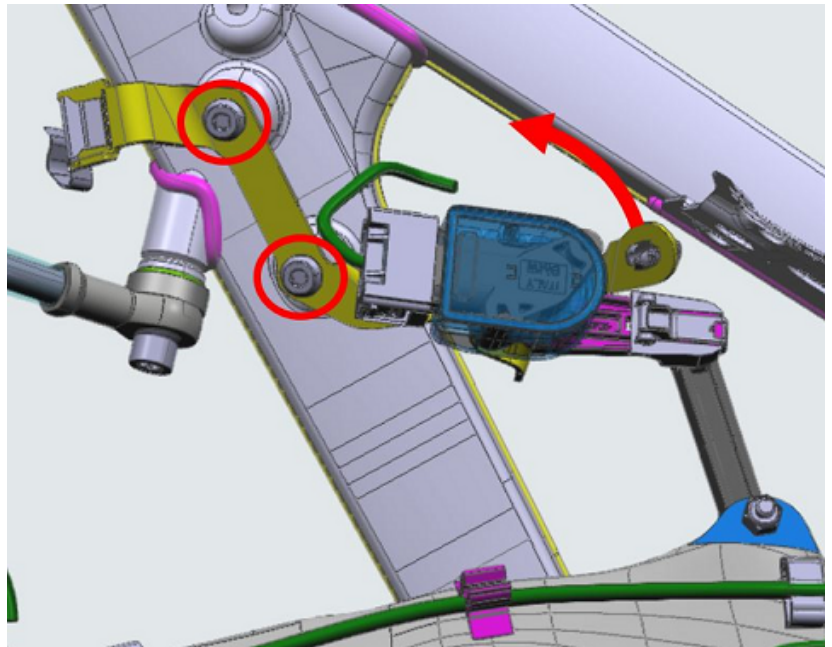
PROCEDURE

The ride height sensor holders must be inspected for defects and or deformations and replace is necessary.

If the ride height sensor holders are free from deformations and defects, follow instructions below.

Front ride height sensor:

- Loosen the fasteners of the holders on the frame.
- Then turn the holder counterclockwise (upwards) within the hole clearance and tighten the fasteners to the required torque.

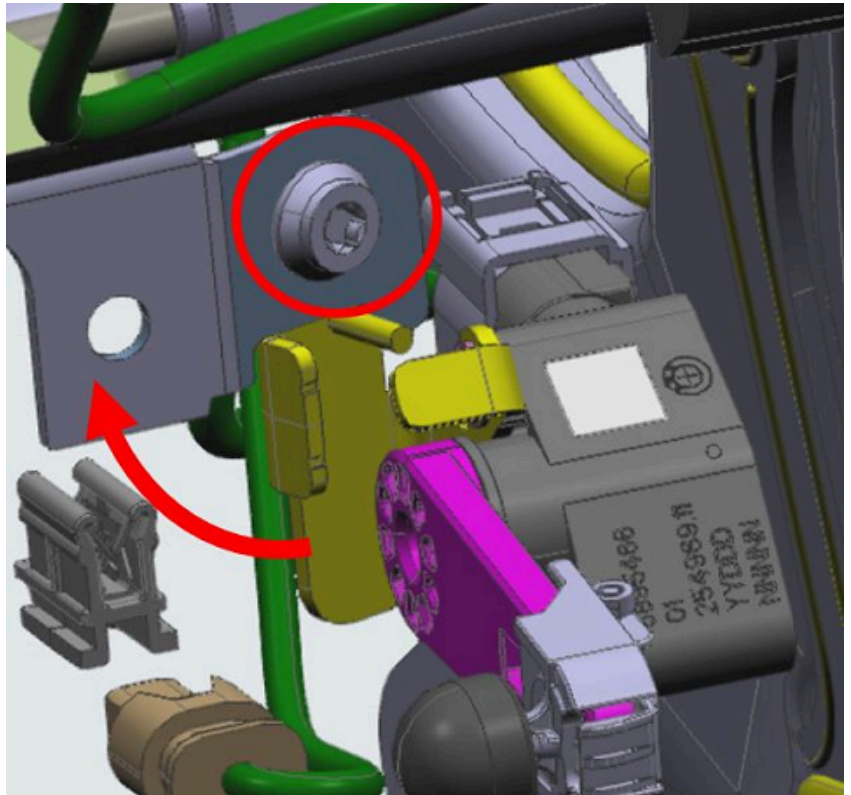


Rear ride height sensor:

- Loosen the fasteners of the holders on the frame.
- Then turn the holder clockwise to the existing torsional stop and tighten the fasteners to the required torque.

NOTE: Be careful not to damage or deform the sensor holders

QUESTIONS REGARDING THIS BULLETIN



Technical inquiries	Contact the BMW Technical Support Group via TSARA
Warranty inquiries	Submit an IDS ticket to the Warranty Department
Parts inquiries	Submit an IDS ticket to the Motorrad Parts Department

Supporting Materials

[picture_as_pdf 46 02 24 SERVICE SOLUTION R 1300 GS Ride Height Calibration Fails.pdf](#)

