



Technical Service Bulletin

43 Air suspension system fault - DTC C118D01 Compressor for level control electrical error

43 24 83 2073034/2 March 13, 2024. Supersedes Technical Service Bulletin Group 43 number 24-82 dated February 19, 2024 for reasons listed below.

Model(s)	Year	VIN Range	Vehicle-Specific Equipment
e-tron quattro, e-tron Sportback quattro, and e-tron S	2023	All	Air Suspension
A6, A6 allroad, S6, RS 6 Avant, A7, S7, RS 7, A8, S8, Q5, Q5 e quattro, Q5 Sportback, SQ5, SQ5 Sportback, Q7, SQ7, Q8, SQ8, and RS Q8	2023 - 2024		
Q8 e-tron, Q8 Sportback e-tron, SQ8 e-tron, and SQ8 Sportback e-tron	2024		

Condition

REVISION HISTORY		
Revision	Date	Purpose
2	-	Revised Warranty (Modified Labor Operations)
1	02/19/2024	Initial publication

Customer states:

The message "*Air suspension: system fault*" is shown in the instrument cluster.

Workshop findings:

The following DTC is logged in the suspension control unit J775 (diagnostic address 0074):

- **C118D01**: Compressor for level control electrical error.

Technical Background

Not applicable.



Technical Service Bulletin

Production Solution

Improved software for compressor electronics J1135 is planned.

Service

The described procedure only applies if compressor electronics with part number index A are fitted in the vehicle (affected part number 4M0.907.778.A) (Figure 1, number 30).

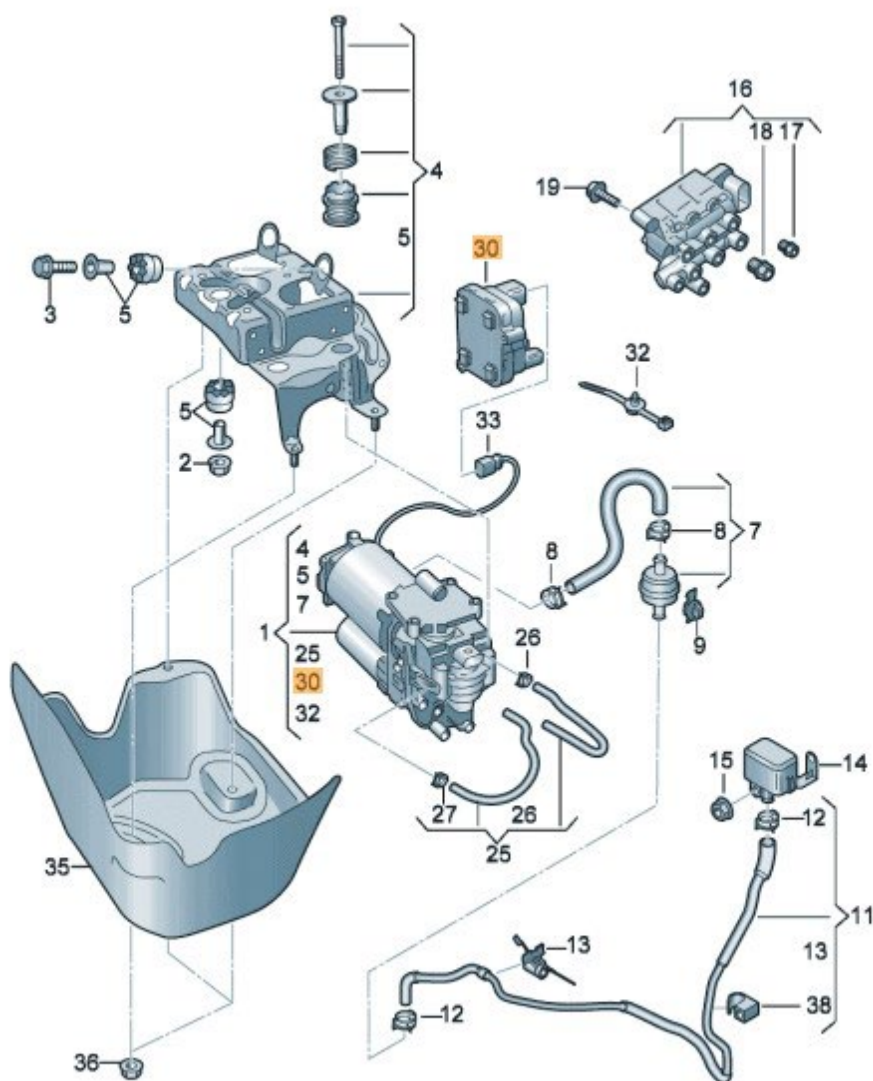


Figure 1. Verify that the compressor electronics is part number 4M0.907.778.A.



Technical Service Bulletin

If no irregularities are found when checking the wiring/contacts at the air compressor and compressor electronics J1135, proceed as follows:

- If the DTC is **passive/intermittent**, delete the DTC.
- If the DTC is logged as **active/static** and remains active/static after the ignition is switched off and then on again, replace the control unit for compressor electronics J1135 (**not the air compressor**).

Warranty

Claim Type:	<ul style="list-style-type: none"> • 110 Up to 48 Months/50,000 Miles. • G10 for CPO Covered Vehicles – Verify Owner. • If the vehicle is outside of any warranty, this Technical Service Bulletin is informational only. 		
Service Number:	4316		
Damage Code:	0039		
Labor Operations	Remove and install control unit J1135	4316 19xx	See SRT with associated operations
Diagnostic Time:	GFF	0150 0000	Time stated on the diagnostic protocol (Max 50 TU)
	Road test prior to the service procedure	No allowance	0 TU
	Road test after the service procedure	No allowance	0 TU
Claim Comment:	As per TSB 2073034/2		

All warranty claims submitted for payment must be in accordance with the *Audi Warranty Policies and Procedures Manual*. Claims are subject to review or audit by Audi Warranty.

Required Parts and Tools

Always check with your Parts Department and/or ETKA for the latest information and parts bulletins.		
Part Number	Part Description	Quantity
See ETKA	Fasteners, Bolts, Nuts, and Screws as needed per the Repair Manual	See ETKA/ELSA
See ETKA	Control unit for compressor electronics J1135 (if necessary)	01



Technical Service Bulletin

Additional Information

All parts and service references provided in this TSB (2073034) are subject to change and/or removal.

©2024 Audi of America, Inc. All rights reserved. The information contained in this document is based on the latest information available at the time of printing and is subject to the copyright and other intellectual property rights of Audi of America, Inc., its affiliated companies, and its licensors. All rights are reserved to make changes at any time without notice. No part of this document may be reproduced, stored in a retrieval system, or transmitted in any form or by any means, electronic, mechanical, photocopying, recording, or otherwise, nor may these materials be modified or reposted to other sites without the prior expressed written permission of the publisher.