



# Technical Service Bulletin

## 39 All-wheel drive coupling does not work, DTC C111204 stored in the all-wheel drive control module or fuse blown

39 24 59 2043144/10 March 8, 2024. Supersedes Technical Service Bulletin Group 39 number 23-53 dated April 10, 2023 for reasons listed below.

Model(s)	Year	VIN Range	Vehicle-Specific Equipment
TT, TT Roadster, and TTS	2013 – 2019	All	Not Applicable
TTS Roadster	2013 – 2015		
TT RS	2013 2018 – 2019		
A3, A3 Cabriolet, and S3	2015 – 2019		
Q3	2015 – 2018		
A3 Sportback e-tron	2016 – 2018		
RS 3	2017 – 2019		

## Condition

REVISION HISTORY		
Revision	Date	Purpose
10	-	Revised <i>Condition</i> (Changed verbiage on step 2) Revised header (Adjusted models)
9	04/10/2023	Revised <i>Service</i> (Changed Verbiage of Figure 1) Revised <i>Warranty</i> (Added labor operation for Fuse SC44)
8	02/09/2022	Revised <i>Title</i> (Added Fuse SC44) Revised <i>Condition</i> (Added Fuse SC44 information) Revised <i>Service</i> (Added Fuse SC44 information)

### Customer states:

One or both of the following issues are present:



# Technical Service Bulletin

---

- All-wheel drive does not work.
- The EPC warning lamp is illuminated.

## Workshop findings:

The following DTC is stored in the all-wheel drive control module, -J492- (address word 0022):

- **DTC C111204** (All Wheel Drive clutch pump faulty).

Or

There is no communication with the all-wheel drive control module, -J492- (address word 0022) and a fuse is blown.

## Technical Background

There is an internal leak in the hydraulic pump.

## Production Solution

Improved hydraulic pump.

## Service

1. Before proceeding, confirm that the issue matches the *Condition* exactly.
2. If fuse for the control unit for four-wheel drive is blown replace the applicable fuse and continue.
3. Confirm that the propeller shaft from the transmission to the differential is transmitting power to the rear differential.
4. Replace the BorgWarner™ clutch pump according to the Elsa Repair Manual.
5. Replace the high-performance oil for the Borg Warner™ clutch according to the Elsa Repair Manual.
6. Perform all-wheel drive basic settings.

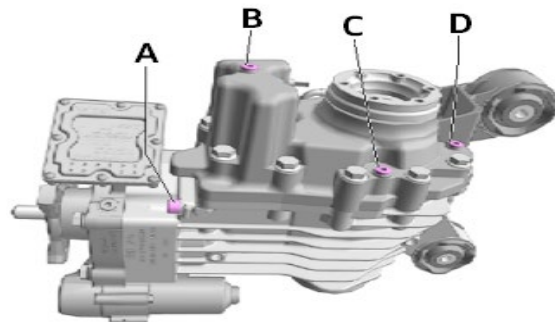


# Technical Service Bulletin

## NOTICE

The final drive and the BorgWarner™ clutch have separate oil circuits. Refer to ETKA for information on which oil to use, and refer to the Elsa Repair Manual for draining and filling information.

- The BorgWarner™ clutch uses high-performance oil for clutches, and the final drive uses gear oil.
- The image on the right (Figure 1) shows the correct drain and fill plugs.



**Figure 1.** Drain plug for BorgWarner clutch oil (A), oil filler plug for BorgWarner clutch oil (B), gear oil drain plug (C), and oil filler plug for gear oil (D).

## Warranty

<b>Claim Type:</b>	<ul style="list-style-type: none"> <li>• 110 up to 48 Months/50,000 miles</li> <li>• G10 for CPO vehicles – Verify Owner</li> <li>• If the vehicle is outside any warranty, this Technical Service Bulletin is informational only.</li> </ul>		
<b>Service Number:</b>	3994		
<b>Damage Code:</b>	0040		
<b>Labor Operations:</b>	Pump for AWD remove + reinstall	3994 1900	See SRT with associated operations
	Replace Fuse (If necessary)	3994 0199	15TU
<b>Diagnostic Time:</b>	GFF	0150 0000	Time stated on the diagnostic protocol (Max 70 TU)
	Road test prior to service procedure	0121 0002	10 TU
	Road test after service procedure	0121 0004	10 TU




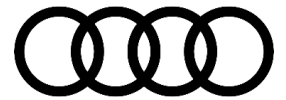
# Technical Service Bulletin

<b>Claim Comment:</b>	As per TSB 2043144/10
-----------------------	-----------------------

All warranty claims submitted for payment must be in accordance with the *Audi Warranty Policies and Procedures Manual*. Claims are subject to review or audit by Audi Warranty.

## Required Parts and Tools

Always check with your Parts Department and/or ETKA for the latest information and parts bulletins.		
Part Number	Part Description	Quantity
<b>TT Model Years 2013-2014</b>		
0AY598549A	Repair kit for primer pump	01
<b>TT and A3 Model Years 2015-2019</b>		
0CQ598549	Repair kit for primer pump	01
<b>Q3 MY 2015</b>		
 <b>NOTICE</b>		
<b>Requires a check of the currently installed part!</b>		
0AY598549A	Repair kit for primer pump (Check the installed part # and order the correct replacement part)	01
<b>Or</b>		
0CQ598549		
<b>Q3 MY 2016-2019</b>		
0CQ598549	Repair kit for primer pump	01
<b>All Vehicles</b>		
G 060175A2	High-performance oil for all-wheel drive coupling	01
N 90281802	Seal bolt	01



# Technical Service Bulletin

---

N 10720201	Bolt with polygon socket head	01
N 91082701	Bolt with hex socket head	01
See ETKA	Fasteners, Bolts, Nuts, and Screws as needed per the Repair Manual	See ETKA/ELSA
See ETKA	Fuse (If needed)	See ETKA/ELSA

## Additional Information

All parts and service references provided in this TSB (2043144) are subject to change and/or removal.

©2024 Audi of America, Inc. All rights reserved. The information contained in this document is based on the latest information available at the time of printing and is subject to the copyright and other intellectual property rights of Audi of America, Inc., its affiliated companies, and its licensors. All rights are reserved to make changes at any time without notice. No part of this document may be reproduced, stored in a retrieval system, or transmitted in any form or by any means, electronic, mechanical, photocopying, recording, or otherwise, nor may these materials be modified or reposted to other sites without the prior expressed written permission of the publisher.