

Cayenne E3.2 Launch Tools

Vehicle Type: **Cayenne (9YA/ 9YB) E3.2**

Subject: **Tooling to support the launch of the E3.2 Cayenne**

Information: Porsche Cars has identified the need for 18 new Special Tools to support the launch of the Cayenne 9YA/ 9YB - E3.2.

The tools included in this package will be delivered via automatic shipment as Minimum Required Tools (MRT). Shipments from SBS will start on February 26, 2024.

Some of the tools in this package (marked >> **DELAYED** <<) are delayed by the manufacturer. They will ship out as stock becomes available. Please note: Dealers with the highest number of HV battery repairs will receive these delayed tools first.

Questions regarding VAS, VAG, and T tools, contact SBS customer care at 1-855-895-2013 or PorscheTEP@SnapOn.com. Polaris numbers PNA, 000.721, 918.721, and P tools, create a PRMS ticket. Technical Support > Special Tools

Cayenne E3.2 Launch Tools



Pressure piece

T40019/4 | ★★ | \$ 11.40*

Model lines	Cayenne (9YA/ 9YB)
Use	Fit sealing ring on the crankshaft
Workshop Manual	137455
Order Number	T40019/4
Supplier	SBS - Porsche.snapon.com
Availability	Immediate availability - Auto-Ship
Location	Temp Storage in Second PORPAN MRT cabinet Dr 41-50
Note	Equipment for the oil seal extractor T40019, serves to push off the crankshaft. 8Cyl. 4.0L



Adapter

T40330/8+/9 | ★★ | \$ 63.60*

Model lines	Cayenne (9YA/ 9YB)
Use	Countering vibration damper
Workshop Manual	137519
Order Number	T40330/8+/9
Supplier	SBS - Porsche.snapon.com
Availability	Immediate availability - Auto-Ship
Location	Temp Storage in Second PORPAN MRT cabinet Dr 41-50
Note	Adapter in conjunction with the counter hold tool T40330 for loosening/fastening the central bolt on the vibration damper on 8-cylinder engines

Cayenne E3.2 Launch Tools



Pressure piece

T40425 | ★★ | \$ 88.00*

Model lines	Cayenne (9YA/ 9YB)
Use	Fitting sealing ring on thermostat housing
Workshop Manual	195819
Order Number	T40425
Supplier	SBS - Porsche.snapon.com
Availability	>> DELAYED << Auto-Ship with availability
Location	Temp Storage in Second PORPAN MRT cabinet Dr 41-50
Note	The thrust piece is required to install the oil seal at the cooling thermostat Tool is delayed by the manufacturer. It will ship to your Porsche Center as they become available.



Adapter

T90006/4 | ★★ | \$ 14.00*

Model lines	Cayenne (9YA/ 9YB)
Use	Cleaning injector duct
Workshop Manual	244019
Order Number	T90006/4
Supplier	SBS - Porsche.snapon.com
Availability	Immediate availability - Auto-Ship
Location	Temp Storage in Second PORPAN MRT cabinet Dr 41-50
Note	The tool is used to clean the injector shaft of the cylinder head; Accessories for the T90006

Cayenne E3.2 Launch Tools



Adapter

T90015 | ★ | \$97.20*

Model lines Cayenne (9YA/ 9YB)

Use Measuring oil level

Workshop Manual 170101

Order Number T90015

Supplier SBS - Porsche.snapon.com

Availability Immediate availability - Auto-Ship

Location Temp Storage in Second PORPAN MRT cabinet Dr 41-50

Note The hose is bolted to the engine to facilitate the measurement with an oil dipstick.



Fixing device

T90016 | ★★★ | \$88.90*

Model lines Cayenne (9YA/ 9YB)

Use Fix camshaft in place

Workshop Manual 150506

Order Number T90016

Supplier SBS - Porsche.snapon.com

Availability Immediate availability - Auto-Ship

Location Temp Storage in Second PORPAN MRT cabinet Dr 41-50

Note Fixes the camshaft in the TDC position

Cayenne E3.2 Launch Tools



Puller

T90030 | ★★ | \$95.30*

Model lines	Cayenne (9YA/ 9YB)
Use	For removing injectors
Workshop Manual	244019
Order Number	T90030
Supplier	SBS - Porsche.snapon.com
Availability	Immediate availability - Auto-Ship
Location	Temp Storage in Second PORPAN MRT cabinet Dr 41-50
Note	



Puller

VAG1922 | ★★ | \$39.30*

Model lines	Cayenne (9YA/ 9YB)
Use	Disconnecting connector
Workshop Manual	153919
Order Number	VAG1922
Supplier	SBS - Porsche.snapon.com
Availability	Immediate availability - Auto-Ship
Location	Temp Storage in Second PORPAN MRT cabinet Dr 41-50
Note	Special pliers for removing and fitting spark plug connectors, in particular heat-shielded connectors

Cayenne E3.2 Launch Tools



Pliers

VAS 211 017 | ★★ | **\$ 100.90***

Model lines	Cayenne (9YA/ 9YB)
Use	Disconnecting electric push-on connector
Workshop Manual	100119
Order Number	VAS 211 017
Supplier	SBS - Porsche.snapon.com
Availability	Immediate availability - Auto-Ship
Location	Temp Storage in Second PORPAN MRT cabinet Dr 41-50
Note	The pliers are used for opening an electrical connector in the engine compartment.



Hook

VAS 281 009 | ★★ | **\$ 22.80***

Model lines	Cayenne (9YA/ 9YB)
Use	Disconnecting electric push-on connector
Workshop Manual	155519
Order Number	VAS 281 009
Supplier	SBS - Porsche.snapon.com
Availability	Immediate availability - Auto-Ship
Location	Temp Storage in Second PORPAN MRT cabinet Dr 41-50
Note	T-hook with plastic handle. For opening an electrical connector in the engine compartment

Cayenne E3.2 Launch Tools



Guide plate

VAS 5161A/45 | ★★★ | \$178.50*

Model lines	Cayenne (9YA/ 9YB)
Use	Fitting and removing valves
Workshop Manual	156119
Order Number	VAS 5161A/45
Supplier	SBS - Porsche.snapon.com
Availability	Immediate availability - Auto-Ship
Location	Temp Storage in Second PORPAN MRT cabinet Dr 41-50
Note	Accessories for removing and installing tool VAS 5161A. The guide plate is required for removing and installing the valves on the engine.

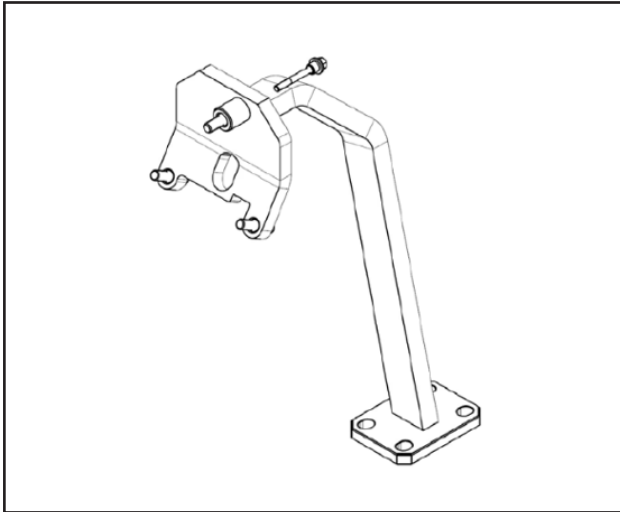


Diagnostic cable

VAS 5581A/17 | ★★ | \$256.60*

Model lines	Cayenne (9YA/ 9YB)
Use	Classify connecting line for diagnostic box, high-voltage battery in removed state (PHEV 2.0)
Workshop Manual	2X00IN classification of a high-voltage battery
Order Number	VAS 5581A/17
Supplier	SBS - Porsche.snapon.com
Availability	Immediate availability - Auto-Ship
Location	Orange HV Toolbox Expansion Area
Note	For adapting the high-voltage diagnostics box VAS 5581/VAS 5581A to the electrical connector of the battery management system of the high-voltage battery.

Cayenne E3.2 Launch Tools



Engine bracket

VAS 6095/1-17B | ★★ | \$ 234.20*

Model lines	Cayenne (9YA/ 9YB)
Use	Engine mount
Workshop Manual	100113
Order Number	VAS 6095/1-17B
Supplier	SBS - Porsche.snapon.com
Availability	Immediate availability - Auto-Ship
Location	Temp Storage in Second PORPAN MRT cabinet Dr 41-50
Note	VAS 6095/1- 17B has an increased load capacity of 340kg VAS 6095/1- 17B is backward compatible

Discontinue the use of the VAS 6095/1-17A moving forward



Engine bracket

VAS 6095/1-24 | ★★ | \$ 254.20*

Model lines	Cayenne (9YA/ 9YB)
Use	Engine mount
Workshop Manual	100113
Order Number	VAS 6095/1-24
Supplier	SBS - Porsche.snapon.com
Availability	Immediate availability - Auto-Ship
Location	Temp Storage in Second PORPAN MRT cabinet Dr 41-50
Note	The engine bracket is required to accommodate V8 engines installed lengthwise together with the VAS 6095/1-17B on the VAS 6095.

Cayenne E3.2 Launch Tools



Camshaft sensor calibration unit

VAS 652 007 | ★★★ | \$1,616.10*

Model lines	Cayenne (9YA/ 9YB)
Use	Calibrating camshaft sensors
Workshop Manual	150502
Order Number	VAS 652 007
Supplier	SBS - Porsche.snapon.com
Availability	Immediate availability - Auto-Ship
Location	Temp Storage in Second PORPAN MRT cabinet Dr 41-50
Note	The batteries charge using the included charging cable. Software updates can be programmed using the included USB cable. The calibration device VAS 652 007 switches off automatically after 10 minutes.



HV test adapter (X2)

VAS 6558A/45 | ★★ | \$360.10* each

Model lines	Cayenne (9YA/ 9YB)
Use	HV system measurements
Workshop Manual	2X00IN
Order Number	VAS 6558A/45
Supplier	SBS - Porsche.snapon.com
Availability	Immediate availability - Auto-Ship
Location	Orange HV Toolbox Expansion Area
Note	The high-voltage test adapter VAS 6558A/45 is required in combination with the high-voltage measuring module VAS 6558A for measuring isolation from the power supply in the high-voltage system. 2 Pieces required.

Cayenne E3.2 Launch Tools



HV test adapter

VAS 6558A/47 | ★★ | \$ 482.70*

Model lines	Cayenne (9YA/ 9YB)
Use	HV system measurements
Workshop Manual	2X00IN
Order Number	VAS 6558A/47
Supplier	SBS - Porsche.snapon.com
Availability	Immediate availability - Auto-Ship
Location	Orange HV Toolbox Expansion Area
Note	The high-voltage test adapter is used in conjunction with the high-voltage measuring module VAS 6558A for testing the high-voltage lines (line measurements and for measuring the insulation resistance) in high-voltage components.



Lifting Eye (X4)

VAS 691 013 | ★★ | \$ 93.30* each

Model lines	Cayenne (9YA/ 9YB)
Use	Removing and installing high-voltage battery
Workshop Manual	270819
Order Number	VAS 691 013
Supplier	SBS - Porsche.snapon.com
Availability	>> DELAYED << Auto-Ship with availability
Location	Temp Storage in Second PORPAN MRT cabinet Dr 41-50
Note	4 Pieces are required

Tool is delayed by the manufacturer. It will ship to your Porsche Center as they become available.

Cayenne E3.2 Launch Tools

General

Information: **Ordering Process:**

Tools identified with a prefix of VAS, VAG and "T":
Place orders via porsche.snapon.com.

Tools with a prefix of 000 721, 918 721, PNA or "P"
Place orders via POLARIS (PPL).

Diagnostic Equipment:

Open a PRMS ticket. Technical Support >> [Tester Support](#)

Special Tool Support:

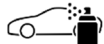

For questions related to VAS, VAG, and "T" tools:
contact SBS customer care at 1-855-895-2013 or PorscheTEP@SnapOn.com.

For Polaris numbers 000.721, 918.721, PNA and "P" tools:
Open a PRMS ticket. Technical Support >> [Special Tools](#)

Diagnostic Equipment:

Open a PRMS ticket. Technical Support >> [Tester Support](#)

Workshop Equipment Classification

- ★ Servicing and maintenance
- ★★ Replacement of units and assemblies
- ★★★ Disassembly of units and assemblies
- ★★★★ Rental
-  Body & Paint
-  High-voltage

***All prices shown are valid as of the day of publishing and are subject to change without notice.**