

Air Conditioner Clutch Continuously Engaged on M2 Plus Vehicles

TSB-54-363-FTL

Creation Date:2024-02-02

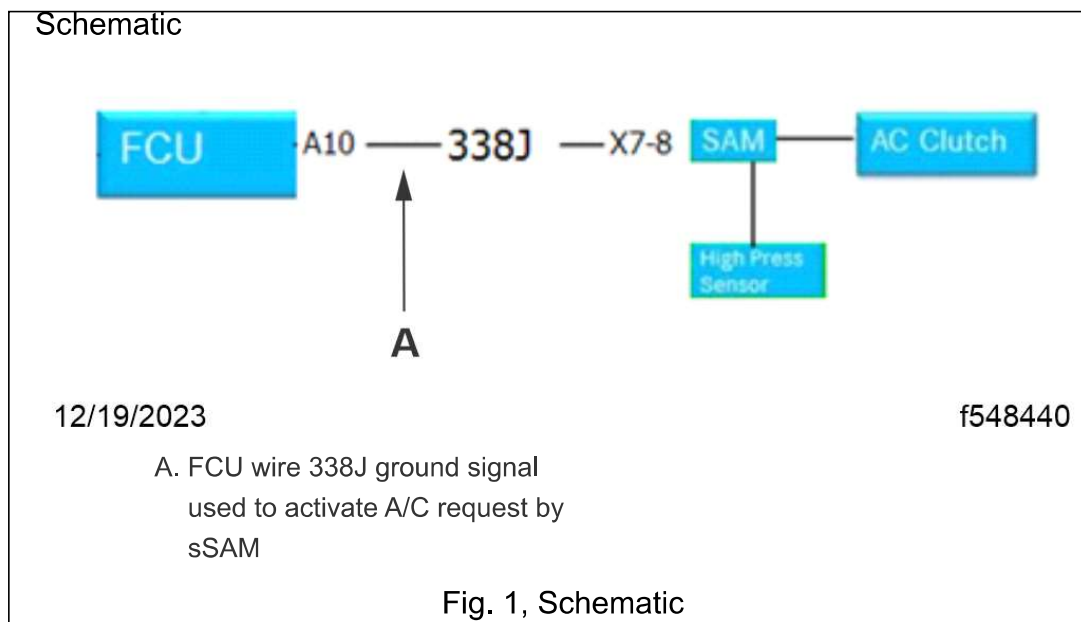
Last Revision Date:2024-02-09

Engine or Vehicle Affected:

► Business Class M2-Plus

General Information

M2 Plus vehicles built from August 18, 2022 through June 22, 2023 and equipped with a Cummins engine may experience a continuous engagement of the air conditioner (A/C) clutch. These vehicles utilize an HVAC front controller unit (FCU) that does not connect to a CAN network. Instead, the HVAC FCU employs a ground output signal to request A/C clutch activation from the sSAM. See Fig. 1. However, in certain scenarios, the ground input value may be misinterpreted by the sSAM, causing the A/C clutch to activate. Ground resistance values used by the sSAM to validate A/C requests from the FCU is controlled by sSAM programming. To address this issue, the sSAM parameter FSC Logic Block 21_25 needs to be updated to A0294571658-007 FSC Logic Block 21 25 Default 007.



Programming of the sSAM

- Park the vehicle on a level surface, shut down the engine, and apply the parking brake. Chock the tires.
- Does the A/C compressor constantly engage?
 - Yes → Go to step 3.
 - No → No action is required.

3. In the list of parameters, locate 'FSC Logic Block 21_25.' Expand the drop-down menu in the 'Value' column and verify the parameter is set to A0294571658-007 FSC Logic Block 21 25 Default 007'. See Fig. 2.

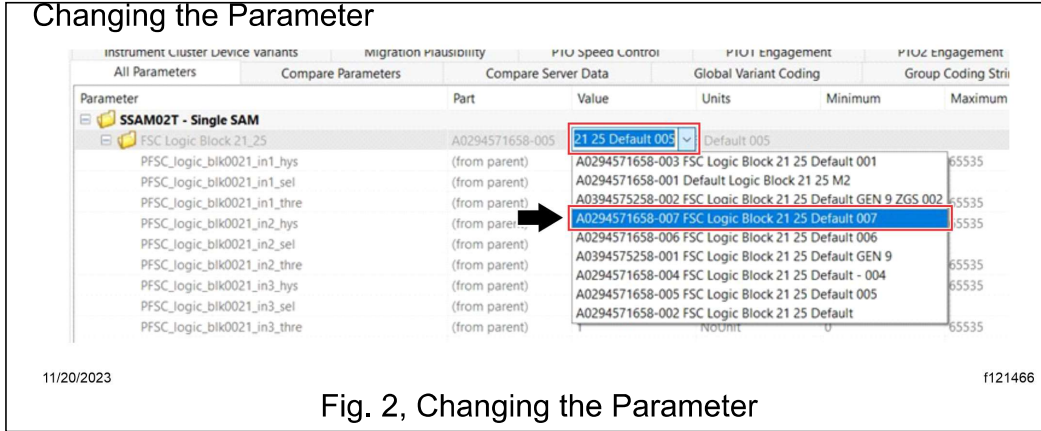


Fig. 2, Changing the Parameter

Warranty

This is an informational bulletin only. Warranty does not apply.

Note:

F07,F18
TROUBLESHOOT
SSAM02T

CONTACT INFORMATION

Please contact the Customer Assistance Center (CAC) if you have questions.

Phone: 1-800-253-0422

Document Number:0000081809