

**** TECHNICAL INFORMATION NOTICE ****

DATE: January 10, 2024
TO: Mitsubishi Motors US & Puerto Rico Dealer Parts & Service Managers
RE: Assembling Vertical Tow Ball and Mount
TIN NO.: TIN-24-66-001

AFFECTED VEHICLES/PART NUMBERS/PACKAGE CODE:

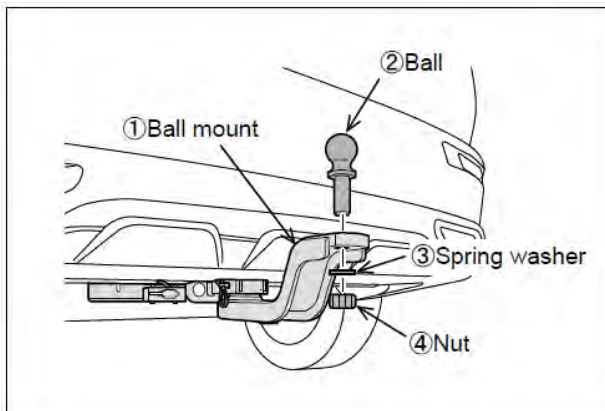
2024 Outlander / MZ315325 / FW
2024 Outlander Plug-in Hybrid / MZ315327 / FW
2024 Eclipse Cross / MZ315320 / FW

PURPOSE:

With the introduction of the Vertical Tow Hitch, the purpose of this TIN is to remind Mitsubishi Dealers to assemble the Vertical Tow Ball and Mount Assembly prior to delivery of the vehicle. Please reference the major steps shown below and/or reference the printed instruction manuals included with the parts.

2024 Outlander / MZ315325 / FW
2024 Outlander Plug-in Hybrid / MZ315327 / FW

- 1)** Remove Tow Hitch Receiver Cover and place in cargo storage area.
- 2)** Install Tow Ball Mount to Tow Hitch.
- 3)** Assess Tow Ball Mount clearance condition in the Tow Hitch. Add shims, as needed.
- 4)** Attach the Tow Hitch and Tow Ball Mount with J-Pin.
- 5)** Attach R-Pin to J-Pin.
- 6)** Attach Ball, Spring Washer, and Nut to Tow Ball Mount. Torque to specifications.

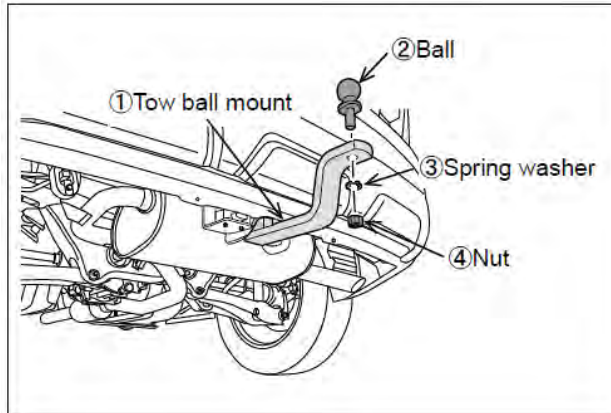


5) Attach ②Ball, ③Spring washer and ④Nut to ①Tow ball mount.

Tightening torque value
④Nut: 350 Nm (258.15 ft-lb)

2024 Eclipse Cross / MZ315320 / FW

- 1)** Remove Tow Hitch Receiver Cover and place in cargo storage area.
- 2)** Install Tow Ball Mount to Tow Hitch.
- 3)** Attach the Tow Hitch and Tow Ball Mount with J-Pin.
- 4)** Attach R-Pin to J-Pin.
- 5)** Attach Ball, Spring Washer, and Nut to Tow Ball Mount. Torque to specifications.



4) Attach ②Ball, ③Spring washer and ④Nut to ①Tow ball mount.

Tightening torque value
④Nut: 339 Nm (250 ft-lb)

