



Technical Service Bulletin

34 Function restriction with event memory entry P071800 - P276800 (symptom 20736 - 20737)

34 24 67 2067653/6 January 12, 2024. Supersedes Technical Service Bulletin Group 34 number 23-66 dated December 12, 2023 for reasons listed below.

Model(s)	Year	VIN Range	Vehicle-Specific Equipment
A6, A6 allroad, A7, Q5, and Q5 e quattro	2020 – 2023	All	DL 382 Transmission
A4, A4 allroad, A5, A5 Cabriolet, A5 Sportback, and Q5 Sportback	2021 – 2023		
A7 e quattro	2021 – 2022		

Condition

REVISION HISTORY		
Revision	Date	Purpose
6	-	Revised Service (Changed Gearbox Production Date)
5	12/12/2023	Revised header (Removed Model Year) Revised <i>Service</i> (Changed Gearbox Production Date, Edited Service Instructions, Edited Note)
4	11/01/2023	Revised header (Added Model Year)

Customer states:

- “Gearbox Malfunction” is displayed in the instrument cluster.

and/or

- Vehicle intermittently does not shift up or down.

and/or

- Vehicle is in limp home mode.

and/or

- “Reverse gear unavailable” is displayed in the instrument cluster.



Technical Service Bulletin

and/or

- “You can continue driving (functions limited)” is displayed in the instrument cluster.

Workshop findings:

- The customer complaint(s) can be reproduced.

The following DTC(s) are stored in the transmission control module (TCM), J217 (address word 0002):

- **DTC: P071800** “Input/Turbine Speed Sensor ‘A’ Circuit Intermittent”, passive/sporadic with Symptom Code: 20736.

and/or

- **DTC: P276800** “Input/Turbine Shaft Speed Sensor ‘B’ Circuit Intermittent”, passive/sporadic with Symptom Code 20737.

Also possible in combination with above DTCs.

- **DTC: P081100** “Excessive Clutch Slippage”, passive/sporadic with Symptom Code 20870.

and/or

- **DTC: P081E00** “Clutch 2 excessive clutch slippage”, passive/sporadic with Symptom Code 20872.

Technical Background

Not applicable.

Production Solution

Improved Transmission Control Unit in Production.

Service

Try to reproduce the customer complaint (based on the description and DTCs), so that it can be clearly assigned to this TSB.



This TSB only applies to a specific date range of the transmission. If the manufacturing date of the transmission is not within the affected range, this TSB does not apply.



Technical Service Bulletin

- First determine if the Transmission was built within the date range of June 15, 2020, and April 30, 2023.
- Check one of the transmission data stamps which are located on the bottom of the front differential and the top of the bell housing (Figure 1).

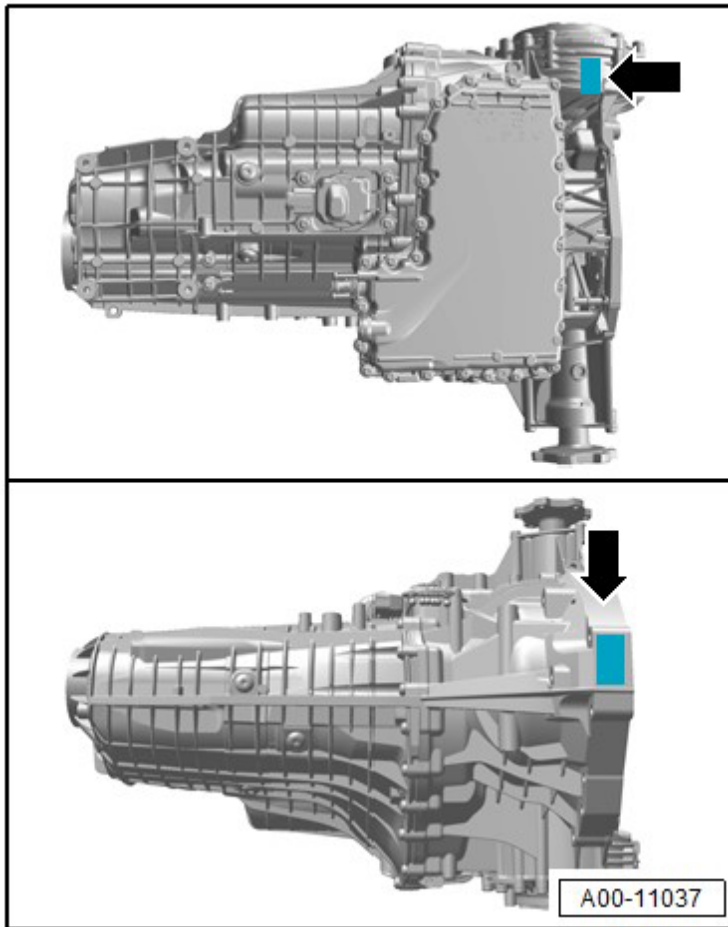


Figure 1. Locations of data stampings.

The Data Stamping contains the following information:

Production Data: 006SVHC021170K180228

Transmission Code: SVH

Serial Number: C021170K

Production Date: 28.02.2018. Day/Month/Year format. Example shown would be February 28th 2018.

If the date is within the date range of June 15, 2020, and April 30, 2023:

- Event memory entry P071800 logged (active/static):



Technical Service Bulletin

- If the event memory entry “P071800 – Input/Turbine Speed Sensor "A" Circuit Intermittent” is stored *active/static*, the repair in this TSB does not apply to this case. Follow the ODIS test plan completely and accurately.
- **Event memory entry P071800 logged (passive/intermittent):**
 - If the event memory entry “P071800 – Input/Turbine Speed Sensor "A" Circuit Intermittent” is stored *passive/sporadic*, replace the transmission control unit J217 according to the Workshop Manual.
- **Event memory entry P276800 logged (active/static):**
 - If the event memory entry “P276800 – Input/Turbine Shaft Speed Sensor "B" Circuit Intermittent” is stored *active/static*, the repair in this TSB does not apply to this case. Follow the ODIS test plan completely and accurately.
- **Event memory entry P276800 logged (passive/intermittent):**
 - If the event memory entry “P276800 – Input/Turbine Shaft Speed Sensor "B" Circuit Intermittent” is logged *passive/sporadic*, replace the transmission control unit J217 according to the Workshop Manual.



Use the “Replace control module” test program to do so.

Test drive to confirm the concern is repaired.

Warranty

Claim Type:	<ul style="list-style-type: none"> • 110 up to 48 Months/50,000 Miles. • G10 for CPO Covered Vehicles – Verify Owner. • If the vehicle is outside any warranty, this Technical Service Bulletin is informational only. 		
Service Number:	3511		
Damage Code:	0040		
Labor Operations:	Remove and install mechatronic unit	3511 19xx	See SRT with associated operations



Technical Service Bulletin

	Remove and install control unit (some models may have predecessor labor operations which may also be claimed)	3481 1950	See SRT with associated operations
Diagnostic Time:	GFF	0150 0000	Time stated on diagnostic protocol (Max 80 TU)
	Road test prior to service procedure	0121 0002	10 TU
	Road test after service procedure	0121 0004	10 TU
Claim Comment:	As per TSB 2067653/6		

All warranty claims submitted for payment must be in accordance with the *Audi Warranty Policies and Procedures Manual*. Claims are subject to review or audit by Audi Warranty.

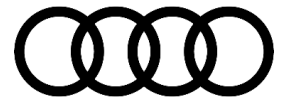
Required Parts and Tools

Always check with your Parts Department and/or ETKA for the latest information and parts bulletins.		
Part Number	Part Description	Quantity
See ETKA	Fasteners, Bolts, Nuts, and Screws as needed per the Repair Manual	See ETKA/ELSA
Order to VIN	Control unit for 7 speed gearbox	01
Order to VIN	Gasket for oil pan, Plugs, tube from oil pan to transmission cooler.	See ETKA/ELSA

Additional Information

All parts and service references provided in this TSB (**2067653**) are subject to change and/or removal.

©2024 Audi of America, Inc. All rights reserved. The information contained in this document is based on the latest information available at the time of printing and is subject to the copyright and other intellectual property rights of Audi of America, Inc., its affiliated companies, and its licensors. All rights are reserved to make changes



Technical Service Bulletin

at any time without notice. No part of this document may be reproduced, stored in a retrieval system, or transmitted in any form or by any means, electronic, mechanical, photocopying, recording, or otherwise, nor may these materials be modified or reposted to other sites without the prior expressed written permission of the publisher.