

**Volvo Car USA LLC****Technical Journal**

Technical Journal Title <b>Turbo wastegate rod rattling noise</b>		Ref. No. <b>TJ 36734.2.0</b>	
Issuer (Dept.) <b>Technical Service</b>		Issue Date <b>12/05/23</b>	Status Date <b>12/22/23</b>
Car Market <b>United States and Canada</b>	Partner <b>3 US 7510 Volvo Car USA</b>	Function Group <b>2550</b>	
Function Description <b>Turbocharger</b>		Page <b>Page 1 of 8</b>	

**Attachment**

File Name	File Size
VCC-527900-1.pdf	0.0719 MB
VCC-527900-2.pdf	0.0711 MB

Rows beginning with \* are modified

Note! If using a printed copy of this Technical Journal, first check for the latest online version.

**DESCRIPTION:**

If customer complains of noise from the turbo wastegate rod, please follow advice under “Service”.

**CSC** Customer Symptom Codes

Code	Description
F6	Complete vehicle/Unusual noise/During deceleration
8N	Driving/Unusual noise/Unsure when/at all times
F2	Driving/Unusual noise/During acceleration
ZE	Idling/Unusual noise
XB	Exhaust system/Rattle/rumble

**DTC** Diagnostic Trouble Codes**Vehicle Type**

Type	Eng	Eng Desc	Sales	Body	Gear	Steer	Model Year	Plant	Chassis range	Struc Week Range
224	L1	BL1KERS					2022-2024		-	202122-203333
227	L1	BL1KERS					2023-2024		-	202222-202334
246	L1	BL1KERS					2022-2024		-	202122-202346
536	K9	BK9KERS					2023-2024		-	202222-202334
536	L1	BL1KERS					2023-2024		-	202222-202334

**SERVICE:**

Verify that the rattling noise is coming from the wastegate rod by comparing it to the noise in attached file [TJ36734\\_1.mp4](#).

The wastegate rod is available as a new spare part.

Please order part number 32436087 “Wastegate Kit” (includes a new stay and a clip)

Proceed with replacement of the wastegate rod according to attachments *VCC-527900-1.pdf* (SPA) or *VCC-527900-2.pdf* (CMA) depending on vehicle variant.

**Warranty claim info:**

To get a warranty claim accepted for a job described in this TJ, use the corresponding VST OP number stated in this TJ.

Note that the TJ number must be stated in the repair order text.

**VST** Operation Number

<b>VST Operation Number</b>	<b>Description</b>
25506-2	Turbocharger (TC) * 1 remove-install/replace
99921-2	General Reimbursement acc to TJ

**VEHICLE REPORT:**

Yes, please submit a Vehicle Report if the service solution described in this TJ has no effect. Use concern area “Vehicle Report” and sub concern area “Support not needed”, use function group 2550.

**To view TJ attachments continue to next page. This TJ has two attachments and one sound file.**



## Volvo Car Customer Service

TJ Instruction VCC-527900-1

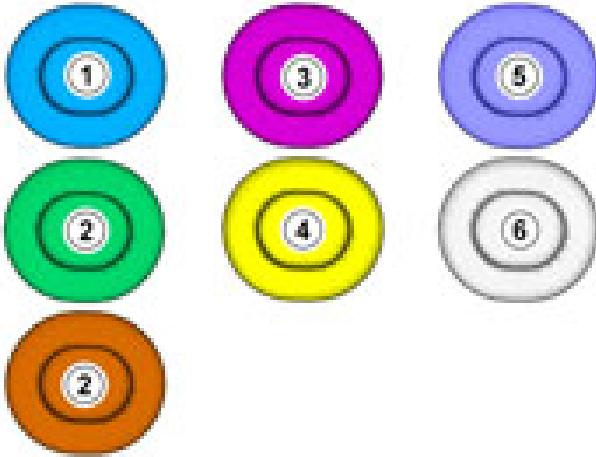
<b>Title</b>	Turbo control valve, wastegate	<b>Page</b>	1 ( 3 )
<b>Action</b>	Replacement	<b>Operation number:</b>	

<b>Issue</b>	<b>Date</b>	<b>Reason</b>
1	2023-10	First issue

### Affected vehicles

<b>Model year</b>	<b>Model</b>	<b>Engine</b>
2021, 2022	S60 (19-)	B420T10, T2, T3, T6
2021, 2022	S90 (17-)	B420T10, T2, T6
2021, 2022	S90L	B420T2, T6
2021, 2022	V60 (19-)	B420T10, T2, T3, T6
2021, 2022	V60 Cross Country (19-)	B420T10, T2
2021, 2022	V90 (17-)	B420T2, T6
2021, 2022	V90 Cross Country	B420T10, T2
2020, 2021, 2022	XC60 (18-)	B420T10, T2, T6
2020, 2021, 2022	XC90 (16-)	B420T10, T2

### Color symbols

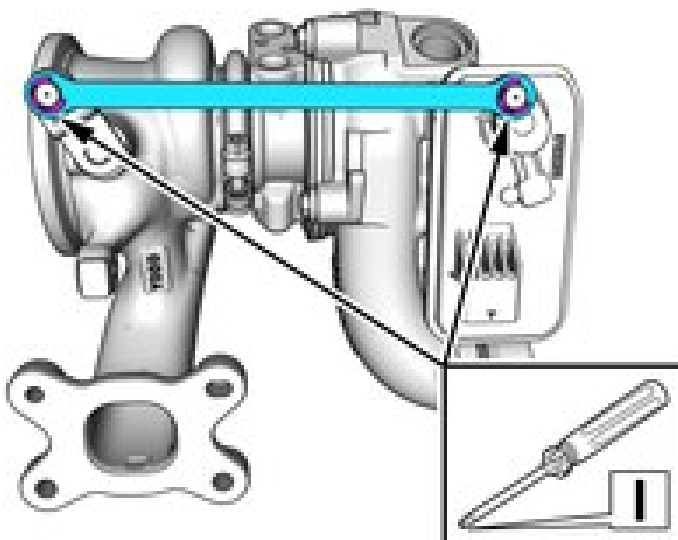


**Note! This colour chart displays (in colour print and electronic version) the importance of the different colours used in the images of the method steps.**

- 1 . Used for focused component, the component with which you will do something.
- 2 . Used as extra colors when you need to show or differentiate additional parts.
- 3 . Used for attachments that are to be removed/installed. May be screws, clips, connectors, etc.
- 4 . Used when the component is not fully removed from the vehicle but only hung to the side.
- 5 . Used for standard tools and special tools.
- 6 . Used as background color for vehicle components.

### Removal

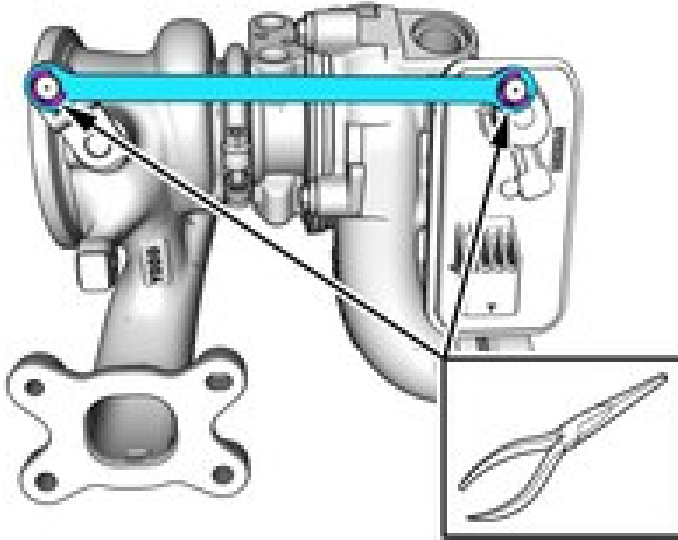
Remove turbocharger , refer to:  
 Removal, replacement and installation  
 2 - Engine with mountings and equipment  
 25 - Intake and exhaust system  
 255 - turbocharger



Remove the clips.  
 Remove the marked part.

**Installation**

Install the marked component.  
Install the clip(s).



Install turbocharger , refer to:  
Removal, replacement and installation  
2 - Engine with mountings and equipment  
25 - Intake and exhaust system  
255 - turbocharger



## Volvo Car Customer Service

TJ Instruction VCC-527900-2

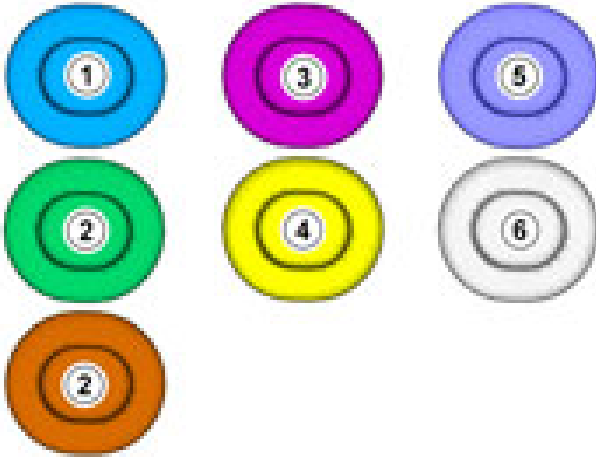
<b>Title</b>	Turbo control valve, wastegate	<b>Page</b>	1 ( 3 )
<b>Action</b>	Replacement	<b>Operation number:</b>	

<b>Issue</b>	<b>Date</b>	<b>Reason</b>
1	2023-10	First issue

### Affected vehicles

<b>Model year</b>	<b>Model</b>	<b>Engine</b>
2021, 2022	XC40	B420T10, T2, T6

### Color symbols

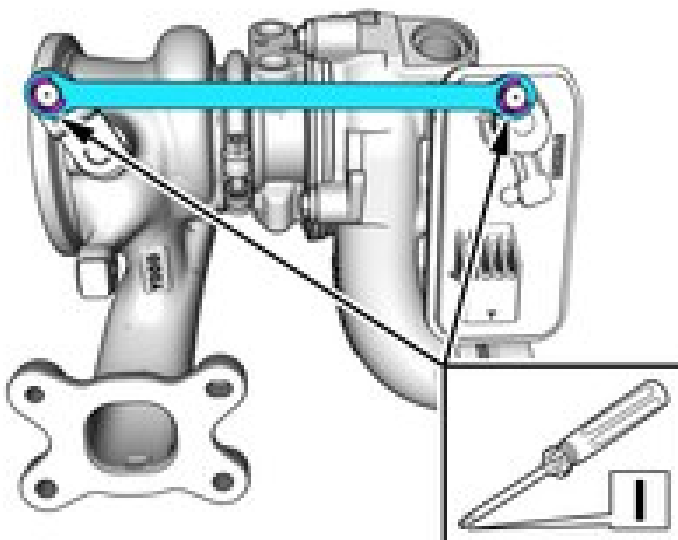


**Note!** This colour chart displays (in colour print and electronic version) the importance of the different colours used in the images of the method steps.

- 1 . Used for focused component, the component with which you will do something.
- 2 . Used as extra colors when you need to show or differentiate additional parts.
- 3 . Used for attachments that are to be removed/installed. May be screws, clips, connectors, etc.
- 4 . Used when the component is not fully removed from the vehicle but only hung to the side.
- 5 . Used for standard tools and special tools.
- 6 . Used as background color for vehicle components.

### Removal

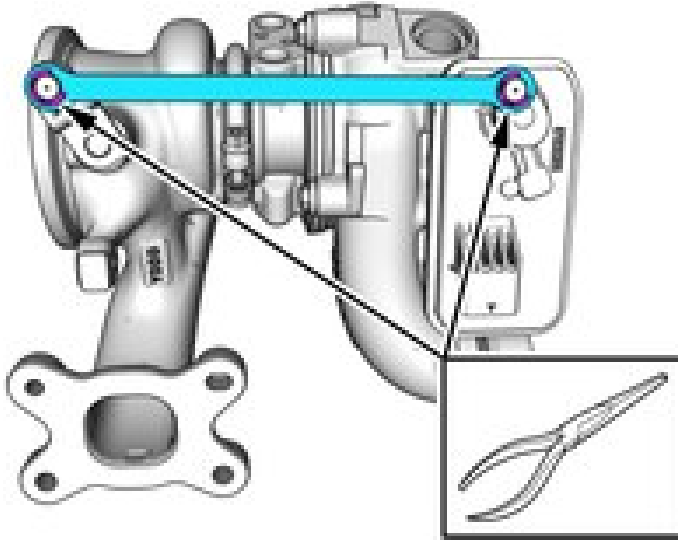
Remove turbocharger , refer to:  
 Removal, replacement and installation  
 2 - Engine with mountings and equipment  
 25 - Intake and exhaust system  
 255 - turbocharger



Remove the clips.  
 Remove the marked part.

**Installation**

Install the marked component.  
Install the clip(s).



Install turbocharger , refer to:  
Removal, replacement and installation  
2 - Engine with mountings and equipment  
25 - Intake and exhaust system  
255 - turbocharger