



Countries: CANADA, UNITED STATES Document ID: IK1500106
Availability: ISIS, IsSIR Revision: 0
Major System: Fuel system Created: 7/20/2023
Current Language: English Last Modified: 12/13/2023
Other Languages: NONE Author: Greg Scheff
Viewed: 117

[Less Info](#)

Hide Details

Coding Information

Copy Link 	Copy Relative Link 	Bookmark View My Bookmarks	Add to Favorites 	Print 	Provide Feedback 	Helpful 3	Not Helpful 0
---------------	------------------------	---	----------------------	-----------	----------------------	------------------	----------------------

Title: Cracked Air Cleaner Housings on Certain HX Chassis

Applies To: Pre 2021 HX chassis equipped with X15 and the 0012VBG Cowl Mounted Air Cleaner Assembly

CHANGE LOG

Please refer to the change log text box below for recent changes to this article:

12-12-2023 - Initial Article Release

DESCRIPTION

This document will guide the user through inspection of the air cleaner housing for possible cracks on certain HX chassis equipped with the X15 built prior to January 2021, and have the cowl mounted 3529036C92 air cleaner assy. In certain severe service applications, the air cleaner housing can crack from excess cab movement. A new intake tube has been released that incorporates a hump hose which will allow movement in the air inlet piping preventing the housing cracks.

CUSTOMER OBSERVATIONS OR CONCERNS:

The customer may or may not notice any change in performance or operation right away. There may be a sudden change in turbo noise, or a gradual increase in oil consumption. For the X15 it may eventually start setting high crankcase pressure faults if engine damage is occurring from dirt ingestion. For customers who perform oil analysis, a sudden increase in silicon may be seen with other wear elements increasing over time with continued operation.

SPECIAL TOOL(s) / SOFTWARE

N/A

SERVICE PARTS INFORMATION

Kit Description	Part Number	Quantity Required	Notes
Air Cleaner Assy	3529036C92	1	Replace if cracked
Hose, Air Cleaner	4492980C91	1	
Pipe, Air	4491596C1	1	

DIAGNOSTIC STEP(s)

WARNING! To prevent property damage, personal injury, and / or death, park vehicle on a hard, flat surface, turn the engine off, set the parking brake, and install wheel chocks to prevent the vehicle from moving in either direction.

WARNING! To prevent property damage, personal injury, and / or death, if the vehicle must be raised, do not work under the vehicle supported only by jacks. Jacks can slip or fall over.

WARNING! To prevent personal injury and / or death, always wear safe eye protection when performing vehicle maintenance.

WARNING! To prevent property damage, personal injury, and / or death, keep flames or sparks away from vehicle and do not smoke while servicing the vehicle's batteries. Batteries expel explosive gases.

WARNING! To prevent property damage, personal injury, and / or death, remove the ground cable from the negative terminal of the battery box before disconnecting any electrical components. Always connect the ground cable last.

1. Open the hood and visually inspect the air cleaner assembly for any cracks around the mounts or around the air inlet pipe opening (See **Figure #1**). If cracks are found, proceed to step 2.

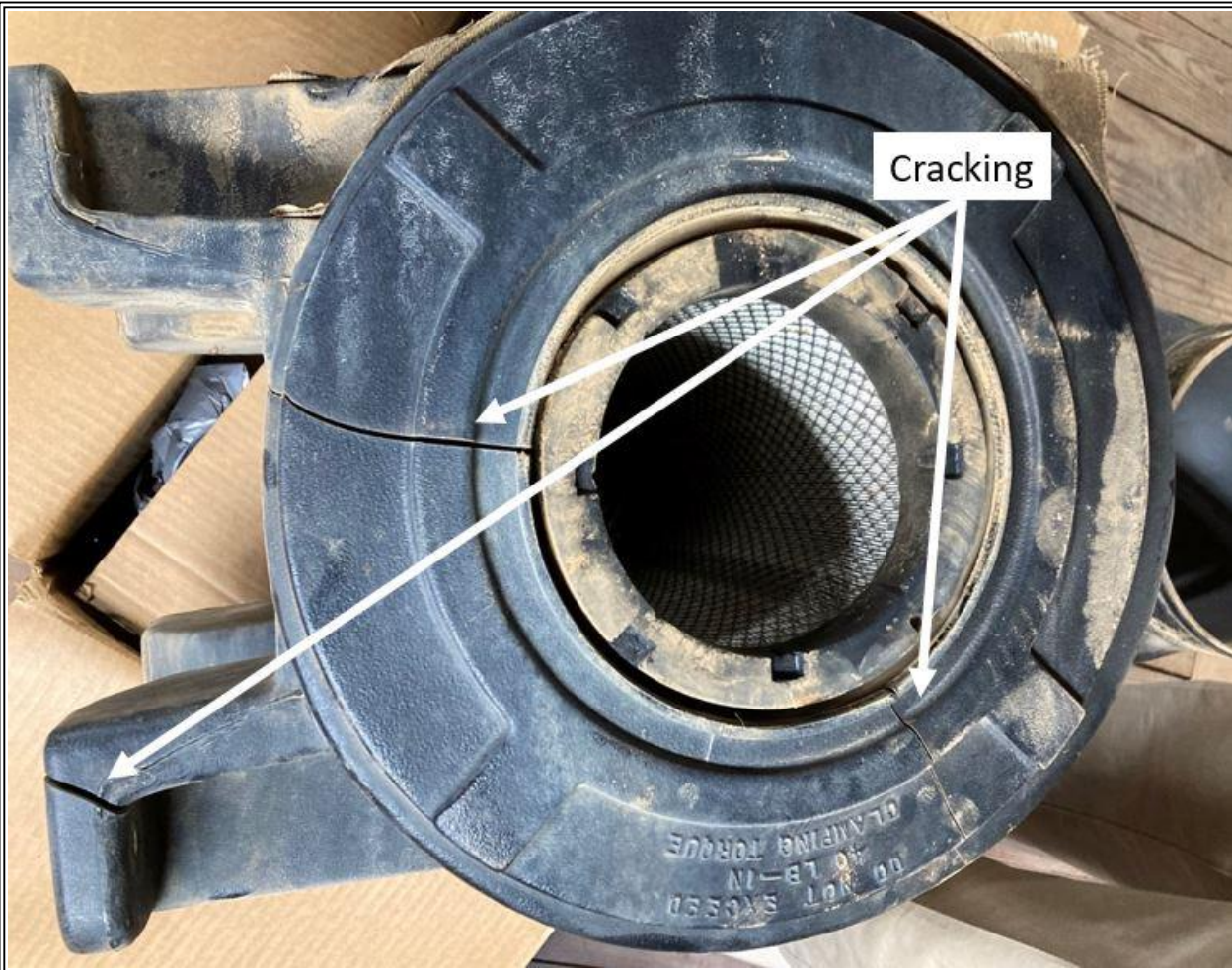


Figure #1: Air Cleaner Housing Cracks

REPAIR STEP(s)



Figure #2: Original Air Inlet Tube Assembly

2. Remove the original air inlet tube assembly from the air cleaner and turbo (**Figure #2**)
3. Remove the metal pipe in the center section of the assembly and set aside

INSTALLATION PROCEDURE:

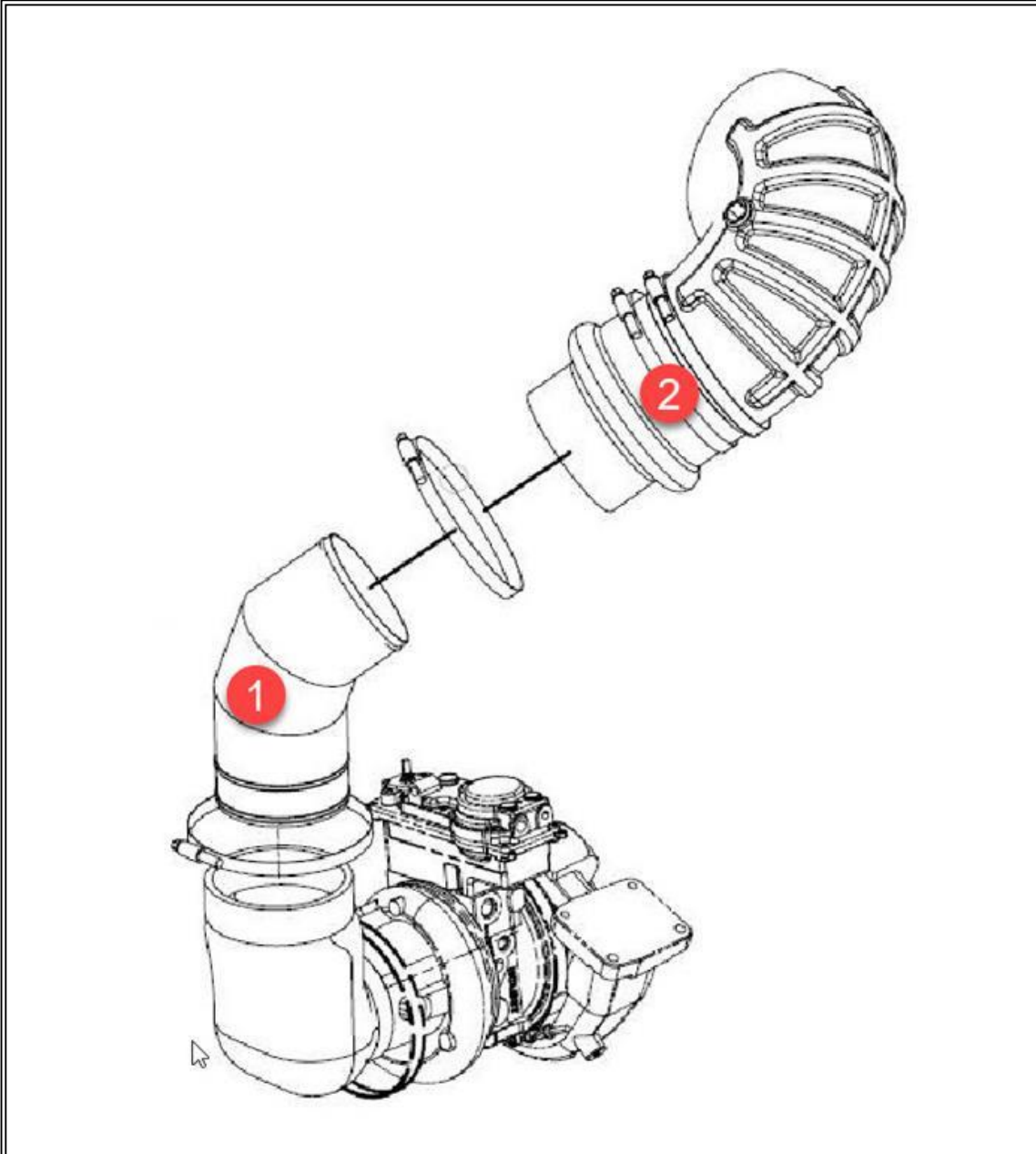
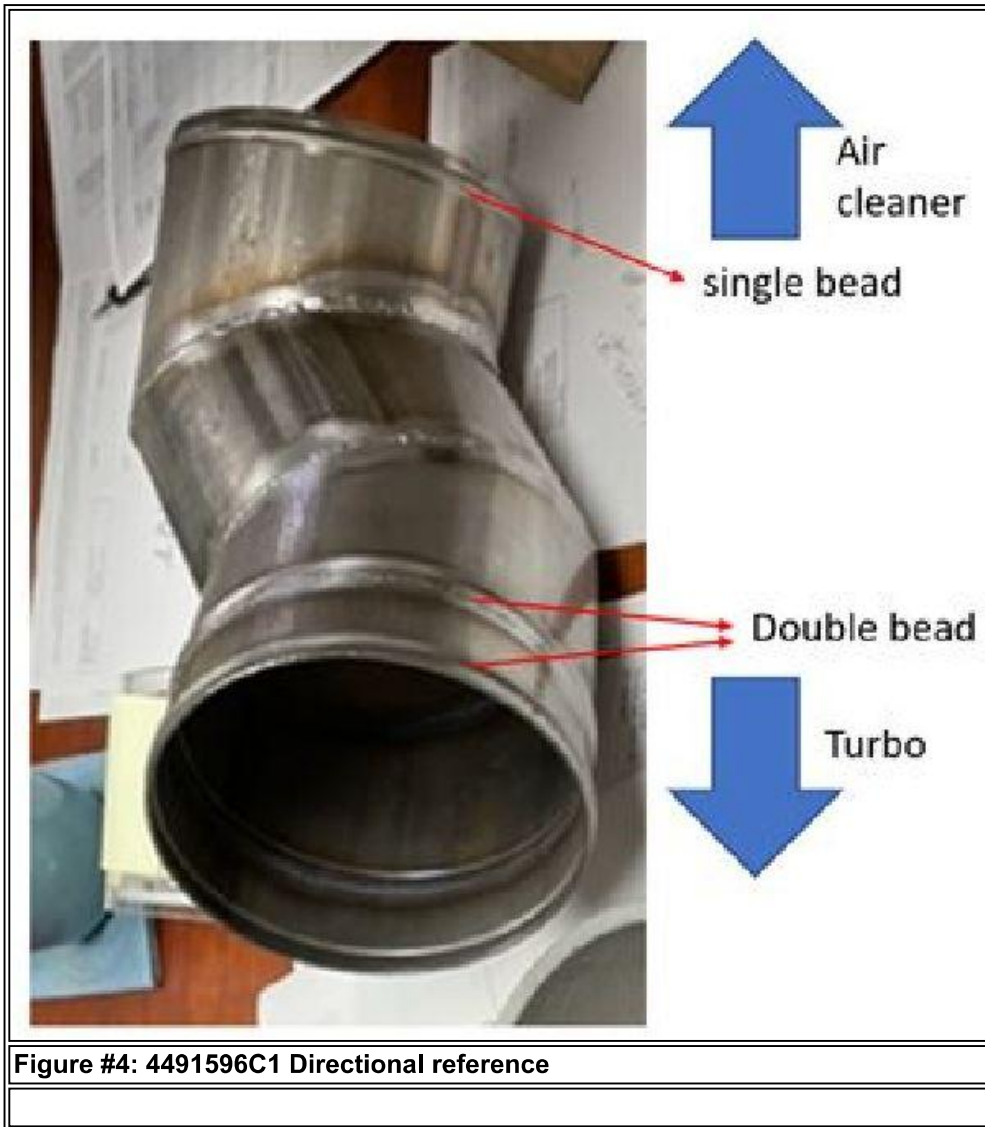


Figure #3: New Inlet Air Pipe Assembly

- Item 1: New 4491596C1 Pipe, Air
- Item 2: New 4492980C91 Hose, Air Cleaner

4. Assemble the new 4491596C1 pipe (**Figure #3 Item 1**), to the new 4492980C91 (**Figure #3 Item 2**) flex hose. **NOTE:** The new 4491596C1 pipe, is directional. Take note of the raised beads on each end of the pipe (**Figure #4**). The end with two

raised beads must face the turbo. Loosly assemble the new pipe and flex hose assembly to the original inlet boots on the turbo inlet and air cleaner housing ends. Do not tighten clamps until the final installation.



5. If the 3529036C92 air cleaner housing was cracked, replace it with new
6. Install the new tube assembly to the air cleaner and turbo, adjust as needed for proper fitment.
7. Tighten all hose clamps to 30-35 In Lbs.

WARRANTY INFORMATION

Warranty Claim Coding:

Refer to the [Warranty Coding Manual](#) for Group and Noun Codes.

Standard Repair Time(s):

Refer to the [SRT Manual](#) for Repair Times

OTHER RESOURCES

 Hide Details

Feedback Information

Viewed: 116
Helpful: 3
Not Helpful: 0

No Feedback Found