



**Countries:** CANADA, MEXICO, UNITED STATES  
**Availability:** ISIS, FleetSIS, NotSIR  
**Major System:** Electrical  
**Current Language:** English  
**Other Languages:** NONE  
**Viewed:** 72

**Document ID:** IK0800663  
**Revision:** 0  
**Created:** 12/6/2023  
**Last Modified:** 12/20/2023  
**Author:** Anthony Tondola

[Less Info](#)

Hide Details

Coding Information

<b>Copy Link</b> 	<b>Copy Relative Link</b> 	<b>Bookmark</b>  <a href="#">View My Bookmarks</a>	<b>Add to Favorites</b> 	<b>Print</b> 	<b>Provide Feedback</b> 	<b>Helpful</b>  2	<b>Not Helpful</b>  0
----------------------	-------------------------------	--	-----------------------------	------------------	-----------------------------	-------------------------	-----------------------------

**Title: Corroded TPMS Receiver/Repeater Module Connectors (0016VLS & 0016VVM)**

**Applies To: LT, RH with 0016VLS & 0016VVM Tire Pressure Monitoring System (TPMS)**

## **CHANGE LOG**

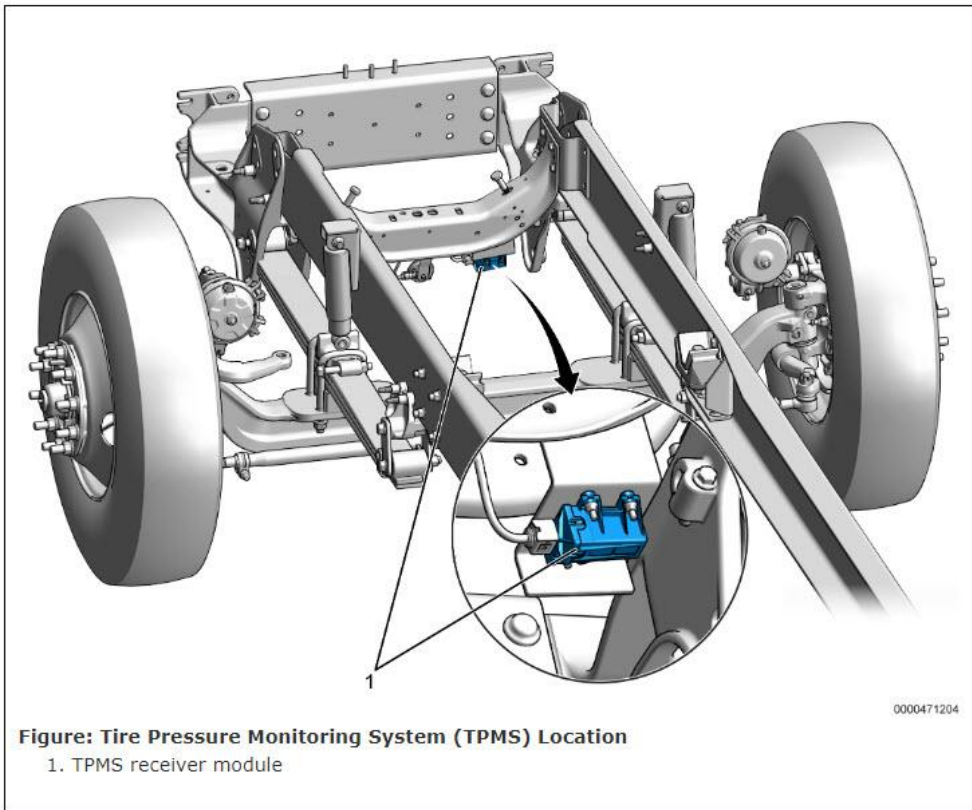
Please refer to the change log text box below for recent changes to this article:

12/20/2023 - Initial Article Release

## **DESCRIPTION**

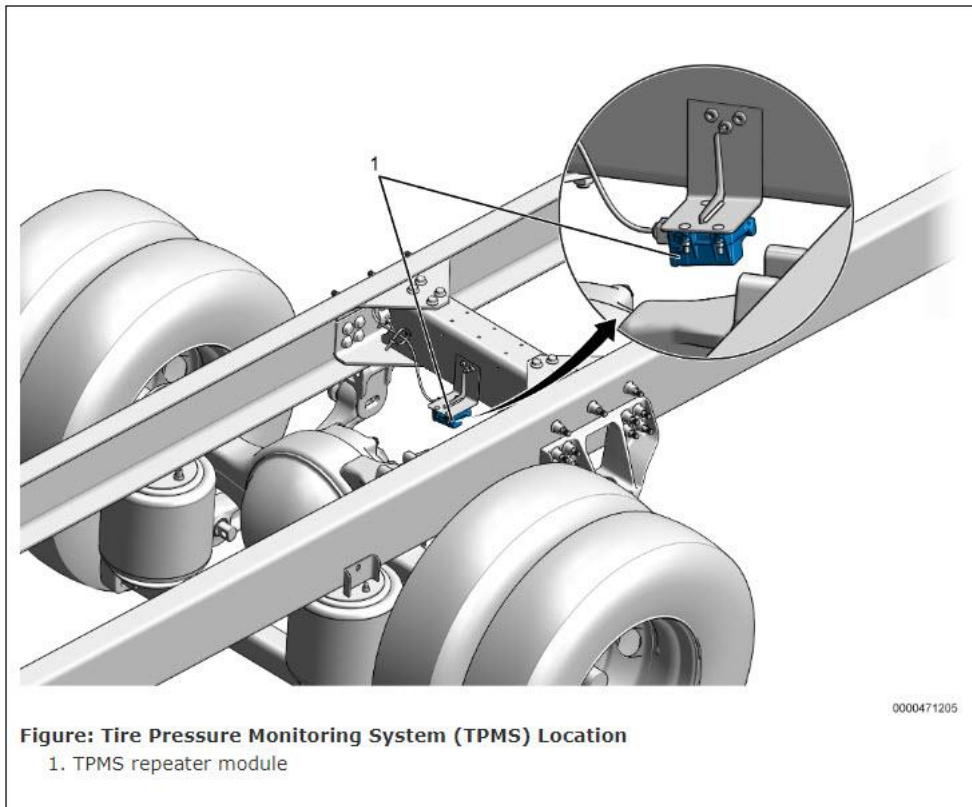
This document will guide the user through inspecting the Tire Pressure Monitoring System (TPMS) receiver and repeater module connectors for corrosion, as well as provide a parts list if corrosion is found.

This only applies to LT and RH units built with 0016VLS & 0016VVM Tire Pressure Monitoring System (TPMS).



**Figure: Tire Pressure Monitoring System (TPMS) Location**

1. TPMS receiver module



**Figure: Tire Pressure Monitoring System (TPMS) Location**

1. TPMS repeater module

## **SYMPTOM(s)**

**Diagnostic Trouble Code(s) & Dashboard Indicator Light(s):**

DTC/Light	Description
-----------	-------------

SPN 1697 FMI 9	Sensor Communication Loss
SPN 516096 FMI 9	Repeater RF Communication Loss
SPN 516097 FMI 13	Repeater Configuration Error

**Customer Observations or Concerns:**

- TPMS System Inoperative
- TPMS Error Displayed in Cluster

**SPECIAL TOOL(s) / SOFTWARE**


Tool Description	Tool Number	Comments	Instructions
N/A			

[Tools Resource Center](#)

**SERVICE PARTS INFORMATION**

Kit Description	Part Number	Quantity Required	Notes
CONNECTOR, BODY	4140239C1	As Needed	This connector is used for both the receiver and repeater modules
CONNECTOR, TERMINAL	4086472C1	As Needed	
CAVITY, PLUG	3577744C1	As Needed	
WIRE, SEAL	3573653C1	As Needed	
TRANSMITTER, PRESSURE, LDL RCU	4188308C1	As Needed	
ANTENNA (REPEATER), TIRE PRESSURE MONITOR SYSTEM	4275238C1	As Needed	

**DIAGNOSTIC STEP(s)**

 <b>WARNING:</b>	<p>To prevent personal injury and/or death, always wear safe eye protection when</p>
--	--

performing vehicle maintenance.



**WARNING:**

To prevent property damage, personal injury, and/or death, park the vehicle on a hard, flat surface, turn the engine off, set the parking brake, and install wheel chocks to prevent the vehicle from moving in either direction.



**WARNING:**

To prevent property damage, personal injury, and/or death, keep flames or sparks away from the vehicle, and do not smoke while servicing the vehicle's batteries. Batteries expel explosive gases.

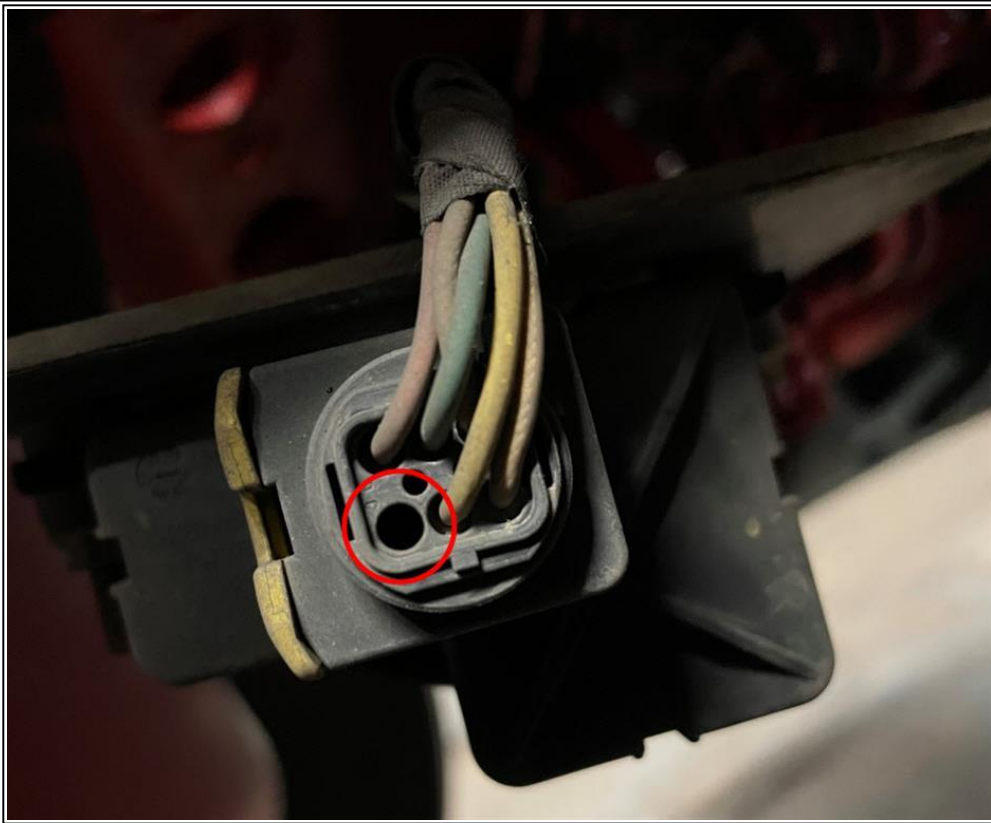
**NOTE:**

Any unused cavities in the connector **MUST** have a sealing plug installed. Failure to install a sealing plug in any of the empty cavities will result in a repeat failure for the TPMS module and connector.

Step	Action	Decision
1	<p><b>DIAGNOSTIC: Inspect the receiver and repeater module connectors for corrosion. (Figures 1 and 2)</b></p> <p>Is corrosion present in either module connector?</p>	<p><b>Yes.</b> Replace the connector and module.</p> <ul style="list-style-type: none"><li>• Ensure all empty cavities in the connector have a sealing plug installed (Figure 2)</li></ul> <p><b>No.</b> This document does not apply. Refer to the appropriate service manual. Proceed to published diagnostics and diagnose and repair as necessary.</p>



**Figure 1: Connector Corrosion**



**Figure 2: Unused Cavity Missing the Sealing Plug**

## **WARRANTY INFORMATION**

### **Warranty Claim Coding:**

Refer to the [Warranty Coding Manual](#) for Group and Noun Codes.

### **Standard Repair Time(s):**

Refer to the [SRT Manual](#) for Repair Times

## **OTHER RESOURCES**

[Master Service Information Site](#)

 [Hide Details](#)

#### Feedback Information

Viewed: 71

Helpful: 2

Not Helpful: 0

No Feedback Found