



LRBe CCCM Cover

Service Category Service Department

Section Function Group 371

Technician Skill Level A

Market North America

Applicability

Mack

Model Years	Models
2022-2023	LRBE

Introduction

Mack trucks has determined that the CCCM (Combined Charging system Control Module) on certain LRBe model trucks could experience water intrusion causing damage to the CCCM. A cover for CCCM has been developed to resolve this issue. Please follow the instruction below to install the CCCM cover.

Production Change Information

This bulletin applies to vehicles built within the specified production changes below.

Brand	Engine	Emission Level	Starting Build Date	Ending Build Date
Mack	BEV	EM-ZE	22-April-2021	14-December-2022

Warranty Information

This repair is covered by an authorized Service Program. Reimbursement is obtained through the normal claim handling process.		
Claim Type (used only when uploading from the Dealer Bus. Sys.)		B
Main Labor Code	Description	Hours
1720-16-09-01	Campaign, General 0.1x5	0.5
Causal Part	24178377	
SCC Authorization Code	S3766	
Expiration Date	December 31, 2024	

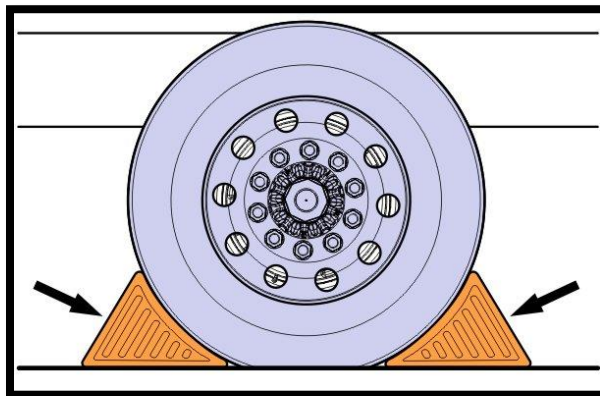
LRBe CCCM Cover

Parts

Part Numbers	Part Description	Quantity
24585017	Bracket	1
24585030	CCCM Cover	1
60113395	Flange Screws	6

Repair Procedure

1. Park the vehicle on a level surface.
2. Apply parking brake.
3. Place the transmission in park or neutral.
4. Turn off the ignition.
5. Install wheel chocks.

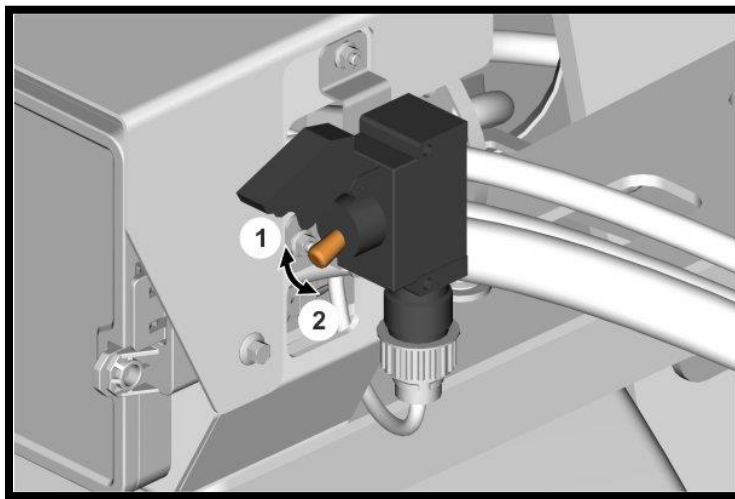


LRBe CCCM Cover

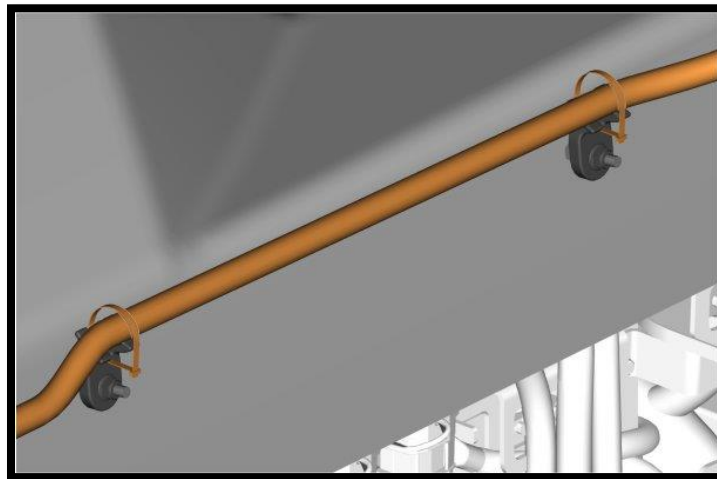
6. Set the chassis switch to position (1).

Switch Position

Position	Status
1	OFF
2	ON



7. Tilt the cab forward.
8. Remove the cable ties.
9. Move aside the hoses.

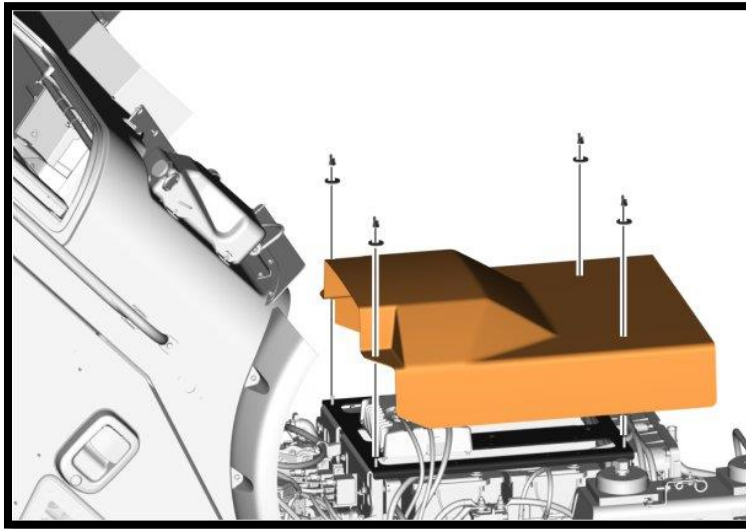


LRBe CCCM Cover

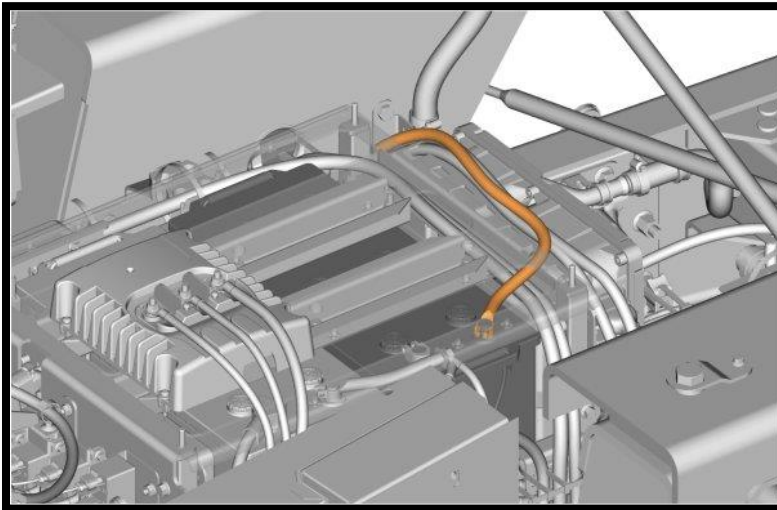
10. Remove the wing nuts.

11. Remove the washers.

12. Remove the cover.

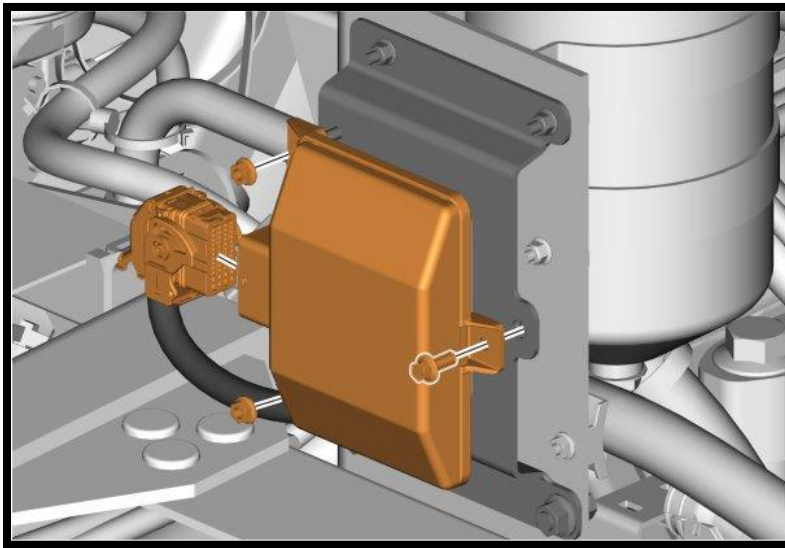


13. Disconnect the cable from the negative terminal.



LRBe CCCM Cover

14. Remove the nuts and screws.
15. Disconnect the connector.
16. Remove the CCCM (Combined Charging system Control Module).

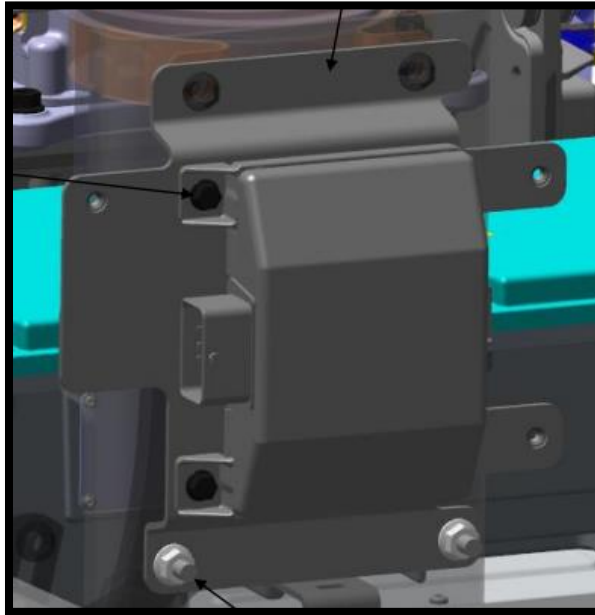


17. Remove the nuts and screws.
18. Remove and discard the CCCM bracket.

LRBe CCCM Cover

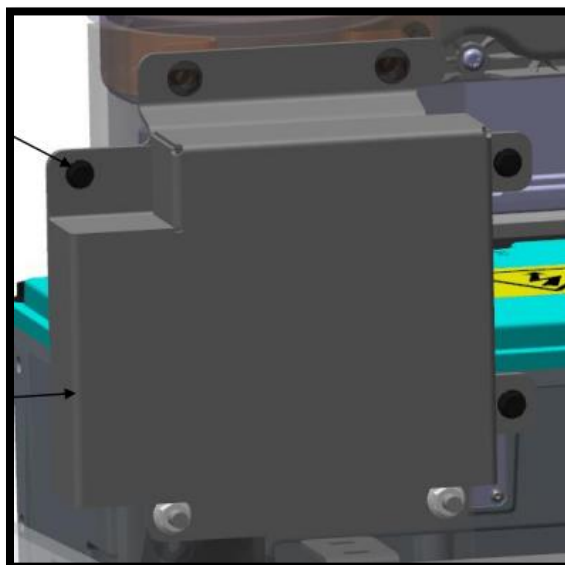
19. Install the new CCCM mounting bracket P/N 24585017. Reuse the removed brackets hardware.

20. Install the CCCM.



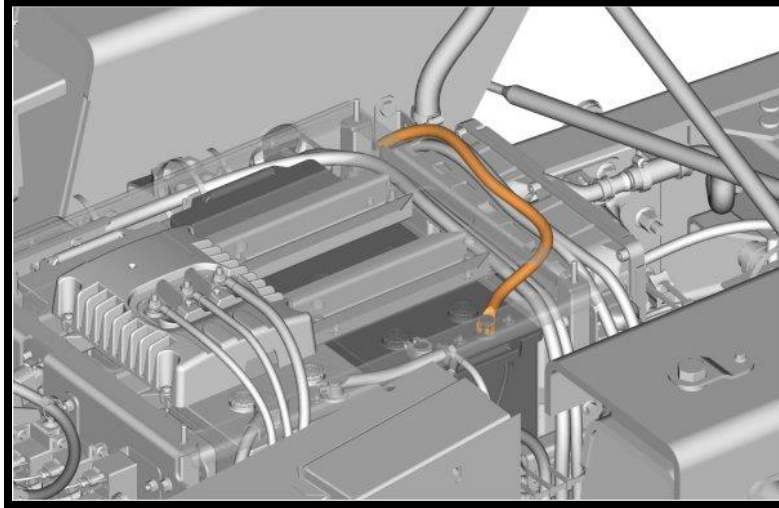
21. Connect the connector.

22. Install the new CCCM cover P/N 24585030 using flange screws P/N 60113395.



LRBe CCCM Cover

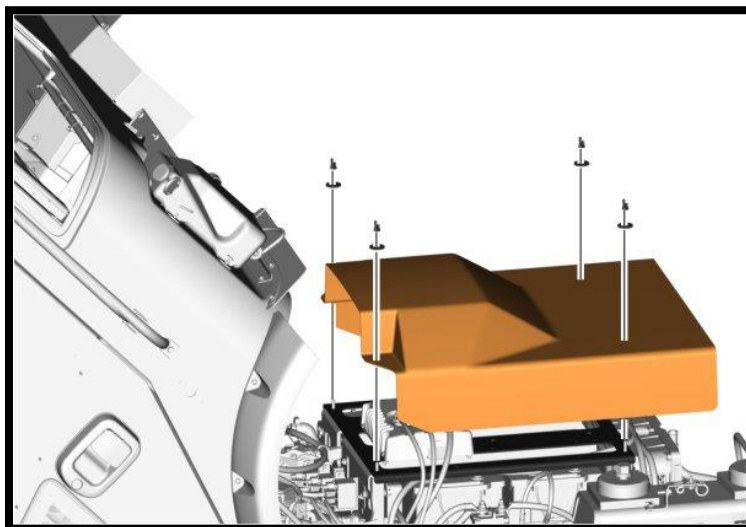
23. Connect the cable to the negative terminal.



24. Install the cover.

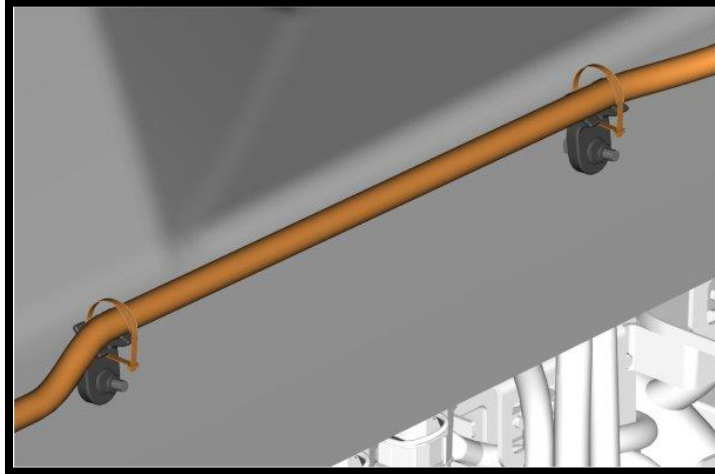
25. Install the washers.

26. Install the wing nuts.



LRBe CCCM Cover

27. Position hose and secure with cable ties.

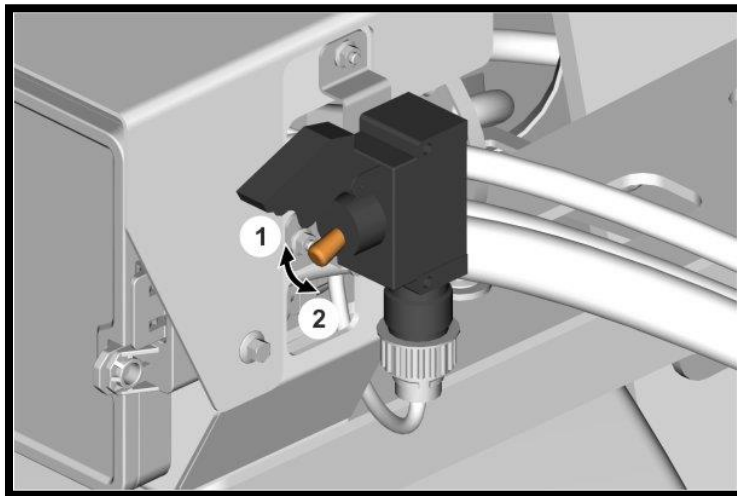


28. Tilt cab over.

29. Set the chassis switch to position (2).

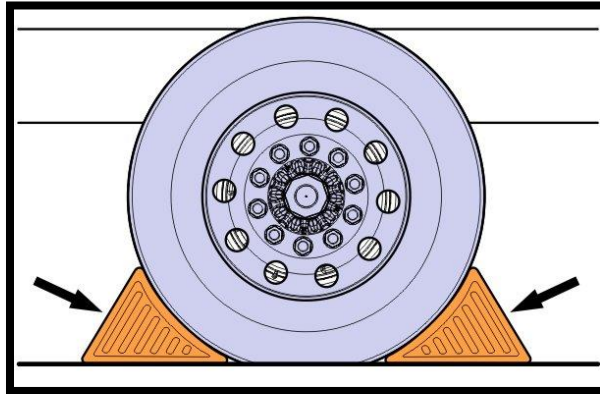
Switch Position

Position	Status
1	OFF
2	ON



LRBe CCCM Cover

30. Remove wheel chocks.



31. Return the truck to service.