



SIB 52 18 23

2023-12-15

NOISE HEARD FROM SEAT MOTOR WHEN MOVING THE FRONT SEAT

THIS REPAIR IS MOBILE FRIENDLY

MODEL

E-Series	Model Description
G01	X3 Sport Activity Vehicle
G02	X4 Sport Activity Vehicle

SITUATION

A noise can be heard from underneath the seat while the seat is being moved either forwards or backwards. This can occur to the driver's and/or the passenger's front seat.

CAUSE



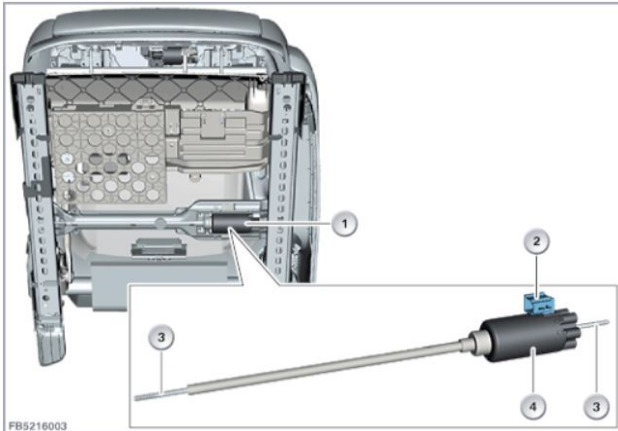
The electric motor for forward/back seat adjustment (SLV motor) may have become loose from its plastic mounting tray, allowing the drive cable mechanism to rub (arrow).

CORRECTION

Make sure the motor for the forward/back seat adjustment is properly sitting in the plastic tray. Secure it in place with a plastic zip tie (aka cable strap).

PROCEDURE

1. Move the seat bottom to highest position to allow access underneath.



1. Make sure the electric motor for forward/back seat adjustment is properly sitting in the plastic tray.

- 1= Forward/back seat adjustment motor
- 2=Electrical connection
- 3=Spindle (drive cable)
- 4= Motor



2, If it is not, secure the electric motor for the forward/back seat adjustment in place with a plastic zip tie.

Note: The zip tie part number listed below has a push tab retainer (bracket) on it that is not needed; it can be removed.

NOTE: The drive cable can become damaged if one side of the seat track is blocked by a foreign object. Ensure seat rails are clear of debris.

PARTS INFORMATION

When applicable, to determine the part number that applies to the specific vehicle being repaired, enter the VIN/chassis number into either ETK or AIR, this will consider the specific equipment and/or options that are fitted to the vehicle.

Part Number	Description	Quantity
61 13 8 384 831	Cable strap with bracket (L=300 mm)	1

CLAIM INFORMATION

Covered under the terms of the BMW New Vehicle Limited Warranty for Passenger Cars and Light Trucks as described below.

Repair Code:	6731003900	Electric drive of the forward/back seat adjustment on the front seat Unpleasant noises
---------------------	-------------------	---

Diagnosis

Labor Operation	Description	Labor Allowance
67 00 009*	Work time for checking electrical (seat) drive(s) correct function (attachment looseness) (Plusposition or Main as applicable)	WT
Or		
00 58 500*	Diagnosis Worktime Flat Rate (Plusposition)	2 FRU
Or		
00 58 000*	Diagnosis Worktime Flat Rate (Main work)	3 FRU

Only one Main work flat rate labor operation code can be claimed per workshop visit.

For applicable centers, if work time labor operation code 67 00 009 includes Main work, then only use the Plusposition labor operation codes for any other repairs that are being performed.

And, together with the repair below that was performed.

Repairing One Side or Both Sides

Labor Operation	Description	Labor Allowance
67 99 000	Work time to secure the electric motor for the forward/back seat adjustment in place with a plastic zip tie (one-side, left or right)	2 FRU
Or:		
67 99 000	Work time to secure the electric motors for the forward/back seat adjustment in place with a plastic zip tie (both sides)	3 FRU

Work time labor operation code 67 99 000 is not considered a Main labor operation.

(*) Based on which one applies to your center, please refer to **SI B01 01 20** or **B01 07 20** for the applicable procedure for documenting, claiming, and explaining, on the RO and in the claim comments, your diagnosis work time (WT), job/repair work time (WT), and the vehicle repairs your center performed, unless otherwise required by State law.

FEEDBACK REGARDING THIS BULLETIN

Technical Feedback	To submit feedback for the technical topic of this bulletin: Submit your feedback in the rating box at the top of this bulletin
Warranty Feedback	To submit feedback for the CLAIMS section of this bulletin: Submit an IDS ticket to the Warranty Department, or use the chat available in the Warranty Documentation Portal
Parts Feedback	To submit feedback for the PARTS section of this bulletin: Submit an IDS ticket to the Parts Department

