



# Technical Service Bulletin

**20 EVAP charcoal filter line (N80) - ticking/thumping noise in passenger compartment (rear) - V6 3.0 TFSI**  
20 23 64 2067759/3 December 12, 2023. Supersedes Technical Service Bulletin Group 20 number 23-60 dated May 5, 2023 for reasons listed below.

Model(s)	Year	VIN Range	Vehicle-Specific Equipment
Q8	2019 – 2025	All	Not applicable
SQ8	2024 - 2025		

## Condition

REVISION HISTORY		
Revision	Date	Purpose
3	-	Revised header (Add Model Year 24 and 25)
2	05/05/2023	Revised header (Add Model Year 23)
1	04/25/2023	Initial publication

### Customer statement:

- Ticking and/or thumping noises can be heard, primarily when sitting in the right rear seat.
- The noises mostly occur at idling speed.

### Workshop findings:

- The activated charcoal filter solenoid valve (N80) vibrates the activated charcoal filter line; this results in a ticking and/or thumping noise.

## Technical Background

The activated charcoal filter solenoid valve vibrates the activated charcoal filter line; this results in a ticking and/or thumping noise.

## Production Solution

Not applicable.

## Service



# Technical Service Bulletin

---

1. Fit sleeves (figures 1, 2) with part number 4KD 201 255 on the activated charcoal filter line (figure 3, item 8).



**Figure 1:** Sleeve 4KD 201 255.

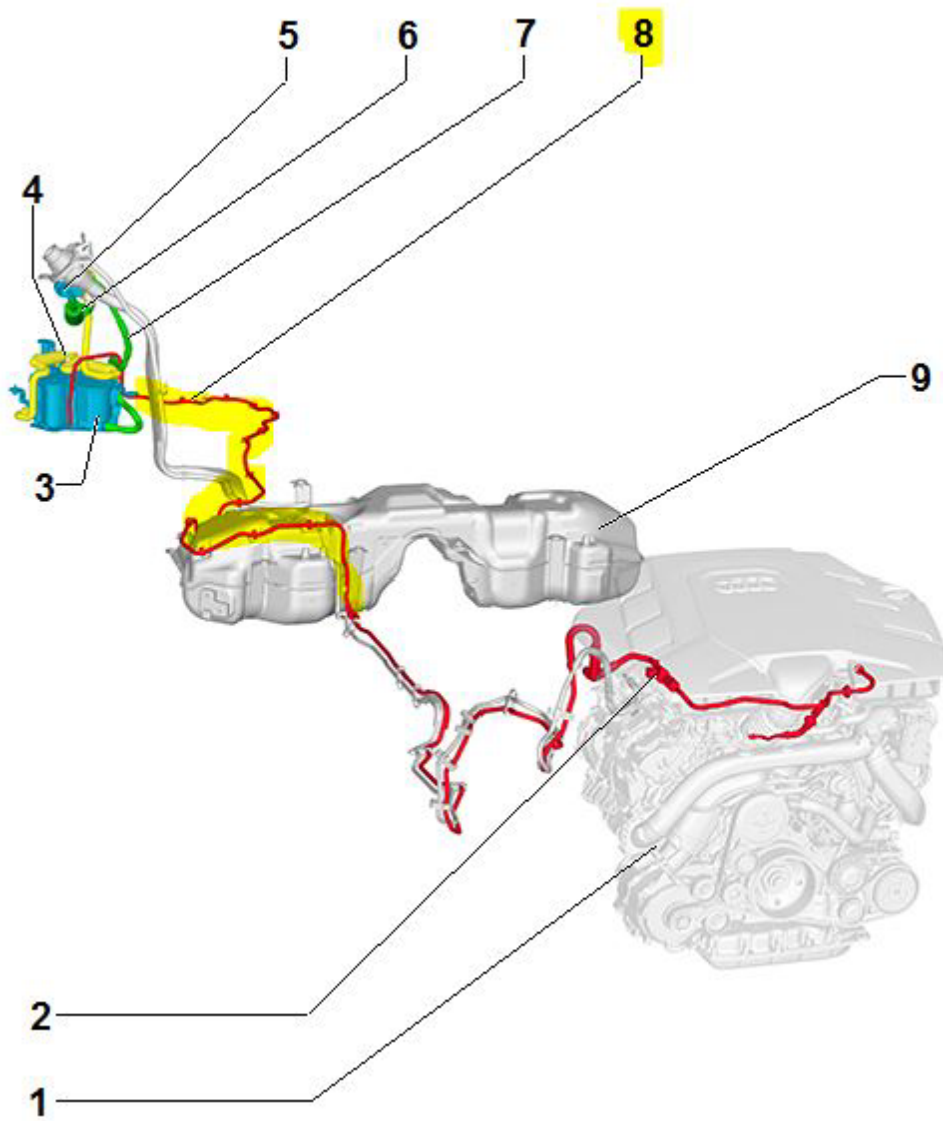


**Figure 2:** Sleeves installed on the activated charcoal filter line.



# Technical Service Bulletin

---

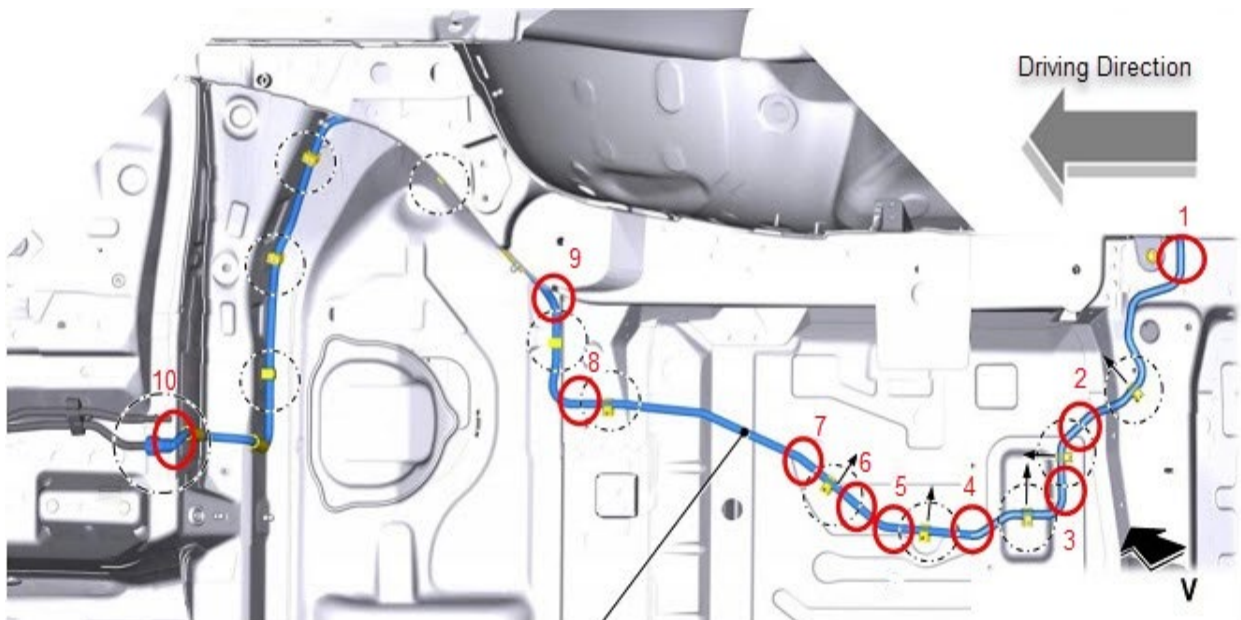


**Figure 3:** Sleeve installation location is highlighted.

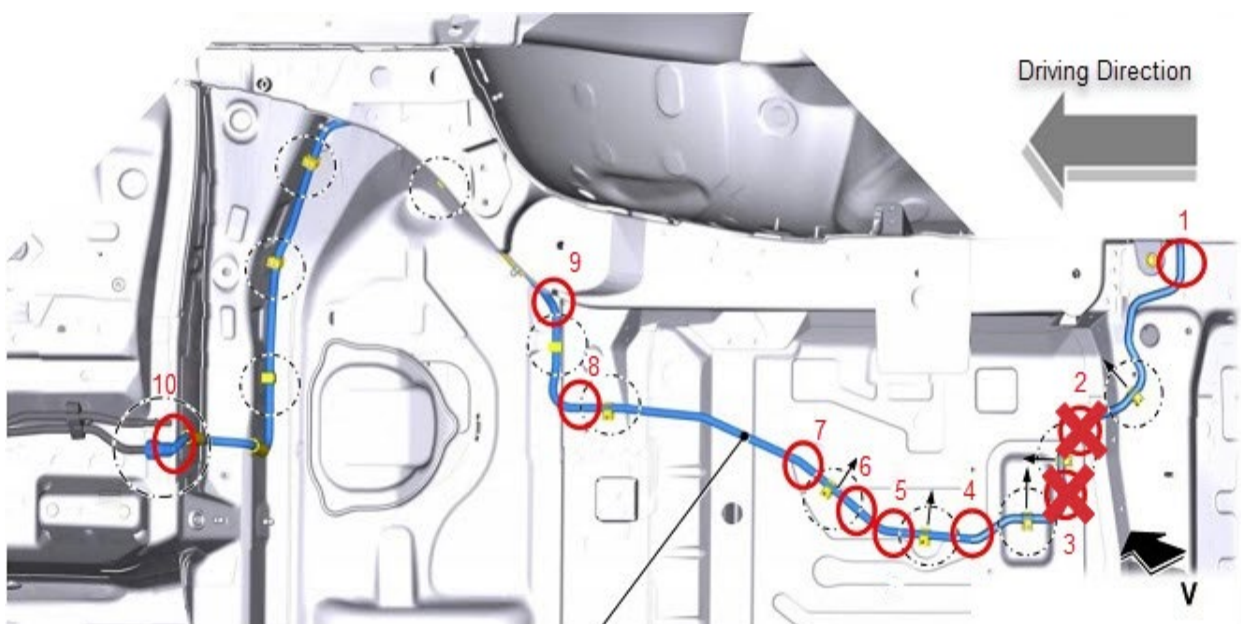
2. The number of sleeves depends on the equipment version of the vehicle (PR number) when it was manufactured. Use the following overviews (figures 4, 5, and 6) to determine how many sleeves are required and their positions.



# Technical Service Bulletin



**Figure 4:** Vehicles without air suspension and without rear wheel steering (PR no. 1BL) - 10 sleeves.



**Figure 5:** Vehicles with air suspension and without rear wheel steering (PR no. 1BK, 0N1) - 8 sleeves.



# Technical Service Bulletin

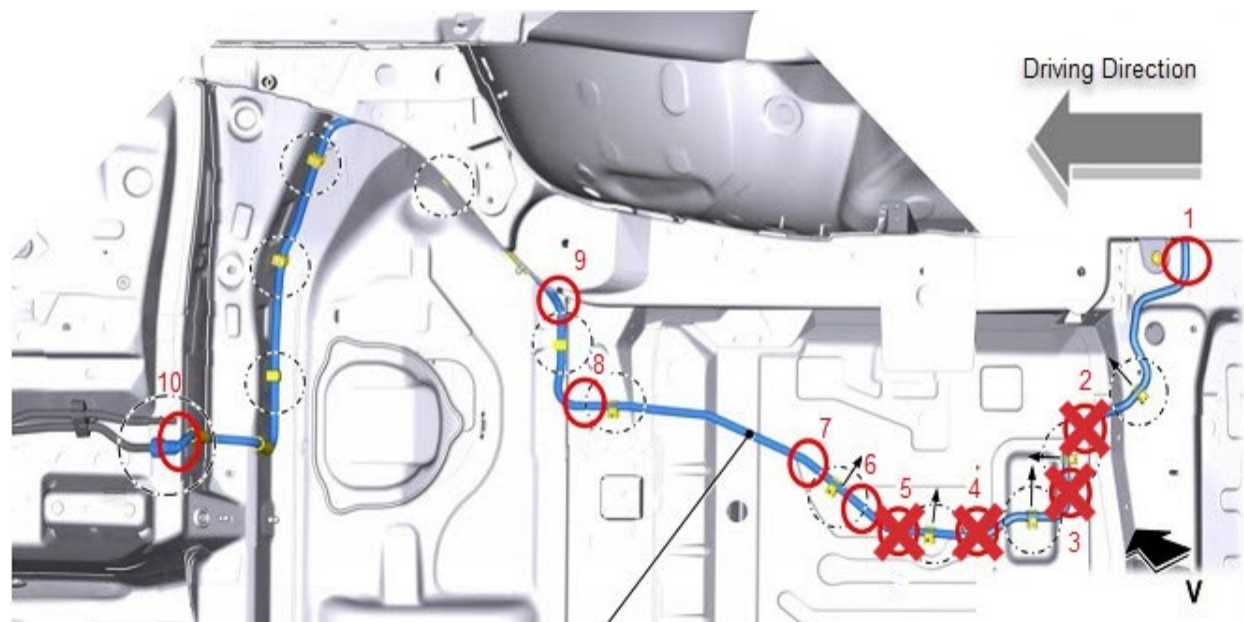


Figure 6: Vehicles with air suspension and with rear wheel steering (PR no. 1BK, 0N5) - 6 sleeves.

**NOTICE**

Parts replacement does not solve this issue. Claims for replaced parts will be subject to review.

## Warranty

<b>Claim Type:</b>	<ul style="list-style-type: none"> <li>• 110 up to 48 Months/50,000 Miles.</li> <li>• G10 for CPO Covered Vehicles – Verify Owner.</li> <li>• If the vehicle is outside of any warranty, this Technical Service Bulletin is informational only.</li> </ul>		
<b>Service Number:</b>	2024		
<b>Damage Code:</b>	0020		
<b>Labor Operations:</b>	Secure sleeves to line	2022 4999	30 TU
	Road test prior to the service procedure	0121 0002	10 TU
	Road test after the service procedure	0121 0004	10 TU
<b>Claim Comment:</b>	As per TSB 2067759/3		

All warranty claims submitted for payment must be in accordance with the *Audi Warranty Policies and Procedures Manual*. Claims are subject to review or audit by Audi Warranty.



# Technical Service Bulletin

---

## Required Parts and Tools

The part numbers mentioned in this TSB are different than the ones listed in ETKA. Only use parts listed in this TSB, this includes superseding part numbers!

Part Number	Part Description	Quantity
4KD201255	Sleeve	10 (Max depending on PR number)

## Additional Information

All parts and service references provided in this TSB (**2067759**) are subject to change and/or removal.

©2023 Audi of America, Inc. All rights reserved. The information contained in this document is based on the latest information available at the time of printing and is subject to the copyright and other intellectual property rights of Audi of America, Inc., its affiliated companies, and its licensors. All rights are reserved to make changes at any time without notice. No part of this document may be reproduced, stored in a retrieval system, or transmitted in any form or by any means, electronic, mechanical, photocopying, recording, or otherwise, nor may these materials be modified or reposted to other sites without the prior expressed written permission of the publisher.