



# Technical Service Bulletin

<b>SUBJECT:</b> <b>HARNES WIRE DIAMETER AND CIRCUIT          DIAGRAM COLOR CHANGES -          SERVICE MANUAL REVISION</b>			No: <b>TSB-23-90-002</b>
			DATE: <b>November 2023</b>
			MODEL: <b>See below</b>
<b>CIRCULATE TO:</b>	<input type="checkbox"/> GENERAL MANAGER	<input checked="" type="checkbox"/> PARTS MANAGER	<input checked="" type="checkbox"/> TECHNICIAN
<input checked="" type="checkbox"/> SERVICE ADVISOR	<input checked="" type="checkbox"/> SERVICE MANAGER	<input checked="" type="checkbox"/> WARRANTY PROCESSOR	<input checked="" type="checkbox"/> SALES MANAGER

## PURPOSE

This TSB details harness wire diameter and circuit diagram color changes in the following sections of the applicable Service Manual.

- Roof Harness (applied early April 2020)
- Plug Harness/Instrument Panel Harness (applied early August 2020)
- Control Harness (applied early September 2020)

## AFFECTED VEHICLES

2021 Mirage

## AFFECTED SERVICE MANUAL

2021 Mirage Service Manual

## PROCEDURE

Please use the chart below to replace the applicable pages in the affected Service Manual, Group 90, Circuit Diagrams, sections.

Applicable Manual	Pub. No.	Applicable Title	Content
2021 MIRAGE Service Manual	MSCD-016B-2021	MFI SYSTEM	Attached sheet 2
		HEADLIGHT	Attached sheet 3
		TAILLIGHT, POSITION LIGHT, SIDE MARKER LIGHT, LICENSE PLATE LIGHT AND LIGHTING MONITOR TONE ALARM	Attached sheet 4
		DAYTIME RUNNING LIGHT	Attached sheet 5
		FOG LIGHT	Attached sheet 6
		DOMELIGHT AND LUGGAGE COMPARTMENT LIGHT	Attached sheet 7
		TURN-SIGNAL LIGHT AND HAZARD WARNING LIGHT	Attached sheet 8
		AUTOMATIC ANTI-DAZZLING MIRROR	Attached sheet 9
		SMARTPHONE LINK DISPLAY AUDIO SYSTEM	Attached sheet 10
		SUPPLEMENTAL RESTRAINT SYSTEM (SRS)	Attached sheet 11

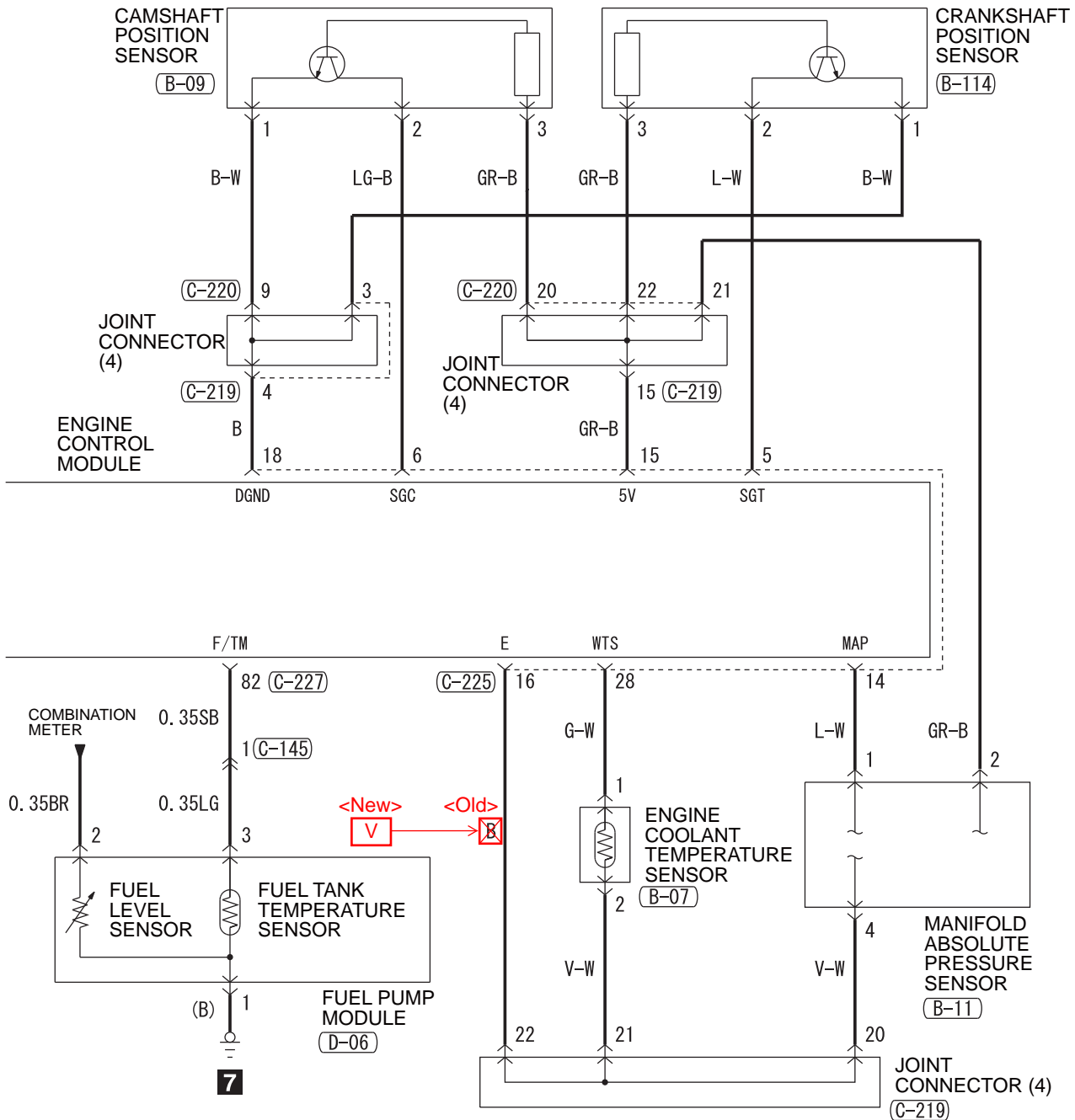
Copyright 2023, Mitsubishi Motors North America, Inc.

The information contained in this bulletin is subject to change. For the latest version of this document, go to the Mitsubishi Dealer Link, MEDIC, or the Mitsubishi Service Information website ([www.mitsubishitechinfo.com](http://www.mitsubishitechinfo.com)).

CIRCUIT DIAGRAMS  
MFI SYSTEM

90-61

6



7

(C-219)

MU801515
1 2 3 4 5 6 7 8 9 10 11
12 13 14 15 16 17 18 19 20 21 22

(C-220)

MU801515
1 2 3 4 5 6 7 8 9 10 11
12 13 14 15 16 17 18 19 20 21 22

(C-225)

(MU803784)
1 2 3 4 JAE 5 6 7 8
9 10 11 12 13 14 15 16 17 18 19 20 21 22 23
24 25 26 27 28 29 30 31 32 33 34 35

(C-226)

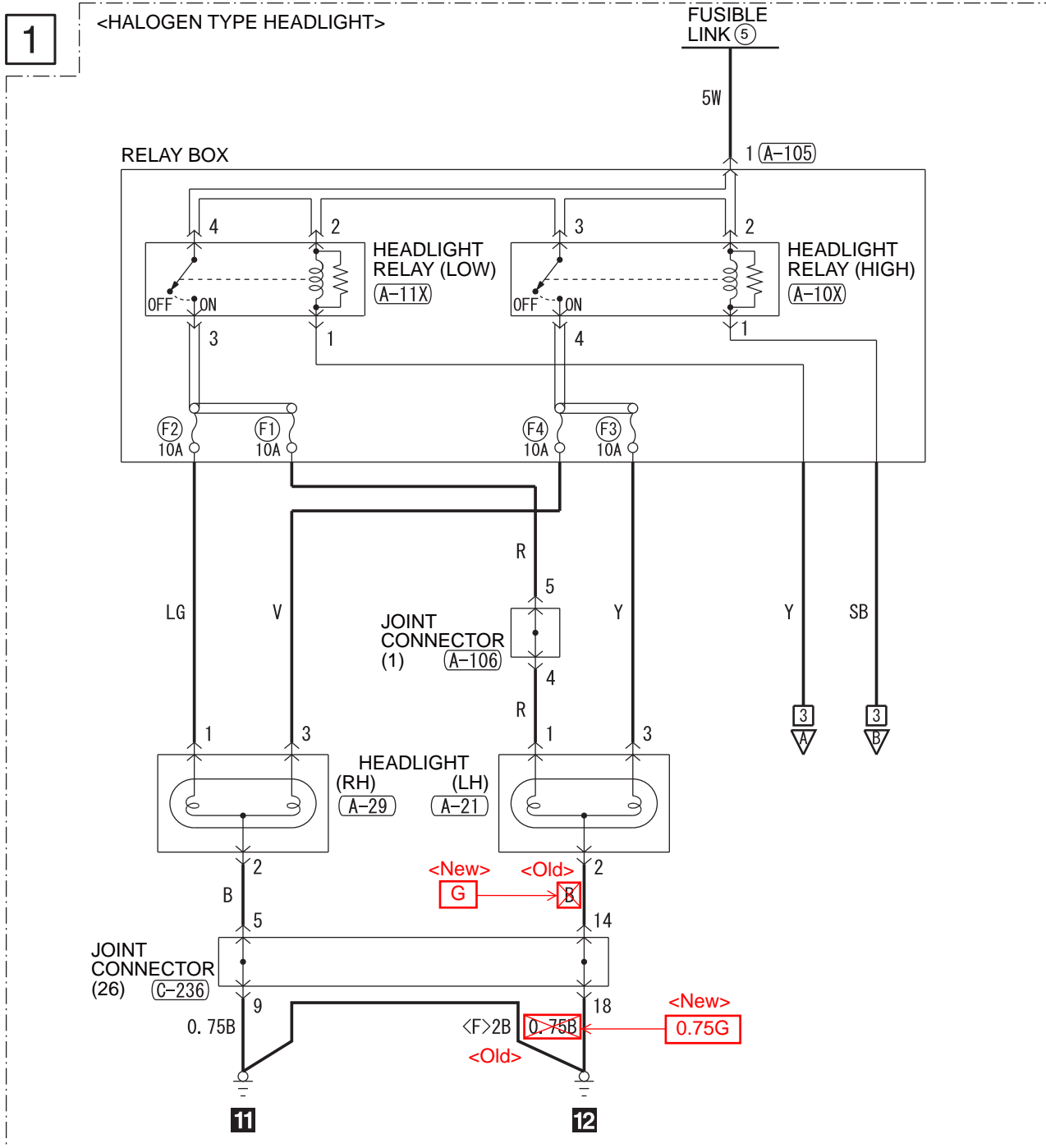
(MU803781)
41 42 43 JAE 44 45 46
47 48 49 50 51 52 53 54 55 56 57
58 59 60 61 62 63 64 65 66

WIRE COLOR CODE

B: BLACK BE: BEIGE BR: BROWN G: GREEN GR: GRAY L: BLUE LA: LAVENDER LG: LIGHT GREEN  
O: ORANGE P: PINK PU: PURPLE R: RED SB: SKY BLUE SI: SILVER V: VIOLET W: WHITE Y: YELLOW

BCKA1072AC

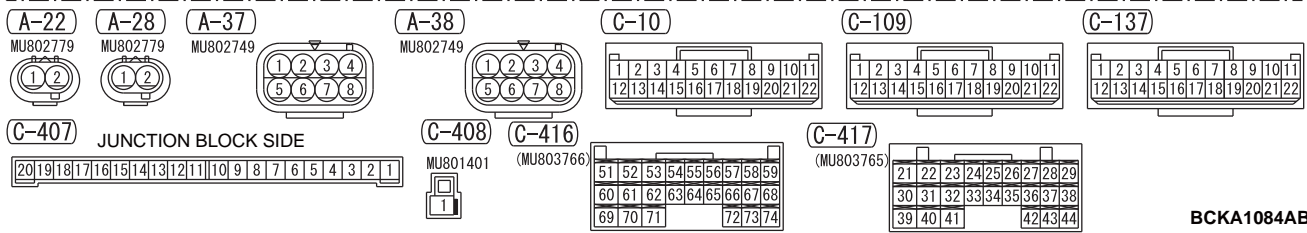
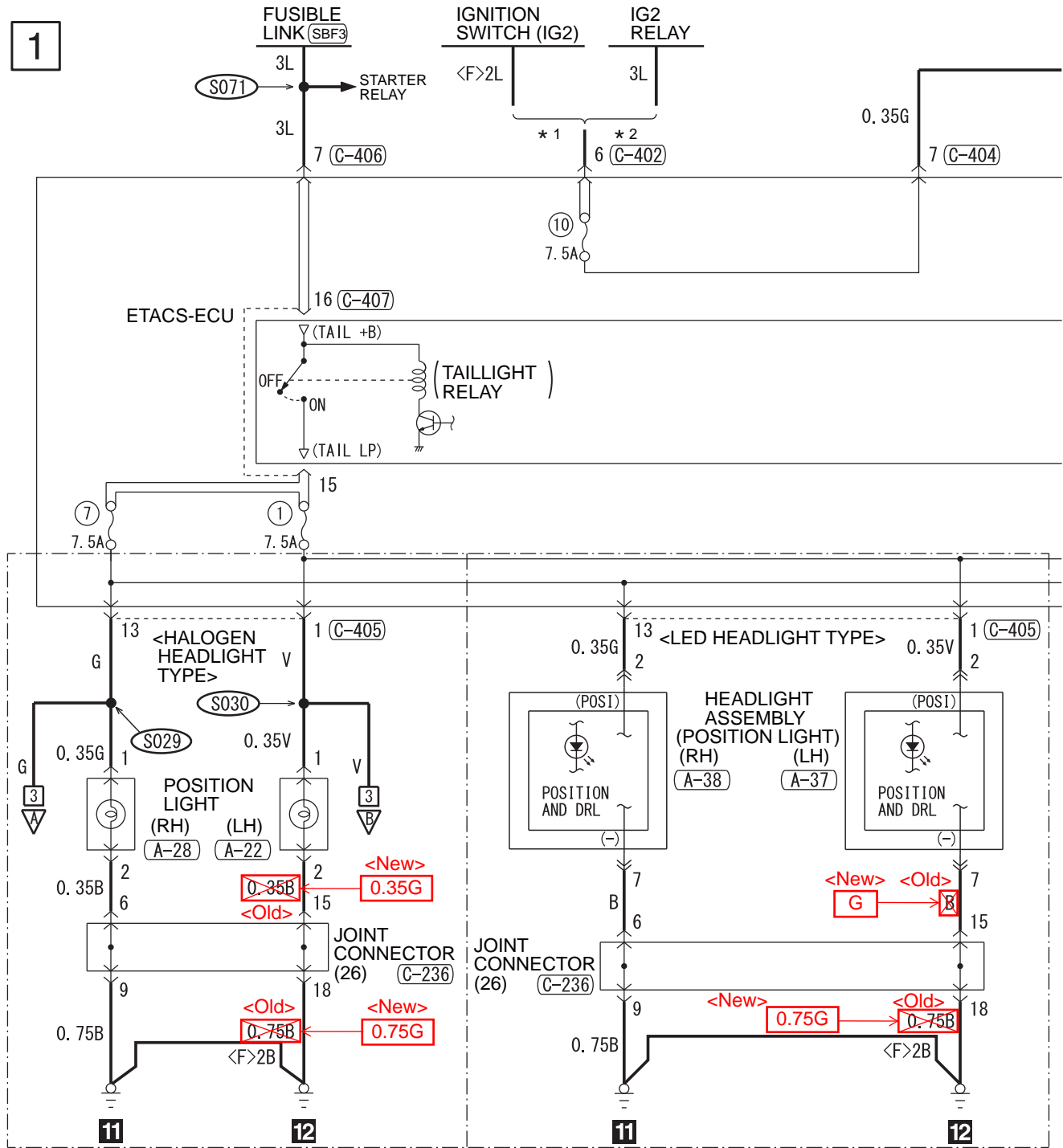
# HEADLIGHT



# TAILLIGHT, POSITION LIGHT, SIDE MARKER LIGHT, LICENSE PLATE LIGHT AND LIGHTING MONITOR TONE ALARM

M19010164A0007

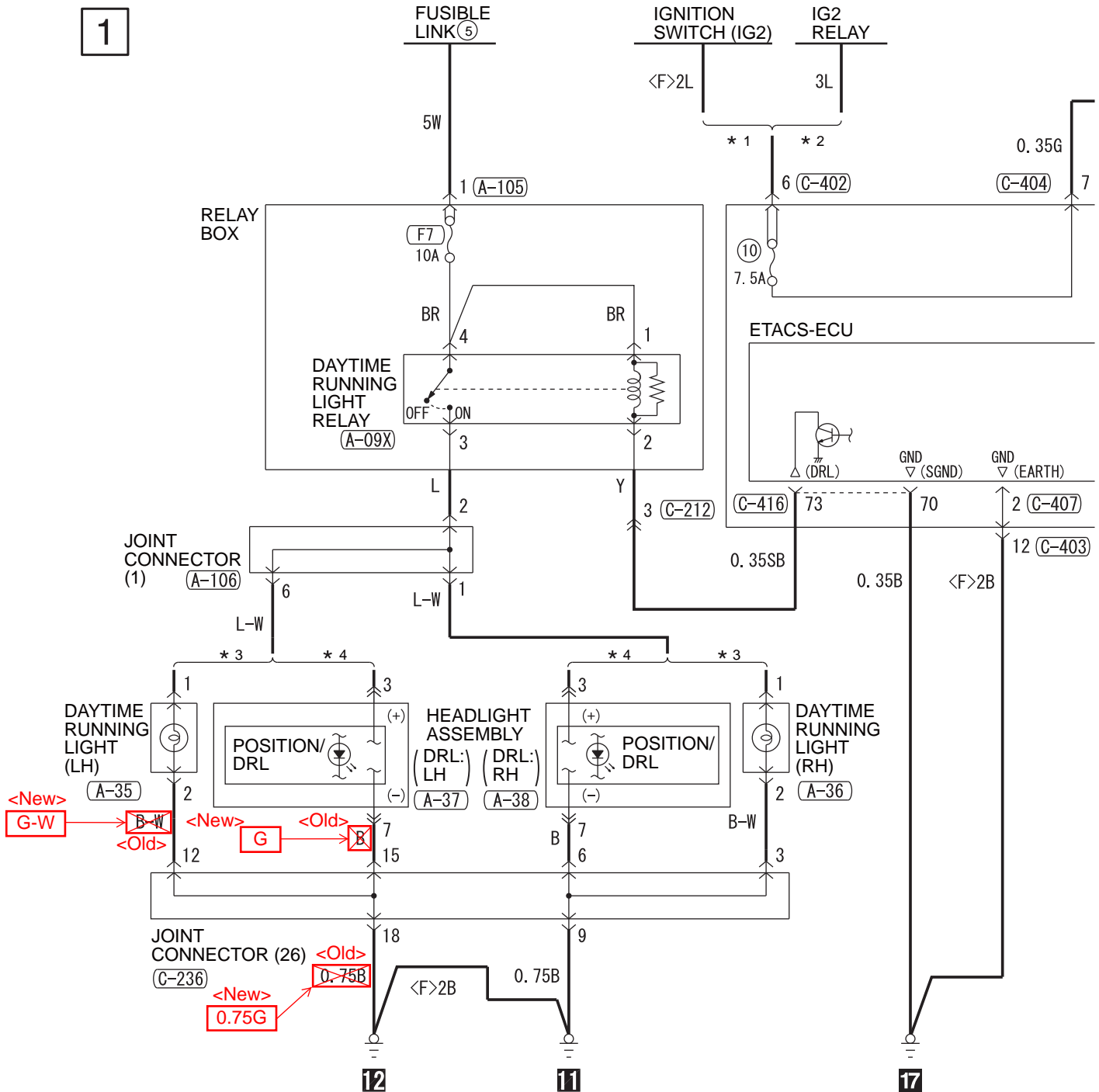
1



BCKA1084AB

# DAYTIME RUNNING LIGHT

1



<New>  
G-W

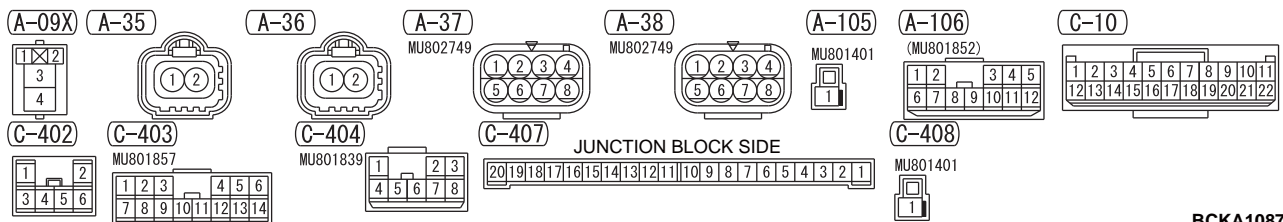
<New>  
B-W  
<Old>

<New>  
G  
<Old>

<Old>  
X

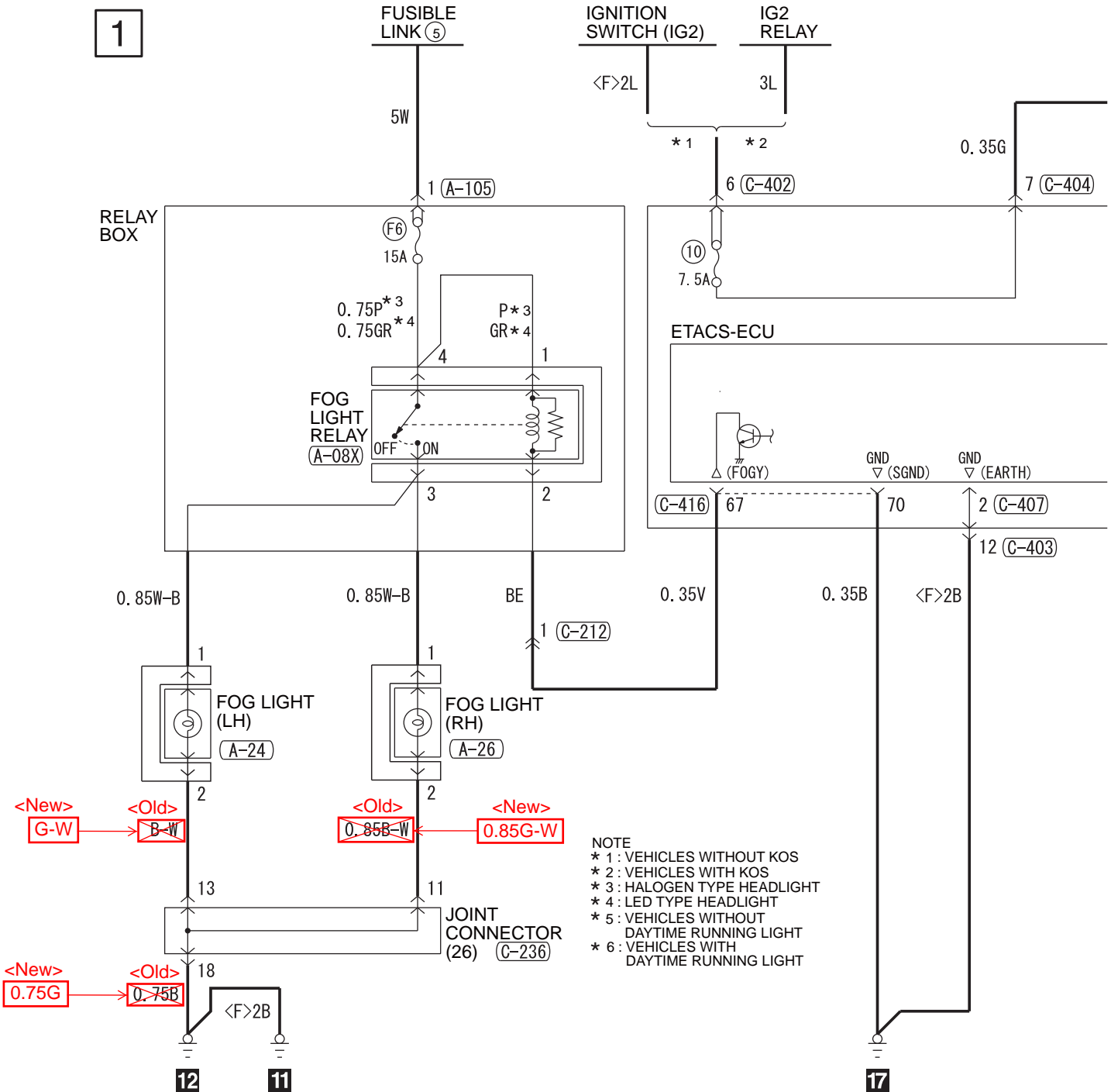
<New>  
0.75G

<Old>  
0.75B



# FOG LIGHT

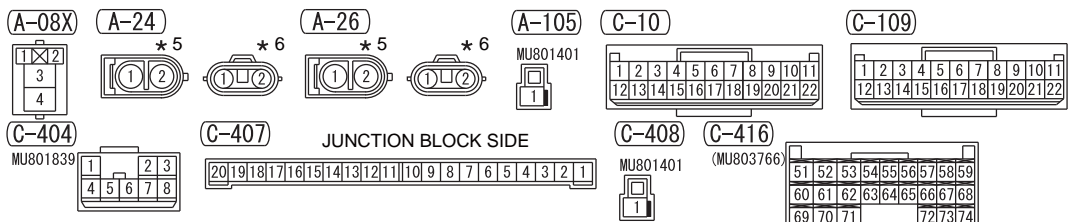
1



<New> G-W → <Old> B-W  
<Old> 0.85B-W ← <New> 0.85G-W

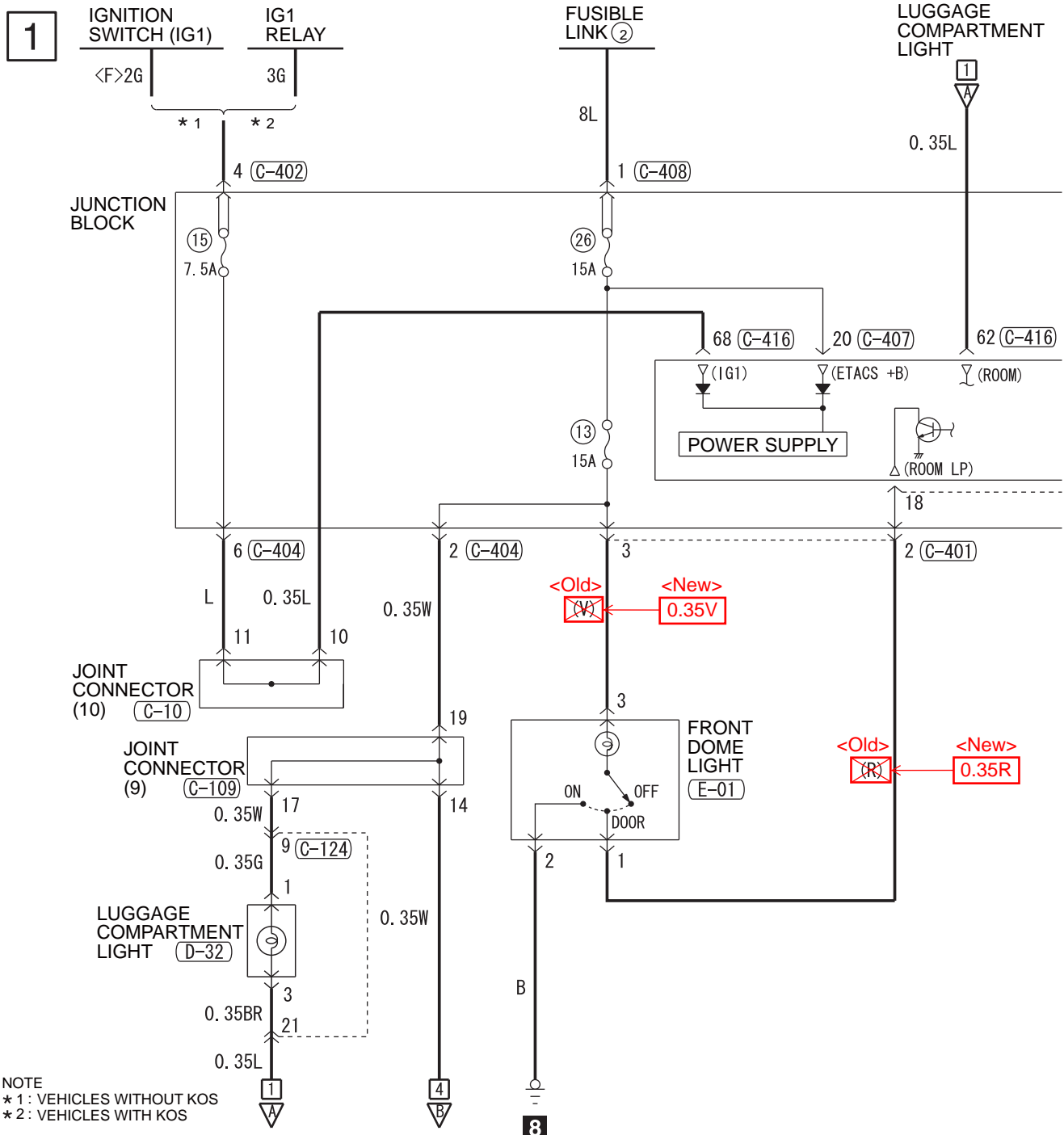
<New> 0.75G → <Old> 0.75B

- NOTE
- \* 1 : VEHICLES WITHOUT KOS
  - \* 2 : VEHICLES WITH KOS
  - \* 3 : HALOGEN TYPE HEADLIGHT
  - \* 4 : LED TYPE HEADLIGHT
  - \* 5 : VEHICLES WITHOUT DAYTIME RUNNING LIGHT
  - \* 6 : VEHICLES WITH DAYTIME RUNNING LIGHT

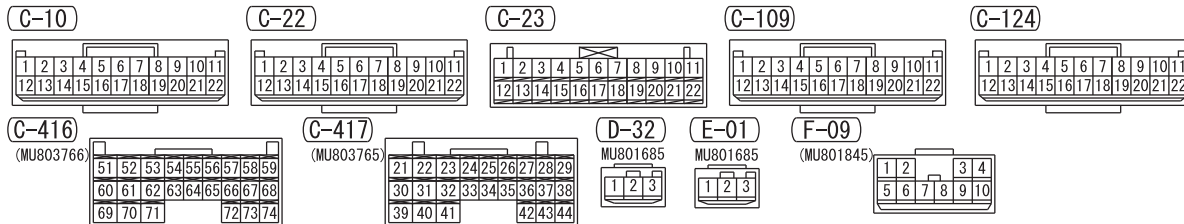


# DOME LIGHT AND LUGGAGE COMPARTMENT LIGHT

M19010185A0004



NOTE  
 \* 1 : VEHICLES WITHOUT KOS  
 \* 2 : VEHICLES WITH KOS

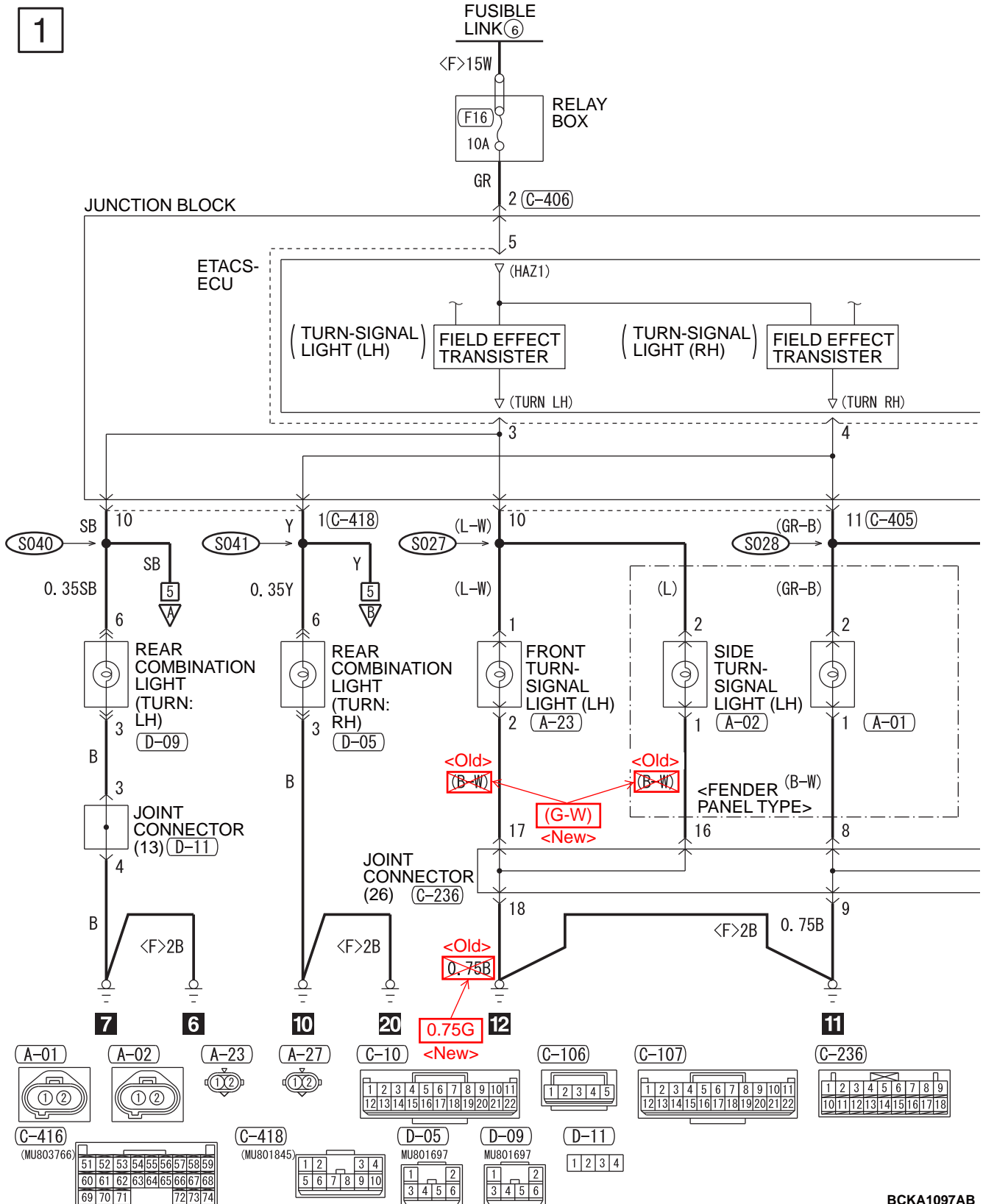


BCKA1091AB

# TURN-SIGNAL LIGHT AND HAZARD WARNING LIGHT

M19010029A0098

1



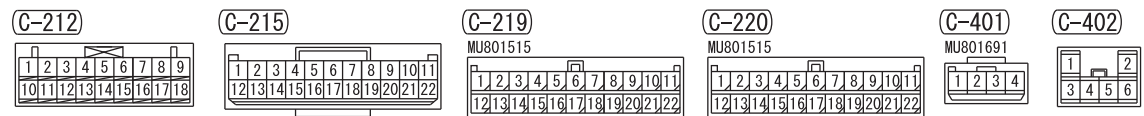
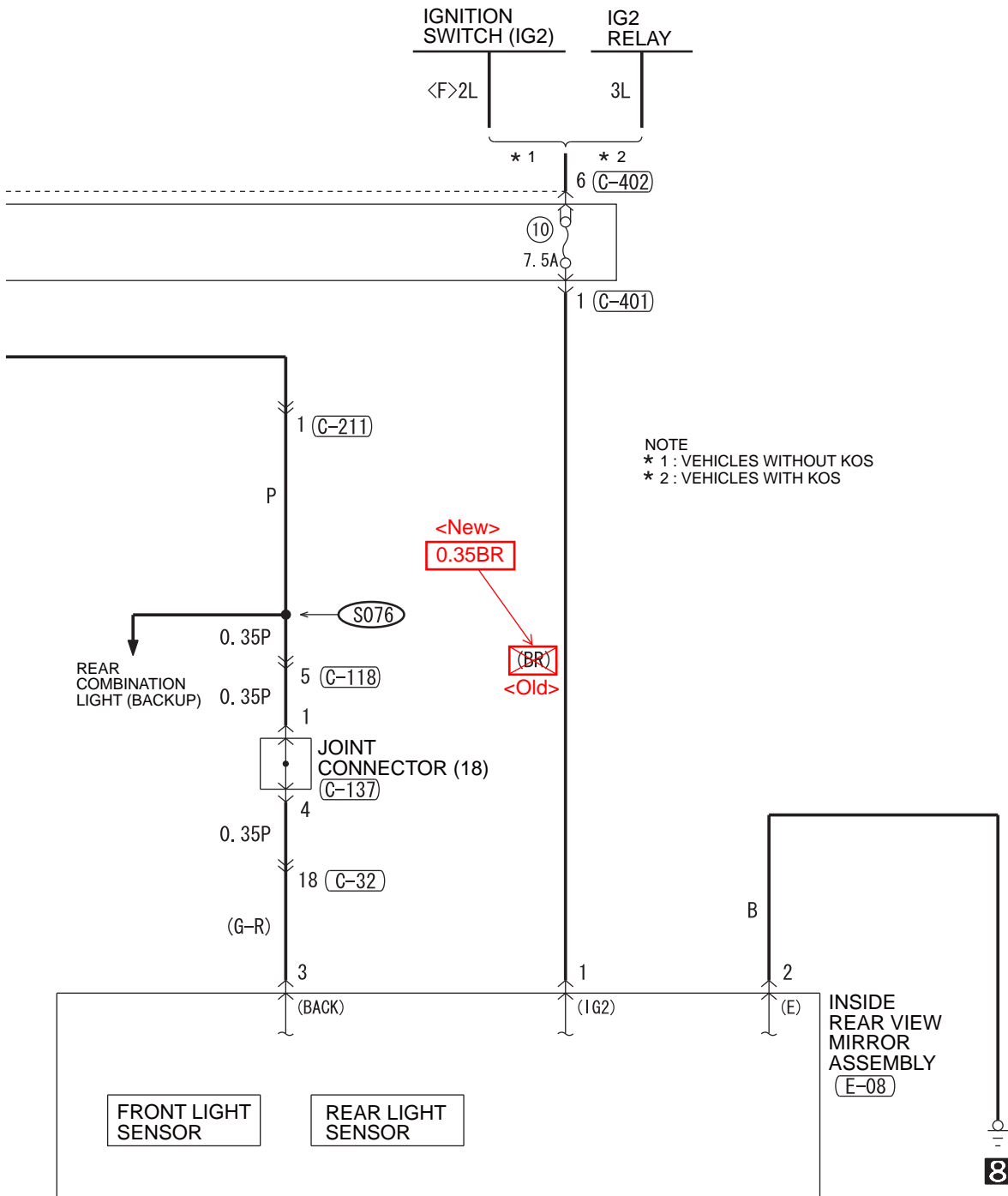
BCKA1097AB



CIRCUIT DIAGRAMS  
AUTOMATIC ANTI-DAZZLING MIRROR

90-173

2



WIRE COLOR CODE

B: BLACK BE: BEIGE BR: BROWN G: GREEN GR: GRAY L: BLUE LA: LAVENDER

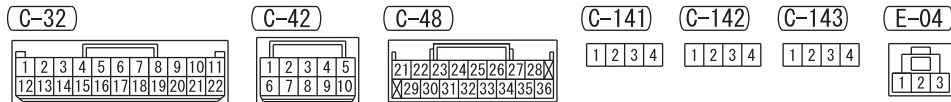
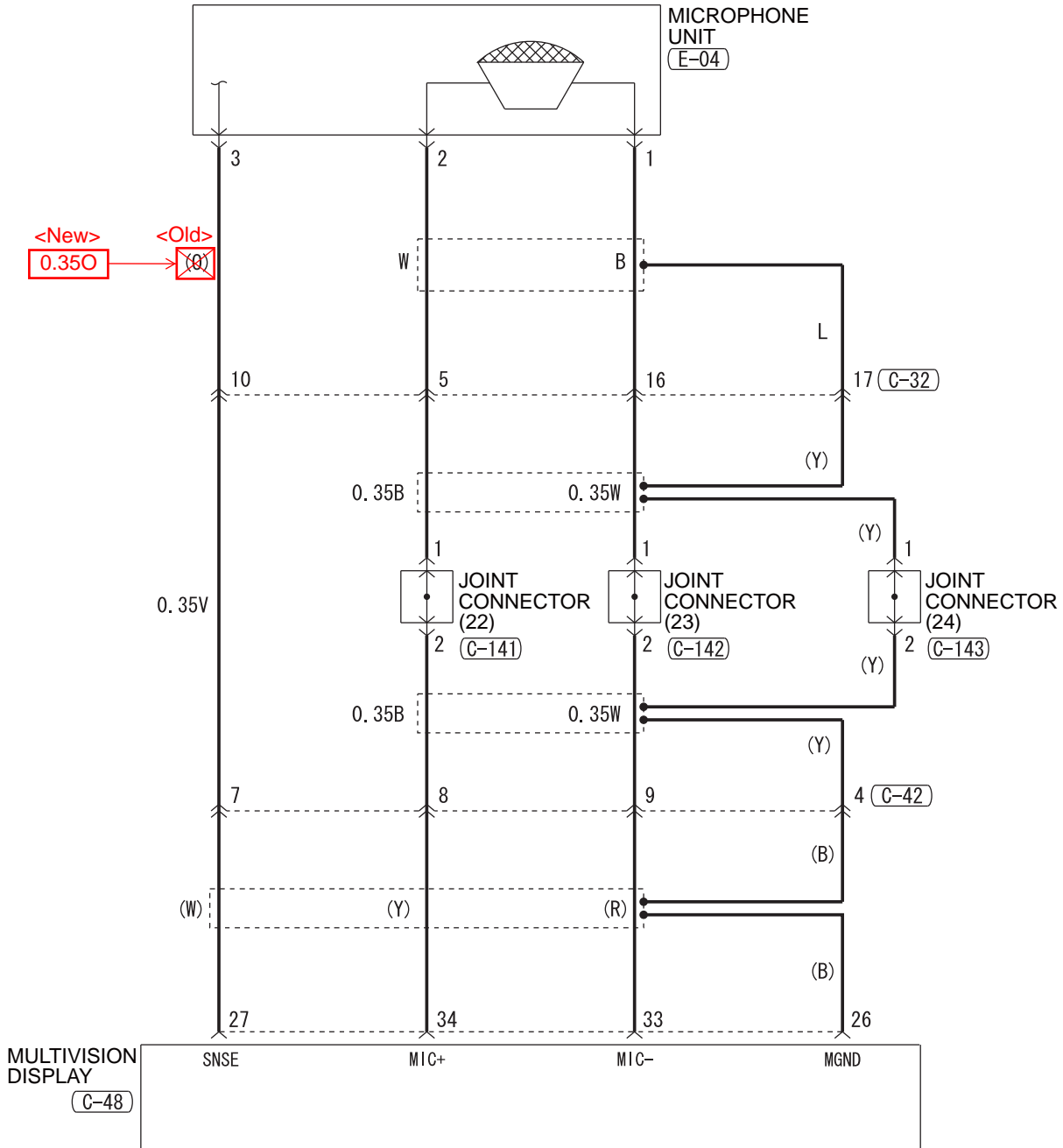
LG: LIGHT GREEN O: ORANGE P: PINK PU: PURPLE R: RED SB: SKY BLUE SI: SILVER

V: VIOLET W: WHITE Y: YELLOW

BCKA1129AC

SMARTPHONE LINK DISPLAY AUDIO SYSTEM (CONTINUED)

5

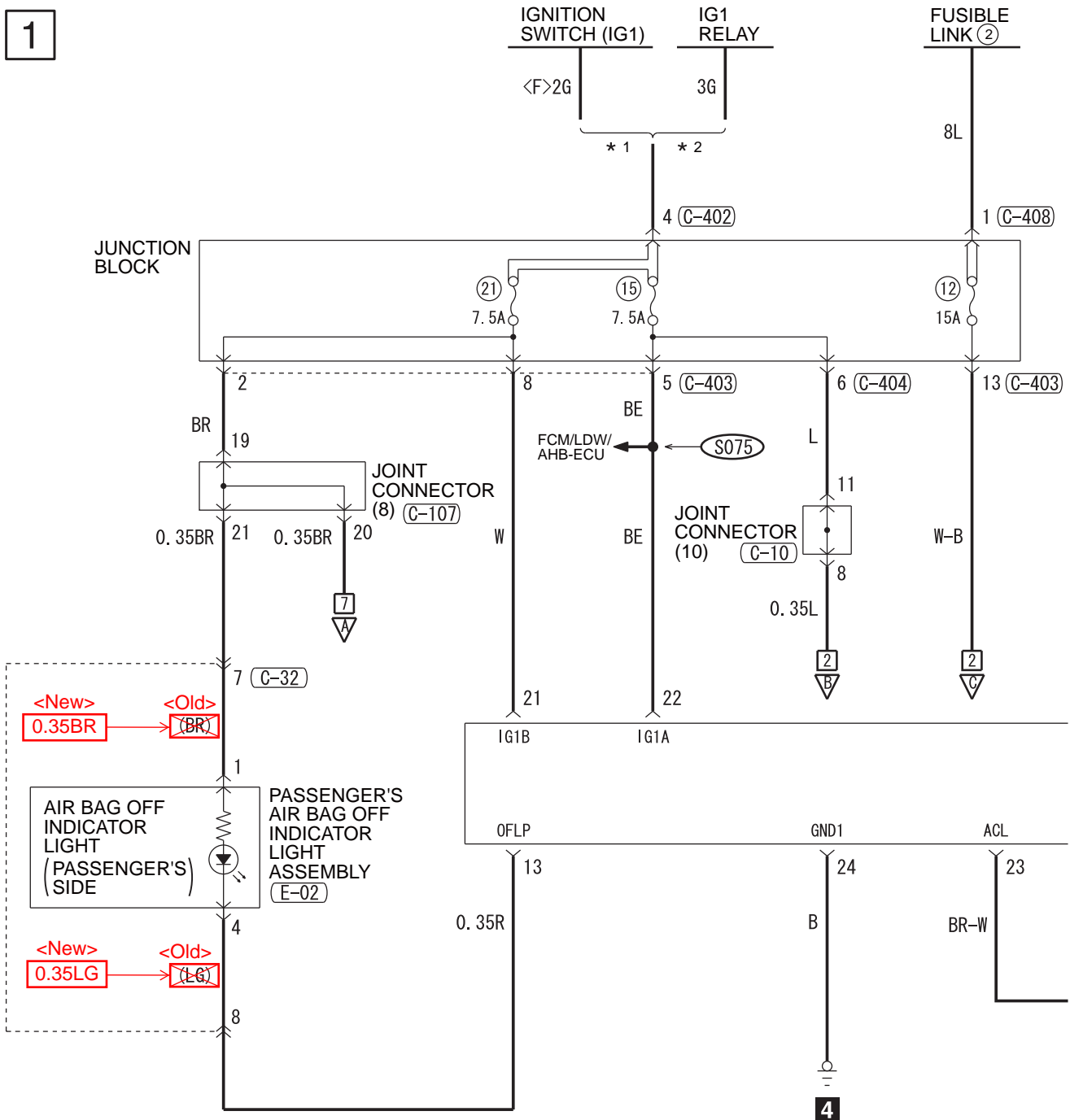


WIRE COLOR CODE  
 B: BLACK BE: BEIGE BR: BROWN G: GREEN GR: GRAY L: BLUE LA: LAVENDER  
 LG: LIGHT GREEN O: ORANGE P: PINK PU: PURPLE R: RED SB: SKY BLUE SI: SILVER  
 V: VIOLET W: WHITE Y: YELLOW

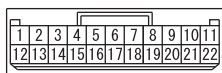
# SUPPLEMENTAL RESTRAINT SYSTEM (SRS)

M19010097A0044

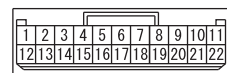
1



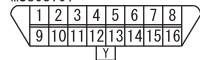
(C-01)



(C-10)



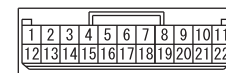
(C-13) FRONT SIDE  
MU803797



(C-29)



(C-32)



(E-02)

