

Volvo Drive Axle Oil Change

Service Category Service

Section Function Group 175

Technician Skill Level A

Market North America

Applicability

VOLVO

Years	Models
2022-2023	VAH, VHD, VN

Introduction

On certain Volvo VN, VHD, VAH chassis, with a Meritor rear carrier, there is a possibility of the rear differentials being filled with incorrect fluid. This campaign will require draining the rear differential/differentials, hubs and refilling with the correct fluid.

Production Change Information

This bulletin applies to vehicles built within the specified production changes below.

Brand	Engine	Emission Level	Starting Build Date	Ending Build Date
Volvo	CU9, CU12, CU15, D11, D13	EM-US17-EM-US21	9-February-2021	25-February-2022

Warranty Information

This repair is covered by an authorized Service Program. Reimbursement is obtained through the normal claim handling process.		
Claim Type (used only when uploading from the Dealer Bus. Sys.)		B
Main Labor Code	Description	Hours
1750-03-03-10	Oil Differential Carrier, Change on Floor (0.7 Per axle)	0.7-2.1
Causal Part	24136869	
SCC Authorization Code	S7654	
Expiration Date	March 30, 2024	

Volvo Drive Axle Oil Change

Parts Information

Part Numbers	Part Names	Quantity
Part numbers and quantity ordered through Vender Direct Ship Program (VDSP)-See Note below	Shell's S6 synthetic 75w90	4 per axle

Important Parts Note!
If the Shell S6 75w90 oil is unavailable, then use an approved oil from Meritor's approved oil list. (See Link) https://graphicvillage.org/meritor/TP9539.pdf *All material cost to be claimed in the "Other Cost" section

Required Tools & Equipment

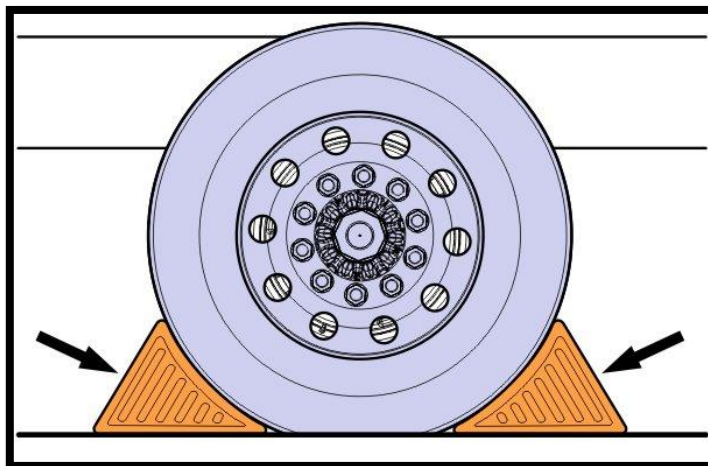
- None

Calibration Information

- None

Repair Procedure

1. Park the vehicle on a level surface.
2. Apply the parking brake.
3. Place the gear lever in neutral.
4. Install the wheel chocks.



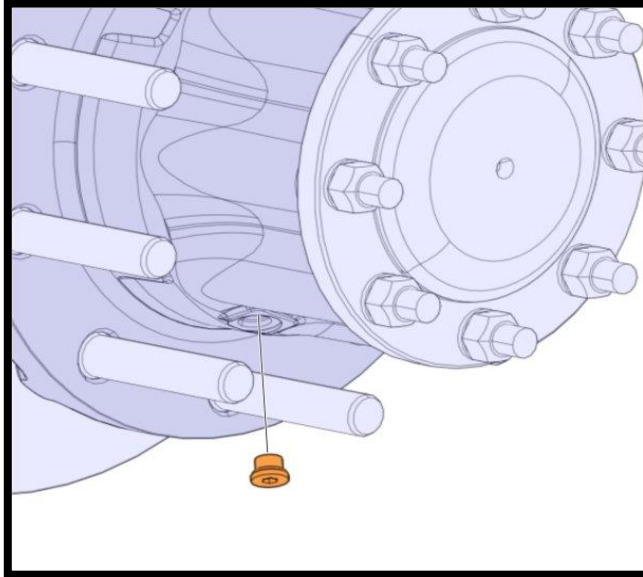
5. Place a suitable drain pan under the rear drive axle and remove the drain plug.
6. Let the rear drive axle fully drain.
7. Install the drain plug into the housing and torque to spec.

Tightening Torque	
Axle housing drain plug	35-50 lb-ft (48-67 Nm)

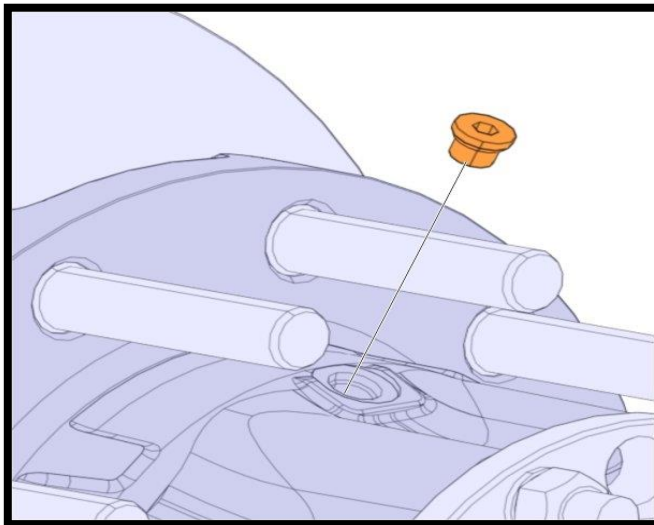
8. Using a suitable jack, raise the axle off the ground and set on jack stands.

Volvo Drive Axle Oil Change

9. Release the parking brake and rotate the hubs so that the drain plug is on the bottom.
10. Remove the drain plug from both hubs and let the hubs fully drain.



11. Rotate the hubs so the drain plugs are on top and fill each hub with one quart of Shell S6 synthetic 75w90axle oil.



12. Install the drain plug and torque to spec.

Tightening Torque	
Hub drain/fill plug	10 lb-ft (13.8 Nm)

13. Apply the parking brake.
14. Using a jack, lift the axle, remove the jack stands and lower the axle.
15. Remove the drive axle fill plug.
16. Fill the drive axle with approved axle oil until full.

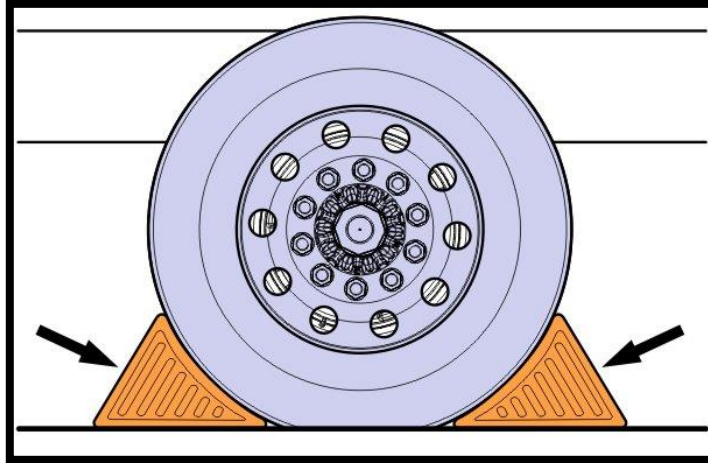
Volvo Drive Axle Oil Change

17. Install the fill plug and torque to spec.

Tightening Torque	
Axle housing fill plug	35-50 lb-ft (48-67 Nm)

18. Repeat the process on remaining drive axles.

19. Remove wheel chocks.



20. Release truck back to service.

Tightening Torque	
Axle housing drain plug	35-50 lb-ft (48-67 Nm)
Axle housing fill plug	35-50 lb-ft (48-67 Nm)
Hub drain/fill plug	10 lb-ft (13.8 Nm)