



Technical Service Bulletin

GROUP CAMPAIGN	NUMBER 23-01-063H
DATE SEPTEMBER 2023	MODEL(S) Santa Fe Sport (AN)

SUBJECT: UNDERBODY CORROSION PREVENTATIVE SERVICE
(SERVICE CAMPAIGN 996)

★ IMPORTANT

Dealers must perform this service campaign on all affected vehicles prior to customer retail delivery and whenever an affected vehicle is in the shop for any maintenance or repair.

Access the "Vehicle Information" screen via WEBDCS to identify open Campaigns.

Description: In some areas, a vehicle's underbody may exhibit corrosion due to road salt usage. As a preventative measure, cavity wax coating is applied to the internal surfaces of underbody components, and an undercoating spray is applied to the bottom exterior surfaces of specified underbody components. This bulletin describes the procedure to perform this preventative service on certain Santa Fe Sport (AN) vehicles.



Applicable Vehicles (Certain):

- 2013-18MY Santa Fe Sport (AN) vehicles currently or ever registered in a Salt Belt State produced 07/12/2012 to 05/10/2018.

Salt Belt Areas include:

Connecticut, Delaware, Illinois, Indiana, Iowa, Kentucky, Maine, Maryland, Massachusetts, Michigan, Minnesota, Missouri, New Hampshire, New Jersey, New York, Ohio, Pennsylvania, Rhode Island, Vermont, Virginia, West Virginia, Wisconsin, and the District of Columbia.

Please note all dealers must perform this service campaign if vehicle comes in with an open campaign, even if vehicle is no longer located in the listed states above.

i Information

Allow the vehicle to cool at least four hours before performing the procedures in this TSB. Parking the vehicle at the stall overnight is highly recommended to avoid a need for a cool down period and improve work efficiency.

Circulate To: General Manager, Service Manager, Parts Manager, Warranty Manager, Service Advisors, Technicians, Body Shop Manager, Fleet Repair

Table of Contents

Parts Information:.....3
Recommended Tools and Equipment:.....4
Warranty Information:5
Service Procedures:.....5
 Wax Gun Preparation:.....5
 Remove Debris:.....7
 Vehicle Preparation:12
 Applying Cavity Wax:.....13
 Applying Undercoating:16

*** IMPORTANT**

There are circumstances under which vehicles that are not currently registered or have never been registered in a “salt belt” state may be eligible for this service campaign. These circumstances include:




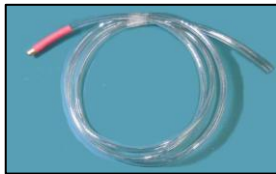

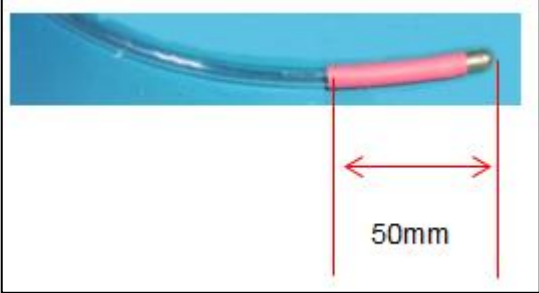
- Vehicles that were relocated into a “salt belt” area and/or
- Vehicles registered in a “non-salt belt” state and driven in a “salt belt” area

If it is determined that an owner of a vehicle within the affected VIN production date range relocates or has operated their vehicle in a “salt belt” area, the dealer should perform this procedure at no cost to the customer. **The dealer must submit a Prior Approval request before starting repairs.**

Parts Information:









! DANGER

- This procedure must be performed in a well-ventilated area.
- Must wear safety goggles, face protection, and gloves. Rinse eyes with water or skin with soap and water. Do not inhale spray. Seek medical attention if needed.
- Flammable & pressurized. Do not spray near flames, sparks, or heated areas. Do not pierce can.

Part Name	Image / Part Number	Remark
Cavity Wax		Use about half a can per vehicle.
	00232-19034	
Undercoat Spray		Use about 1 can per vehicle.
	00232-19035	
Wax Spray Gun		Set air pressure to 70 psi. <i>If wax output is slow</i> , prime the gun by blocking the nozzle with a rag, and spraying the gun until the flow of wax increases.
	00232-19036	
"Inside" Nozzle		This is a newly developed nozzle that has an improved wax application spray pattern.  The pink tubing is to signal the user to stop spraying when pulling the nozzle out. <u>This nozzle must be used for this service procedure.</u>
		
	09624-2H101-QQH	

<p>“Outside” Nozzle</p>		<p>This nozzle is supplied with the wax gun.</p>
-------------------------	---	--

Recommended Tools and Equipment:

Tool Name	Image	Remark
Air Nozzle		
Safety Goggles		
Face Mask		
Gloves		
Rubber/Plastic Mallet		
Wire Brush		
Plastic bags		<p>Bags large enough to cover the tires and wheels.</p>
Tape		

*Above are standard shop supply.

Warranty Information:

Model	Op Code	Description	Op Time	Causal Part	Nature	Cause
Santa Fe Sport (AN)	30D059R0	UNDER BODY RUST INSPECTION AND PREVENTIVE SERVICE	1.0 M/H	62405-2P301	A12	ZZ6

NOTE 1: Submit claim on Claim Entry Screen as “Campaign” type.

NOTE 2: Each labor operation will reimburse 1 can of undercoat spray and cavity wax.

NOTE 3: If a part that is not covered by this campaign is found in need of replacement while performing the service campaign and the affected part is still under warranty, submit a separate claim using the same repair order. If the affected part is out of warranty, submit a Prior Approval request for goodwill consideration prior to the repair.

NOTE 4: This TSB includes Repair validation photos. Op times include VIN, Mileage and Repair validation photos as outlined in the Digital Documentation Policy.

Service Procedures:

STUI



This TSB includes Repair validation photos. Refer to the latest Warranty Digital Documentation Policy for requirements.

Wax Gun Preparation:

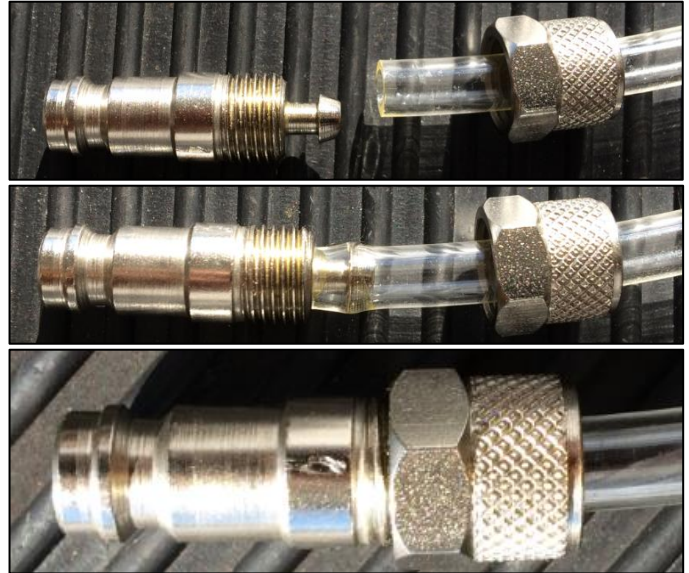
! DANGER

- This procedure must be performed in a well-ventilated area.
- Must wear safety goggles, face protection, and gloves. Rinse eyes with water or skin with soap and water. Do not inhale spray. Seek medical attention if needed.
- Flammable & pressurized. Do not spray near flames, sparks, or heated areas. Do not pierce can.

1. Unscrew the nut to remove the compression fitting from the nozzle assembly that originally comes with the wax gun.



2. Attach the compression fitting to the tubing on the new nozzle assembly.



3. Fill wax gun reservoir with cavity wax.

Prime the wax gun by spraying the wax into a trash bag (or similar) until a light mist is visibly coming out of the nozzle.

i Information

Set air supply pressure to 70 psi.

Prime the wax spray gun to increase the flow when the mist is no longer visible.

To optimize the priming process, cover the nozzle with a rag and spray until the flow has increased.



Remove Debris:

! WARNING

Must wear safety goggles and a face mask during this procedure to protect eyes and prevent debris from being inhaled.

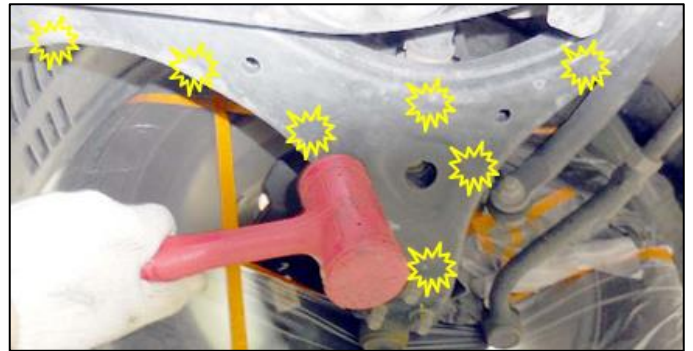
1. Lift the vehicle on a hoist.

Apply a plastic vinyl sheet on the floor.

If equipped, remove plastic undercovers to gain access to the front sub-frame, brake, and fuel tubes.

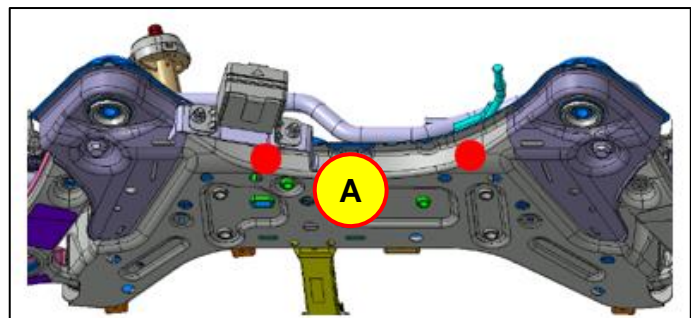
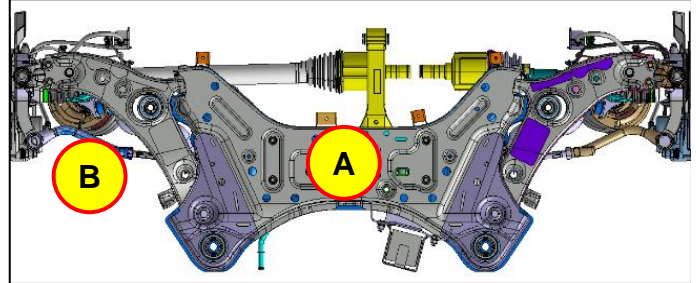


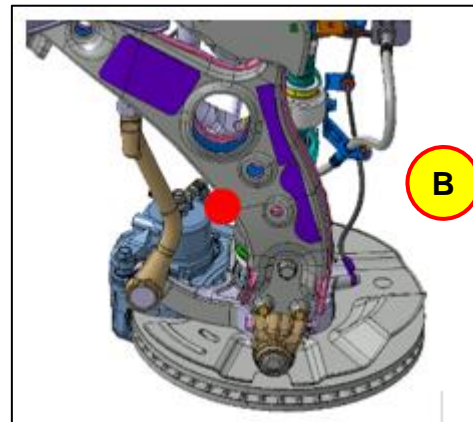
2. Lightly tap the vehicle underbody components with a rubber or plastic mallet to loosen and remove debris.



Front Underbody (FWD/AWD)

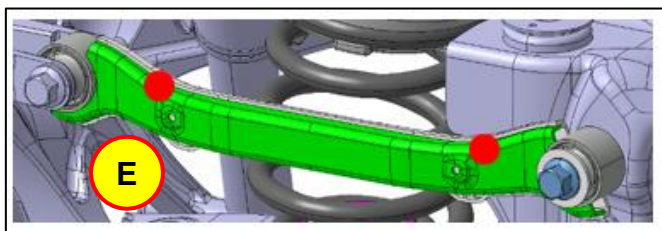
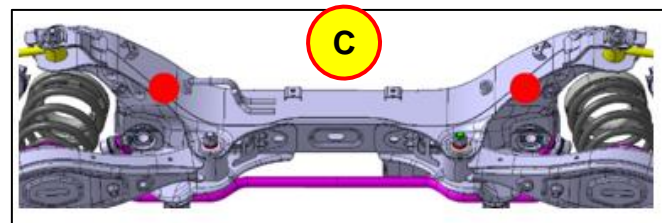
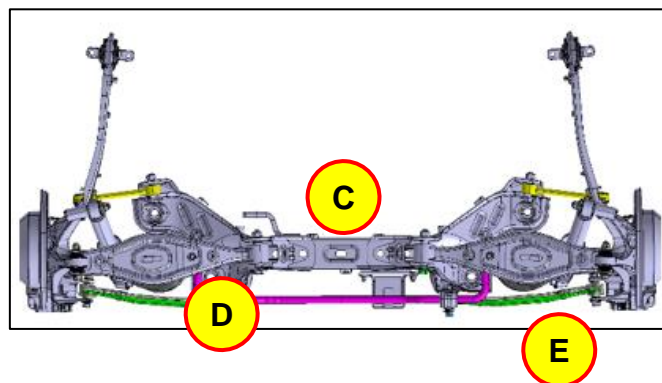
- Front sub-frame (A)
- Front lower control arms (B)





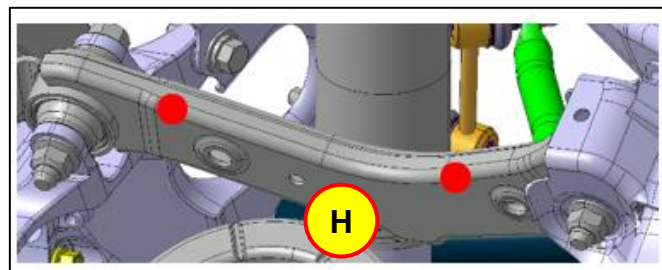
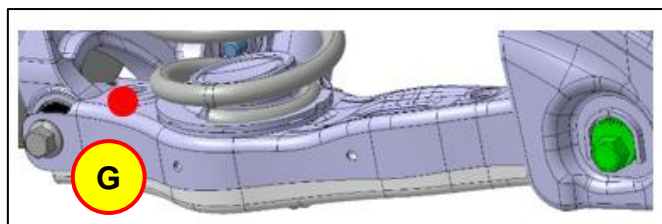
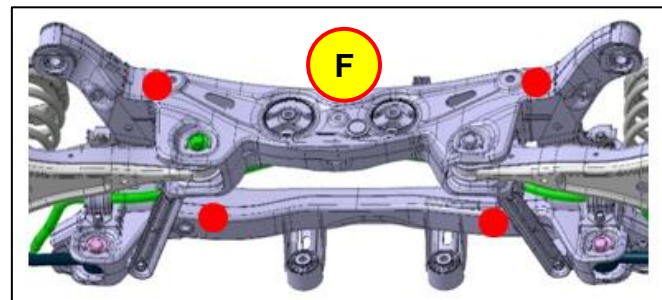
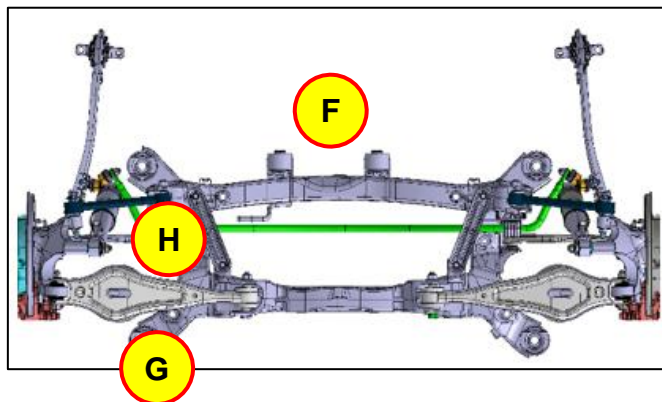
Rear Underbody (FWD)

- Rear sub-frame (C)
- Rear lower arms (D)
- Rear upper arms (E)



Rear Underbody (AWD)

- Rear sub-frame (F)
- Rear lower arms (G)
- Rear upper arms (H)

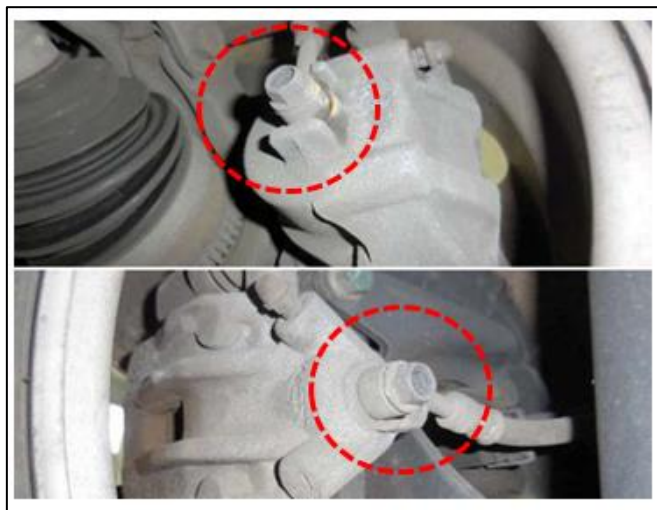
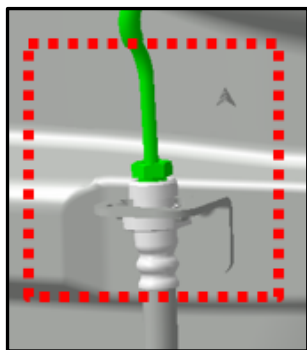


3. Use a wire brush to remove debris from:

- Front sub-frame
- Rear sub-frame
- Front lower arms
- Rear upper arms
- Rear lower arms



4. Clean the brake banjo bolt surfaces at all four calipers and brake tube fasteners using a wire brush.

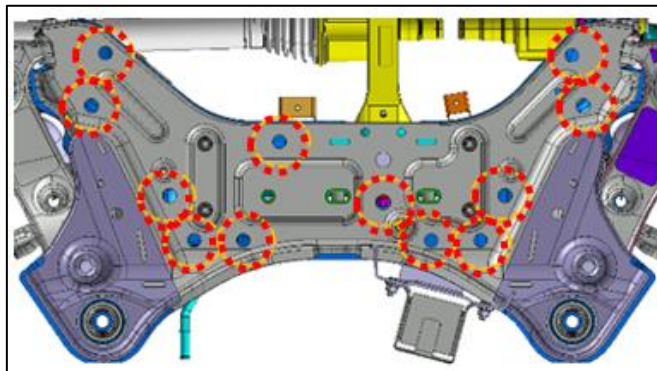


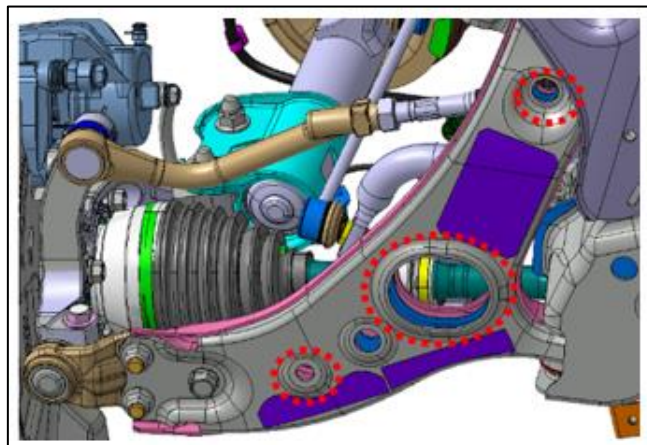
5. Remove the remaining debris by inserting an air nozzle into the interior cavities of the sub-frames and control arms. Then blow air in multiple directions.

Use the marked areas as a guideline to insert the nozzle. Additional access might be possible to remove more debris.

Front Underbody (FWD/AWD)

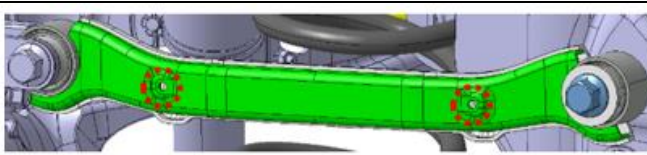
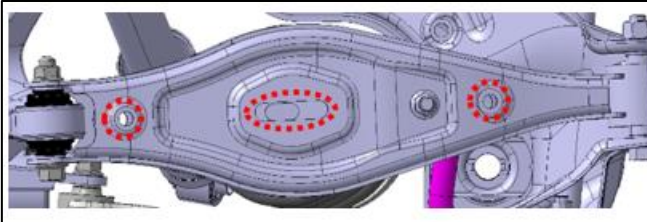
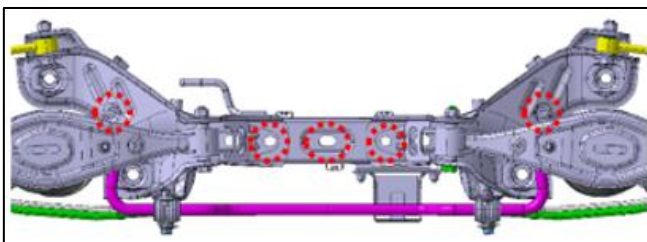
- Front sub-frame
- Front lower control arms





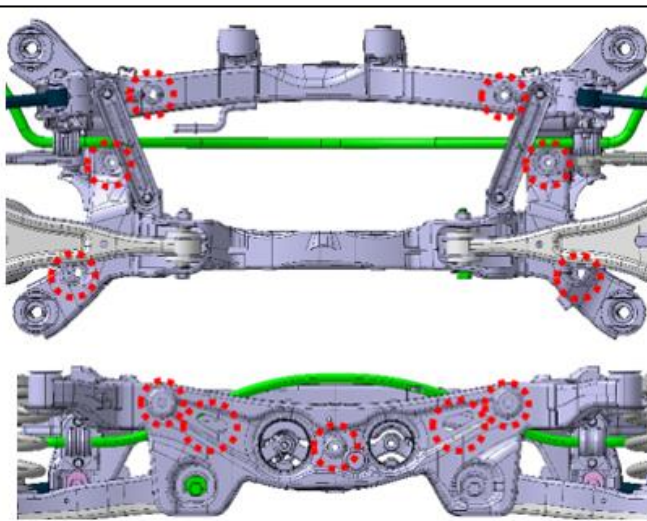
Rear Underbody (FWD)

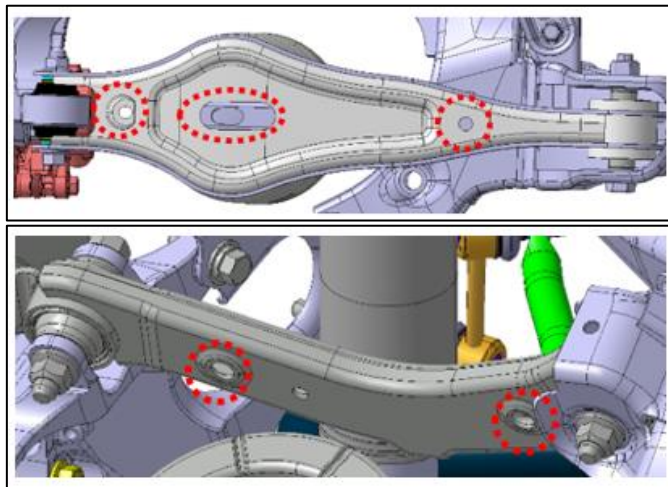
- Rear sub-frame
- Rear lower arms
- Rear upper arms



Rear Underbody (AWD)

- Rear sub-frame
- Rear lower arms
- Rear upper arms





Vehicle Preparation:

1. Wrap the brakes with plastic bags to protect them from overspray. Use tape to secure the plastic in place. Leave the banjo fitting area exposed as shown.

! CAUTION

- The brakes must be sufficiently cooled before it is wrapped.
- May cause burns and melt the plastic.



2. Wrap large plastic bags around the tires and wheels to protect them from overspray. Use tape to secure the plastic in place.



3. Wrap the exhaust areas adjacent to the front and rear sub-frames with plastic bags to protect them from overspray. Use tape to secure the plastic in place.

! CAUTION

- The exhaust must be sufficiently cooled before it is wrapped.
- May cause burns and melt the plastic.

Applying Cavity Wax:

! DANGER

- **This procedure must be performed in a well-ventilated area.**
- **Must wear safety goggles, face protection, and gloves. Rinse eyes with water or skin with soap and water. Do not inhale spray. Seek medical attention if needed.**
- **Flammable & pressurized. Do not spray near flames, sparks, or heated areas. Do not pierce can.**

Apply the cavity wax at each of the locations noted in the following steps.

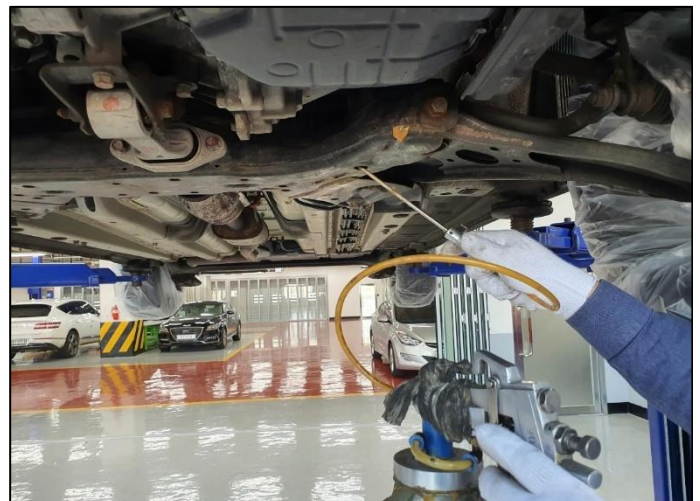
Generally for coating interior surfaces, insert the “inside” nozzle as deeply as possible at each point of entry. Spray the cavity wax while simultaneously rotating the nozzle, and slowly pulling the nozzle out. Continue this rotating/pulling motion until the pink tubing is seen coming out of the hole. The pink tubing indicates there is about 50mm of tubing left until the end of the nozzle. Stop spraying when the pink tubing is seen.

Generally for coating exterior surfaces, use the “outside” nozzle, provided with the wax gun. Use this nozzle if the inside nozzle is too large to access the internal cavity of the components.

1. Use the marked areas as a guideline to insert the cavity wax nozzle. Additional access into the internal cavity of the components might be possible.

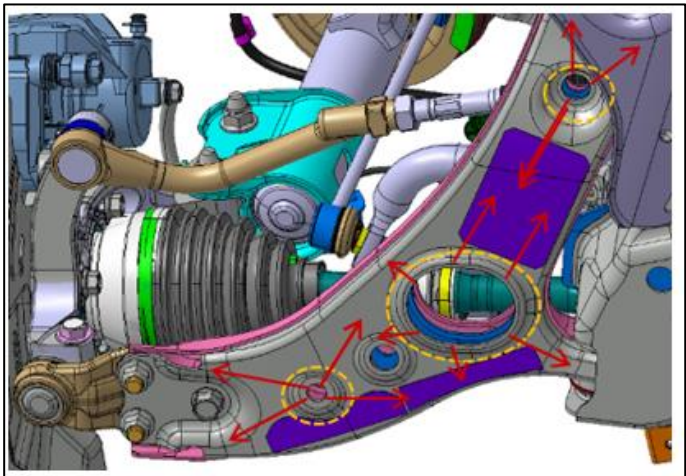
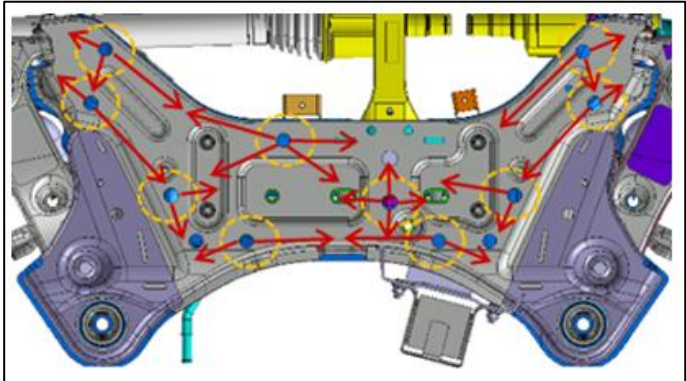
i Information

Wipe the excess wax off the exterior surfaces of the components.



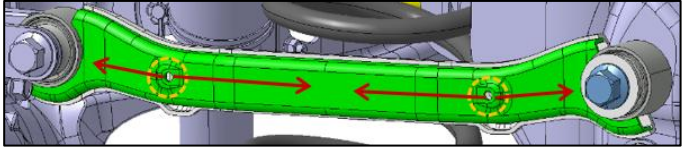
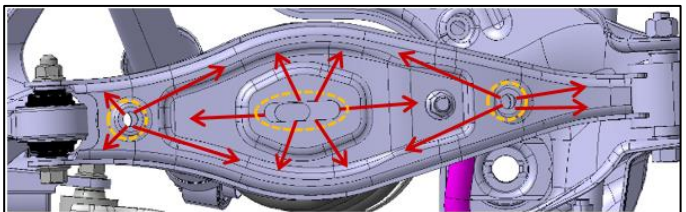
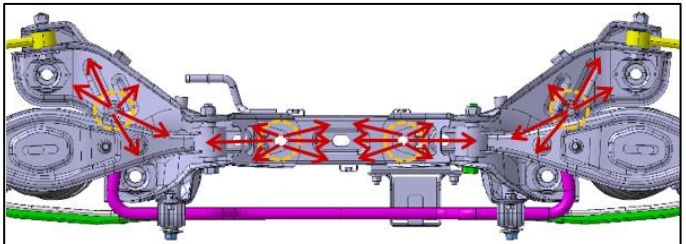
Front Underbody (FWD/AWD)

- Front sub-frame
- Front lower control arms



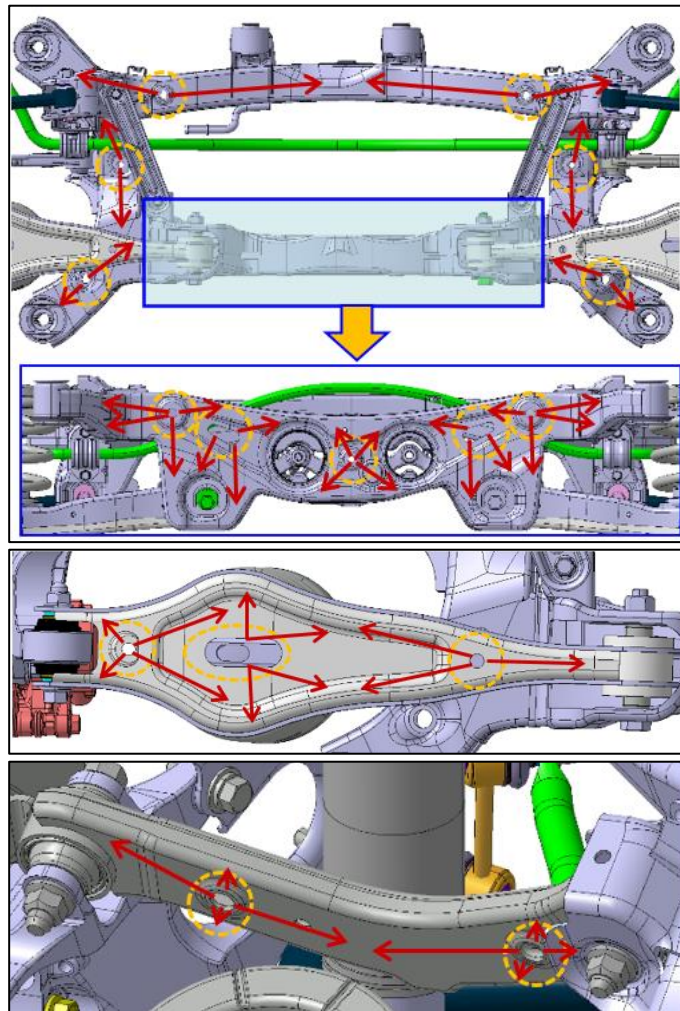
Rear Underbody (FWD)

- Rear sub-frame
- Rear lower arms
- Rear upper arms



Rear Underbody (AWD)

- Rear sub-frame
- Rear lower arms
- Rear upper arms



Applying Undercoating:

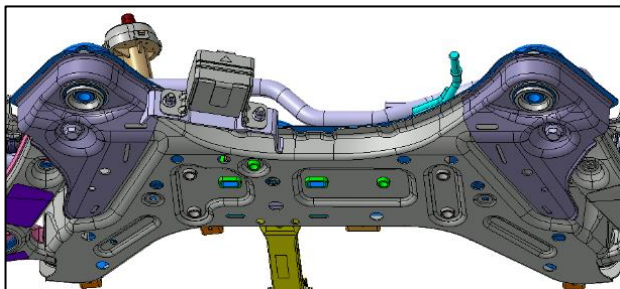
! DANGER

- This procedure must be performed in a well-ventilated area.
- Must wear safety goggles, face protection, and gloves. Rinse eyes with water or skin with soap and water. Do not inhale spray. Seek medical attention if needed.
- Flammable & pressurized. Do not spray near flames, sparks, or heated areas. Do not pierce can.

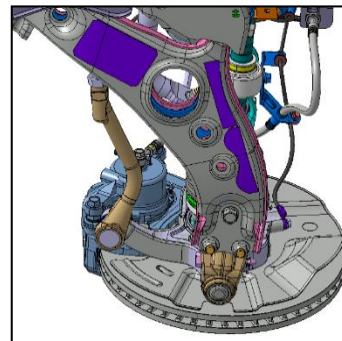
Spray the black undercoating on all exterior surfaces of the front and rear sub-frames, front lower arms, rear upper arms, rear trailing arms, front and rear brake caliper banjos, brake tube brackets, fuel & brake tubes, and spare tire carrier assembly. Refer to the following images.

1.

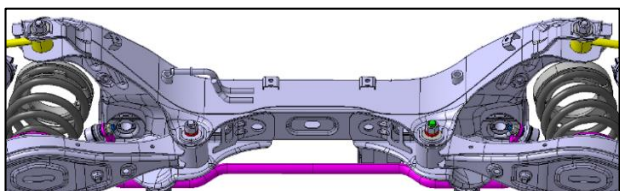
Front sub-frame



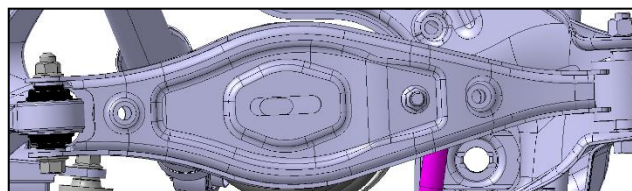
Front lower arms



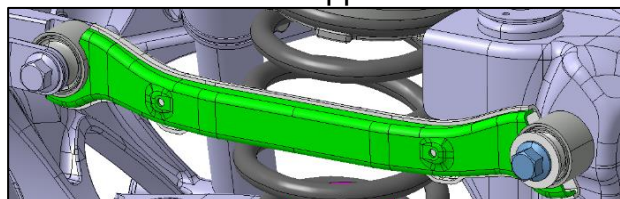
FWD rear sub-frame



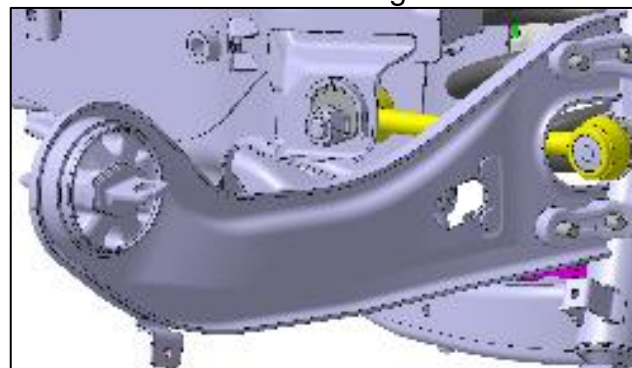
FWD rear lower arms



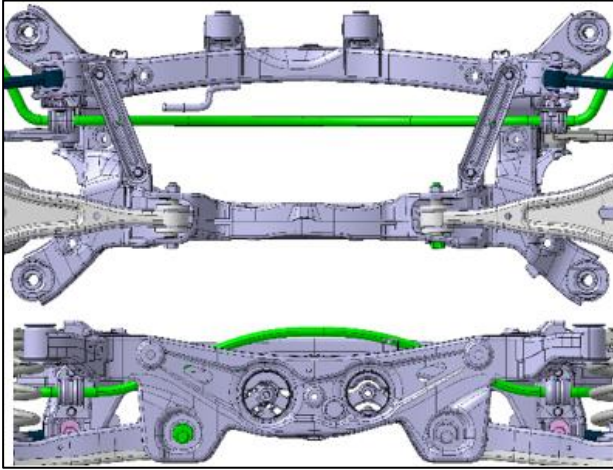
FWD rear upper arms



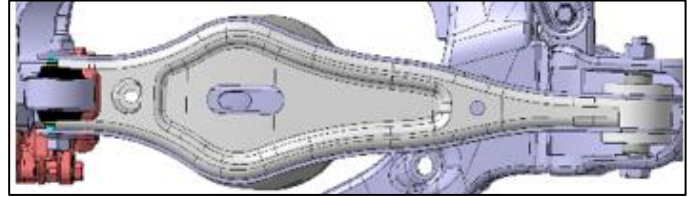
FWD rear trailing arms



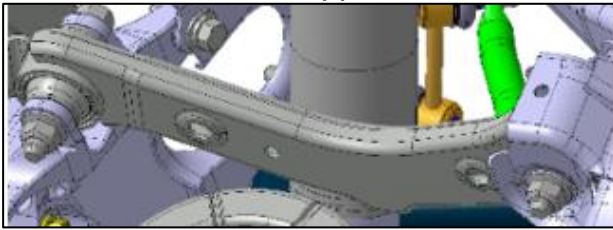
AWD rear sub-frame



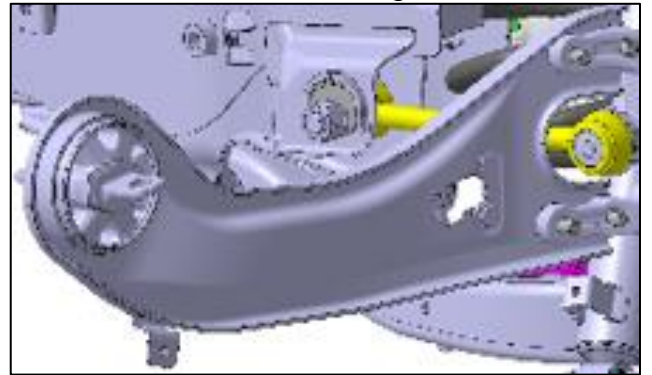
AWD rear lower arms



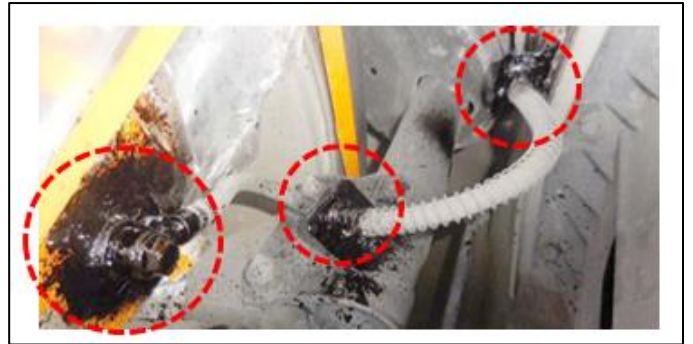
AWD rear upper arms



AWD rear trailing arms

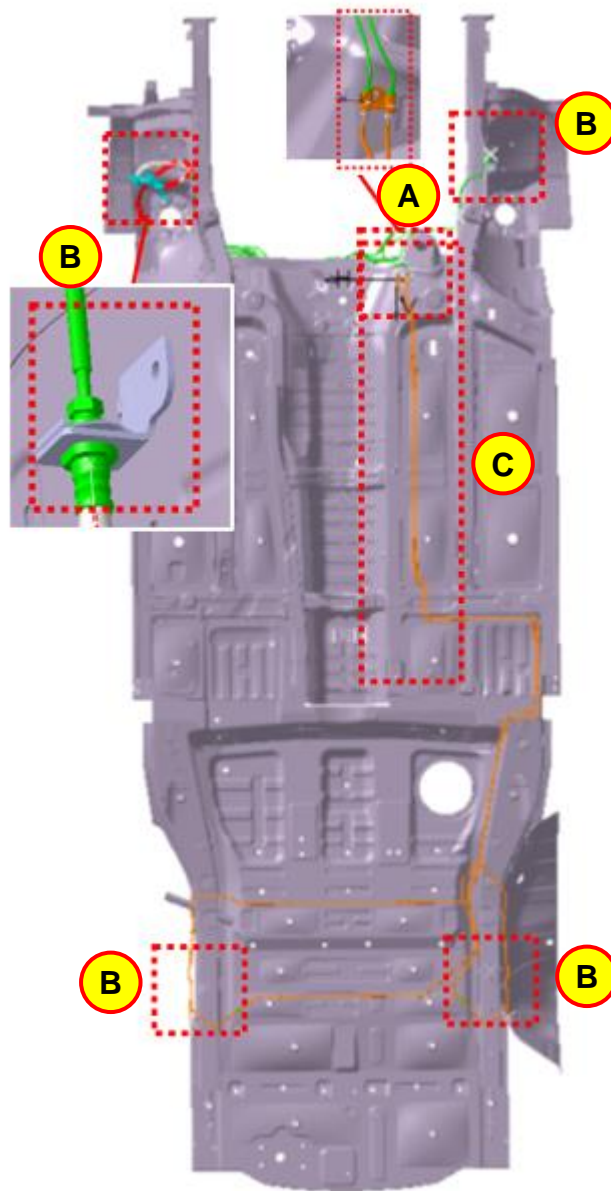


Banjo and brackets at each wheel position



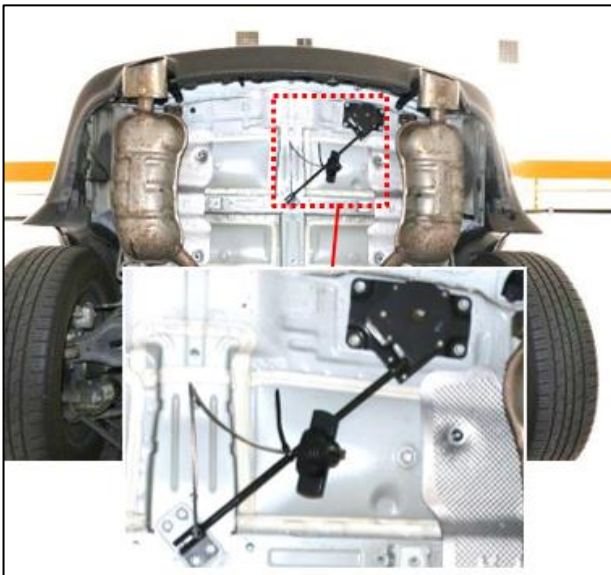
2. Additional brake and fuel tube brackets and connectors:

- Brake tube 2-way connector (A)
- Brake tube mounts (B)
- Rear brake and fuel tubes within the area marked in red (C)



3. Spare tire carrier assembly:

- 1) Remove the spare tire.
- 2) Use a wire brush to remove debris from the support bracket, tensioning spring, and the spring cup.
- 3) Apply undercoating to the support bracket, tensioning spring, and the spring cup.
- 4) Allow undercoating to dry before reassembling.



4. Remove all the plastic bags.

5.

STUI

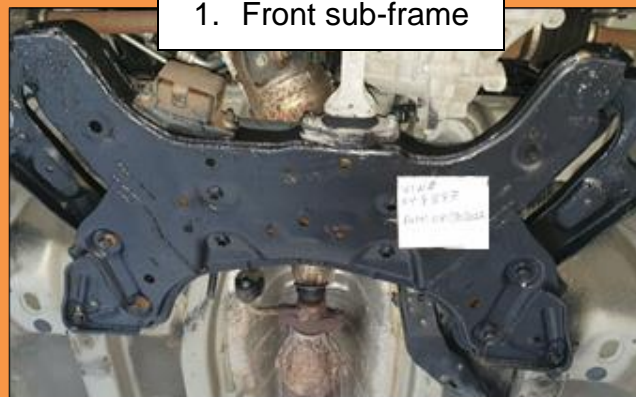


Using STUI, take clear photos of the following components after the undercoating is applied with the last 6 digits of the VIN and the date of repair on a piece of paper. See examples shown to the right.

1. Front sub-frame
2. Rear sub-frame
3. Left front lower control arm
4. Right front lower control arm
5. Left rear trailing arm
6. Right rear trailing arm
7. Left rear lower control arm
8. Right rear lower control arm
9. Left rear upper control arm
10. Right rear upper control arm
11. Spare tire carrier

Upload all photos to STUI.

1. Front sub-frame

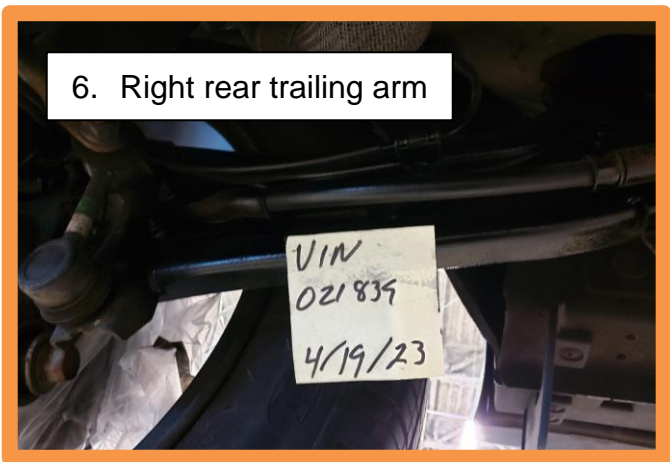
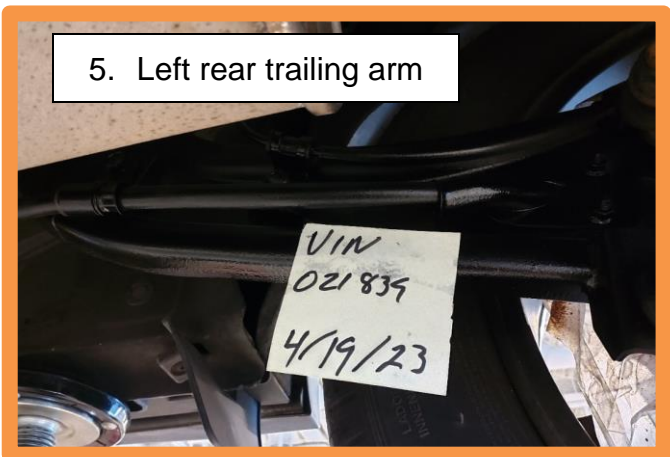
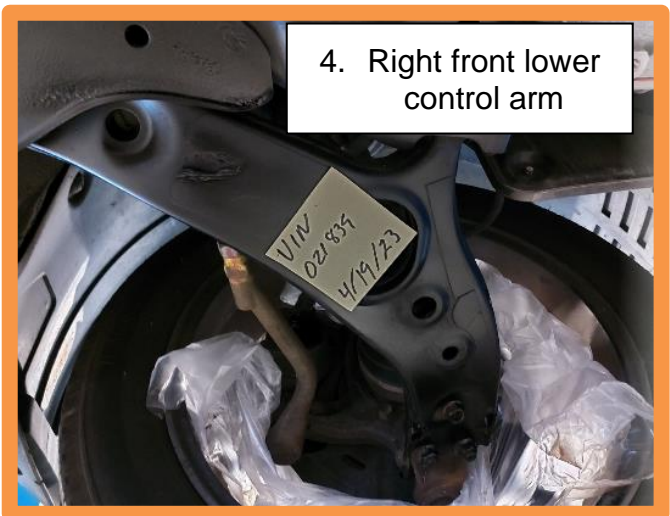


2. Rear sub-frame



3. Left front lower control arm





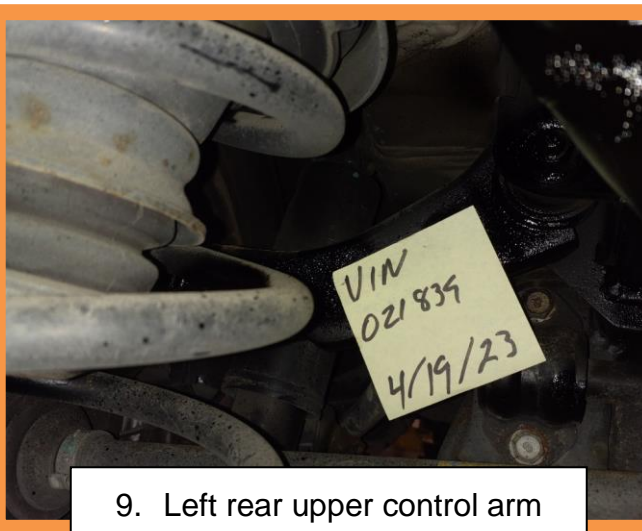
7. Left rear lower control arm



8. Right rear lower control arm



9. Left rear upper control arm





7. Reinstall the parts in the reverse order of removal.
8. The procedure is now complete.