

## SS 754 - WST 2023 49X and 47X Web Mounted 5th Wheel Ramps

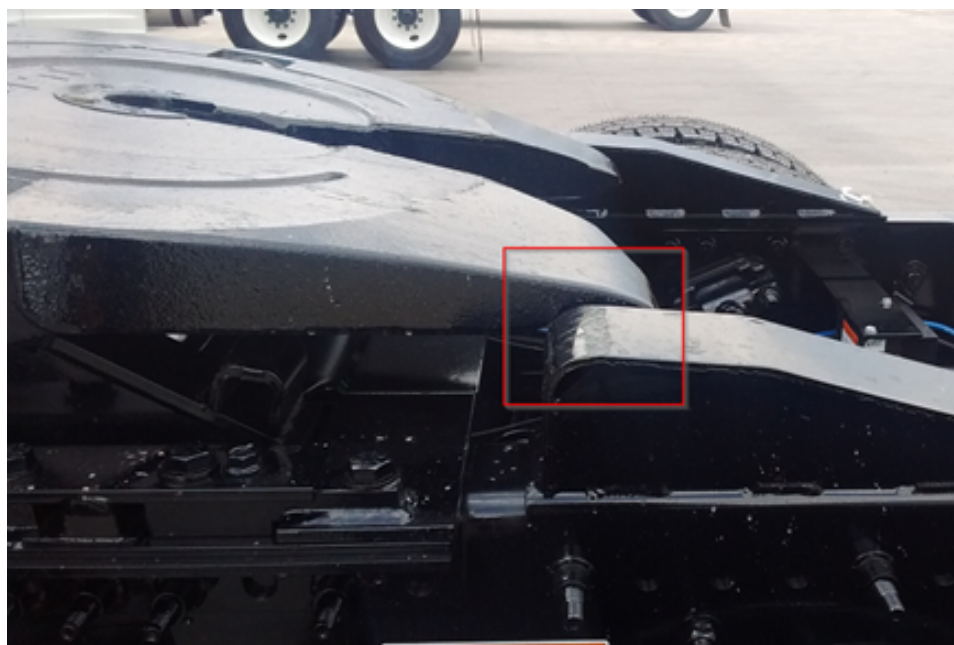
### **Applicable Vehicles**

Western Star 49X and 47X vehicles equipped with Holland air sliding 5th wheels (Family Data Code 578-A02) and frame rail web mounted ramps.

Build dates between 01/01/2019 and 07/01/2023

### **Symptoms**

On certain tractor configuration vehicles, when the 5th wheel is slid aft, there is potential for the 5th wheel top plate to contact the 5th wheel ramps. This interference restrains the 5th wheel top plate from reaching the designed lowest position when the tractor is in the unloaded configuration. ( See picture below).



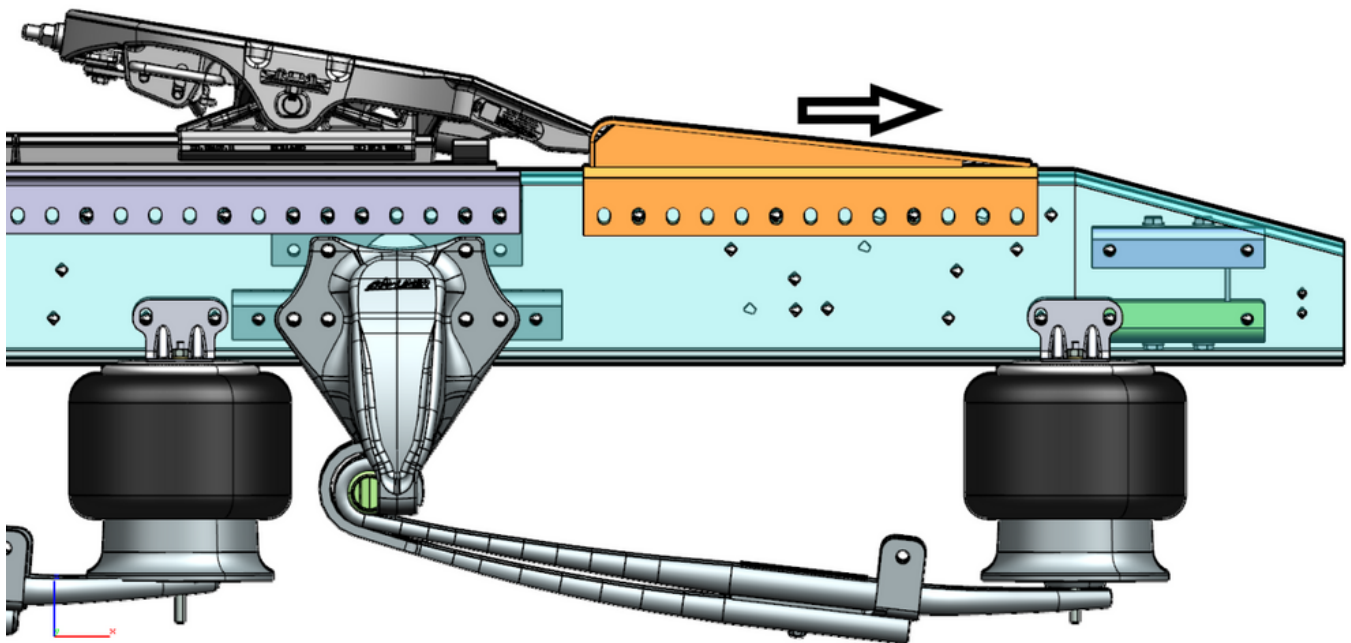
## **Issue**

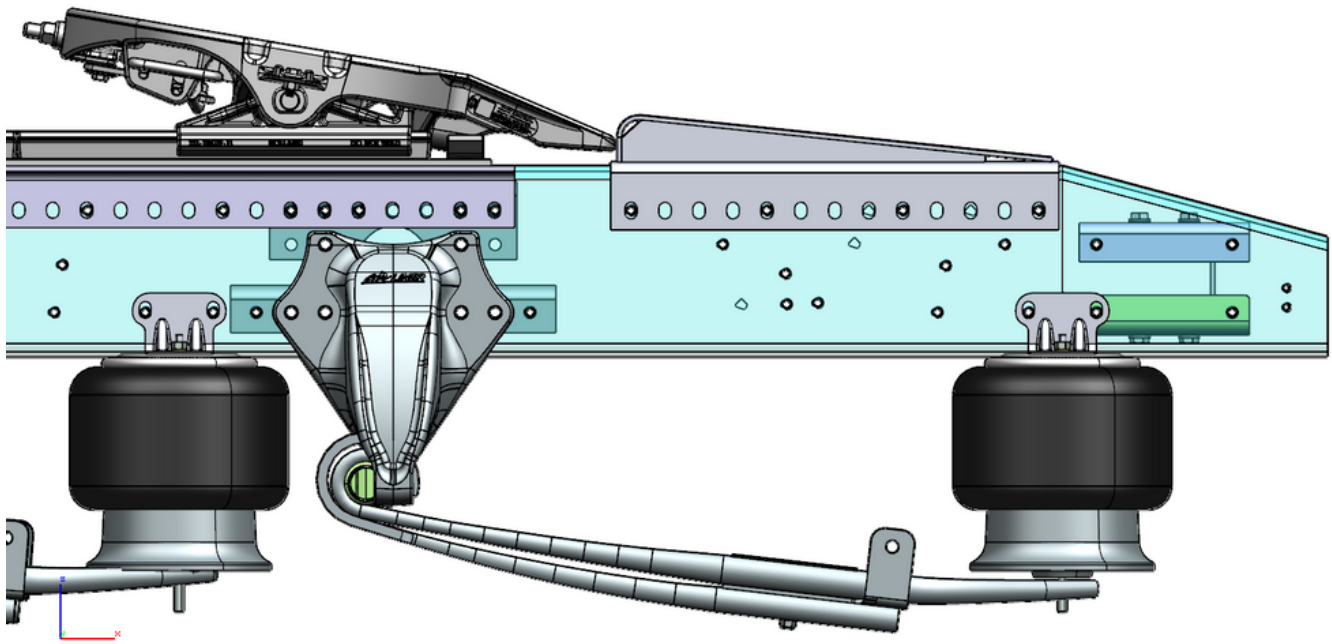
To avoid the symptoms reported above, web mounted 5th wheel ramps were modified at the truck manufacturing plant. A potential interference issue is possible when a dealer/customer orders new unmodified replacement 5th wheel ramps.

## **Solution**

There are two possible solutions for the potential issue:

- Move the replacement 5th wheel ramps one frame rail grid hole aft to provide the required clearance. (See pictures below)
- If moving the replacement 5th wheel ramps one frame rail grid hole aft is not possible, modify the replacement ramp width to provide required clearance to the 5th wheel top plate. Use the width of the original factory installed ramps as a guide for the modification required.





Labels :

47X

49X

Add tags



1 Kudo

Comment