

FLA COE
 FLB COE
 FLD Conventional
 Business Class
 FLC 112 Conventional
 Century Class Conventional

Argosy
 Cargo
 Columbia
 122SD and Coronado
 Business Class M2

Cascadia
 108SD/114SD
 > New Cascadia
 eCascadia
 M2 Plus

**Freightliner
 Service Bulletin**

Description of Revisions: *This bulletin replaces the version dated June 2023. The title has been updated.*

General Information

New Cascadia vehicles built from January 1, 2019 through September 30, 2023 and operating in extreme conditions can create premature wear of the cab isolators due to a combination of heat and road conditions. A new set of cab isolators have been released for vocational applications to address this issue. If the vehicle has failed one or both isolators under these conditions, follow this service bulletin to replace the cab isolators.

Parts Required

For parts list, see [Table 1](#).

Parts and Specialized Tools Table		
Part Number	Part Description	Quantity
18-73837-000	CAB MOUNT ISOLATOR	2
23-14067-065	BOLT-HEX, ZNAL, BK, M16X1.5X65	4
18-71231-025	SHIM-CAB MOUNT, 6.35MM	2

Table 1, Parts and Specialized Tools Table

Inspection

1. Park the vehicle on a level surface, shut down the engine, and set the parking brake. Chock the tires.
2. Disconnect the batteries.
3. Remove the front wheel splash shield. For instructions, see **Section 88.01, Subject 100** of the *New Cascadia Workshop Manual*. [Figure 1](#) shows the location of cab-installed splash shields.

Freightliner Service Bulletin

FLA COE
FLB COE
FLD Conventional
Business Class
FLC 112 Conventional
Century Class Conventional

Argosy
Cargo
Columbia
122SD and Coronado
Business Class M2

Cascadia
108SD/114SD
> New Cascadia
eCascadia
M2 Plus

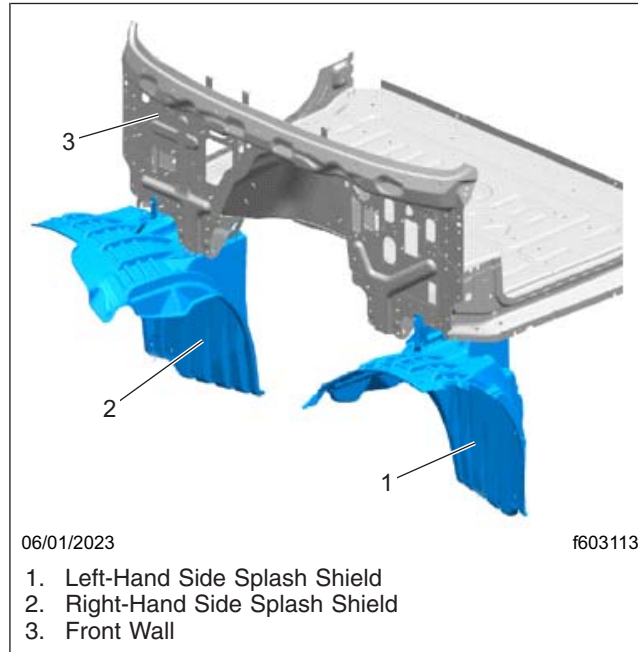


Fig. 1, Cab-Installed Splash Shield

WARNING

Do not work under the cab when it is supported only by a jack. Use safety stands or other suitable means to firmly support the cab. Jacks can slip, causing the cab to fall, which could result in serious injury or death.

4. Using a jack, lift up the front of the cab just enough to loosen the isolator bolt. Support the cab with jack stands.

IMPORTANT: Make sure to replace both left-hand and right-hand side isolators together.

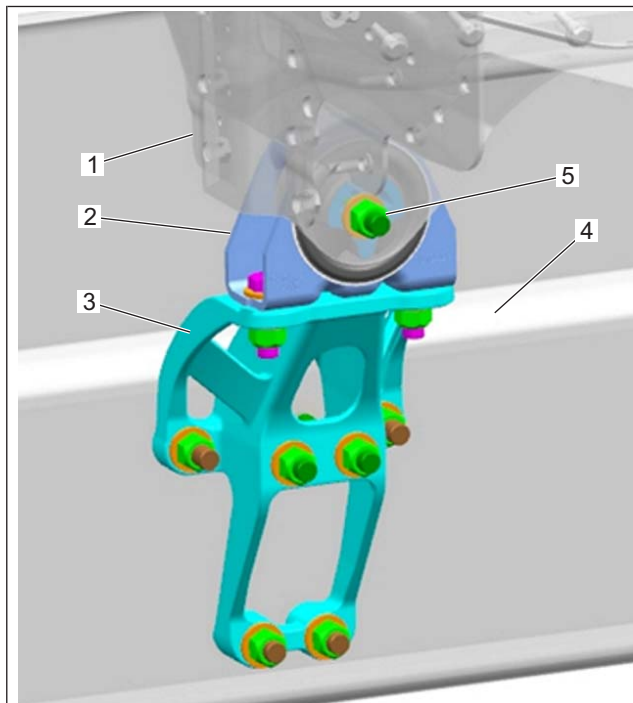
5. Remove the isolator bolt, nut, and washers. See [Fig. 2](#).

FLA COE
FLB COE
FLD Conventional
Business Class
FLC 112 Conventional
Century Class Conventional

Argosy
Cargo
Columbia
122SD and Coronado
Business Class M2

Cascadia
108SD/114SD
> New Cascadia
eCascadia
M2 Plus

**Freightliner
Service Bulletin**



01/06/2017

f602622

Front left-hand side cab mount installation shown. The right-hand side cab mount installation is similar to the left-hand side.

1. Cab
2. Cab Mount Isolator
3. Frame-Mounted Bracket
4. Frame Rail
5. Isolator Bolt

Fig. 2, Cab Mount Isolator Removal

6. Note the position of the isolator against the hash marks on top of the bracket. See [Fig. 3](#).

Freightliner Service Bulletin

FLA COE
FLB COE
FLD Conventional
Business Class
FLC 112 Conventional
Century Class Conventional

Argosy
Cargo
Columbia
122SD and Coronado
Business Class M2

Cascadia
108SD/114SD
> New Cascadia
eCascadia
M2 Plus

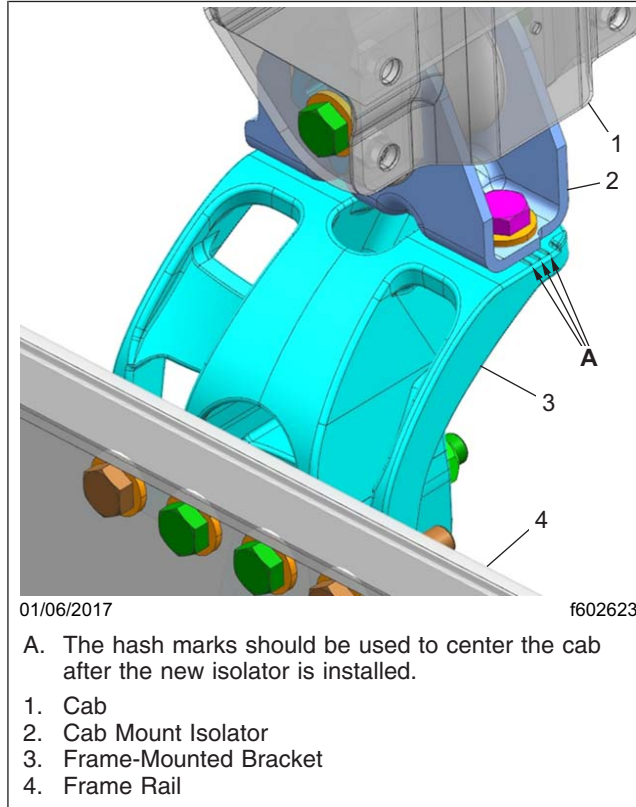


Fig. 3, Positioning the Cab Mount Isolator

7. Remove and discard the bolts, nuts, and washers that attach the cab-mount isolator to the frame-mounted bracket. Remove and discard the isolator. See [Fig. 4](#).

FLA COE
 FLB COE
 FLD Conventional
 Business Class
 FLC 112 Conventional
 Century Class Conventional

Argosy
 Cargo
 Columbia
 122SD and Coronado
 Business Class M2

Cascadia
 108SD/114SD
 > New Cascadia
 eCascadia
 M2 Plus

**Freightliner
 Service Bulletin**

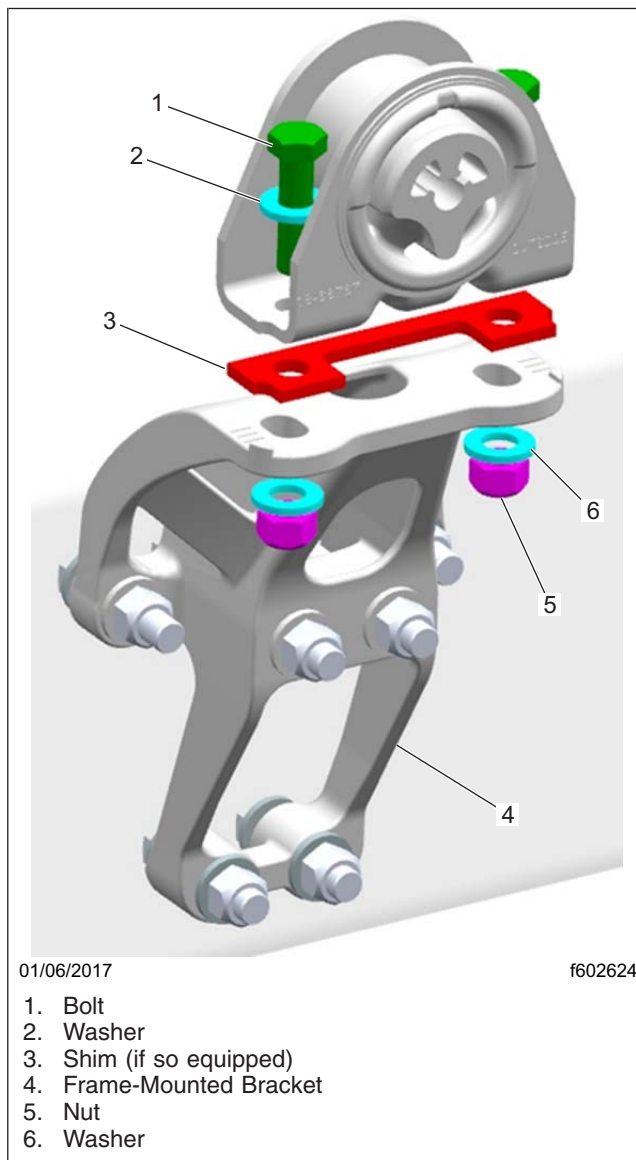


Fig. 4, Cab Mount Isolator Installation

NOTE: If a shim is already installed between the cab-mount isolator and the frame-mounted bracket, retain it in place on the bracket.

Installation

1. Place a new cab mount isolator on the frame-mounted bracket, between the ears of the bracket on the cab underbody. Make sure that the stamped word 'OUTSIDE' is facing outboard, and that the position of the isolator against the hash marks on top of the bracket matches that of the old isolator. See [Fig. 3](#).

Freightliner Service Bulletin

FLA COE
FLB COE
FLD Conventional
Business Class
FLC 112 Conventional
Century Class Conventional

Argosy
Cargo
Columbia
122SD and Coronado
Business Class M2

Cascadia
108SD/114SD
> New Cascadia
eCascadia
M2 Plus

- Attach the cab mount isolator to the bracket on the cab underbody with the isolator bolt, washers, and nut, inserting the bolt from the inboard side. See [Fig. 5](#). This procedure applies to both the left-hand and right-hand side cab installations.

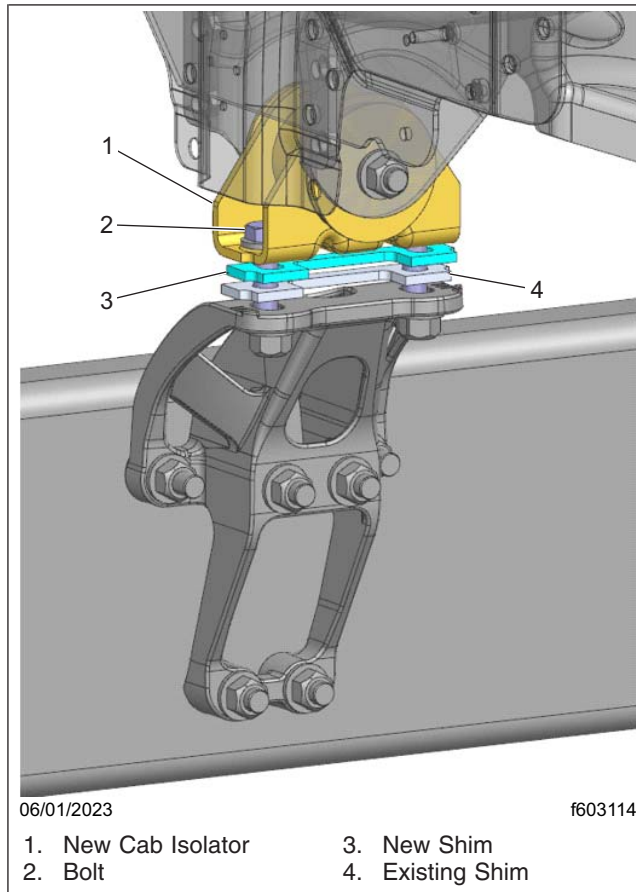


Fig. 5, Front Cab Isolator Assembly Installation with Shims

- Carefully lower the cab.
- Tighten the new isolator bolt, washers, and nuts 128 lbf-ft (174 N·m).
- Tighten the cab mount isolator nut 128 lbf-ft (174 N·m).
- Install the front wheel splash shield. For instructions, see **Section 88.01, Subject 100** of the *New Cascadia Workshop Manual*.
- Close the hood.

Warranty

This procedure is warrantable only if the described condition exists and the repair is performed within the applicable base or extended coverage warranty period. If a failure is not found, this procedure is considered preventive, and warranty does not apply.

FLA COE
 FLB COE
 FLD Conventional
 Business Class
 FLC 112 Conventional
 Century Class Conventional

Argosy
 Cargo
 Columbia
 122SD and Coronado
 Business Class M2

Cascadia
 108SD/114SD
 > New Cascadia
 eCascadia
 M2 Plus

Normal warranty applies. See [Table 2](#) for OWL VMRS codes and labor allowance information. Enter this service bulletin number in the *Service Bulletin #* field.

OWL VMRS Codes and Labor Allowance						
Primary Failed Part	Component Code	Cause Code	Correction Code	SRT Code	Description	Time: Hours
18-68767-000/001	014-004-035	14	3	650-5000A	ISOLATOR ASSY, CAB MOUNT, FRNT, BOTH SIDES, R/R (SB60-180)	0.8

Table 2, OWL VMRS Codes and Labor Allowance