



STAR ONLINE PUBLICATION



Case Number: S2223000075 Rev. A

Release Date: August 2023

Symptom/Vehicle Issue: Front Fascia Cover Gaps And Or Poor Fitment Near Headlight.



Fascia Gap

This document does not authorize warranty repairs. This communication documents a record of past experiences. STAR Online does not provide any conclusions about what is wrong with the vehicle. Rather, it captures all previous cases known that appear to be similar or related to the vehicle symptom / condition. You are the expert, and you are responsible for deciding on the appropriate course of action.

Contact STAR Center, or your Technical Assistance Center Via TechConnect, eCONTACT or Service Library entry if no solution is found.



STAR ONLINE PUBLICATION



Discussion: Sometimes simply removing and installing the fascia will correct the fitment issue on first time occurrences. If the condition returns or the fascia will not snap into the retainers, perform the following.

If the front fascia has a gap at the headlight, remove the front fascia and inspect the body mounted fascia brackets. Refer to Service Library 13 - Frame and Bumpers / Bumpers / FASCIA, Front / Removal and Installation. If one or both rivets are missing, replace the bracket (Fig 1). If the rivets are in place and the bracket is tightly mounted, inspect the fascia snaps (Fig 2).

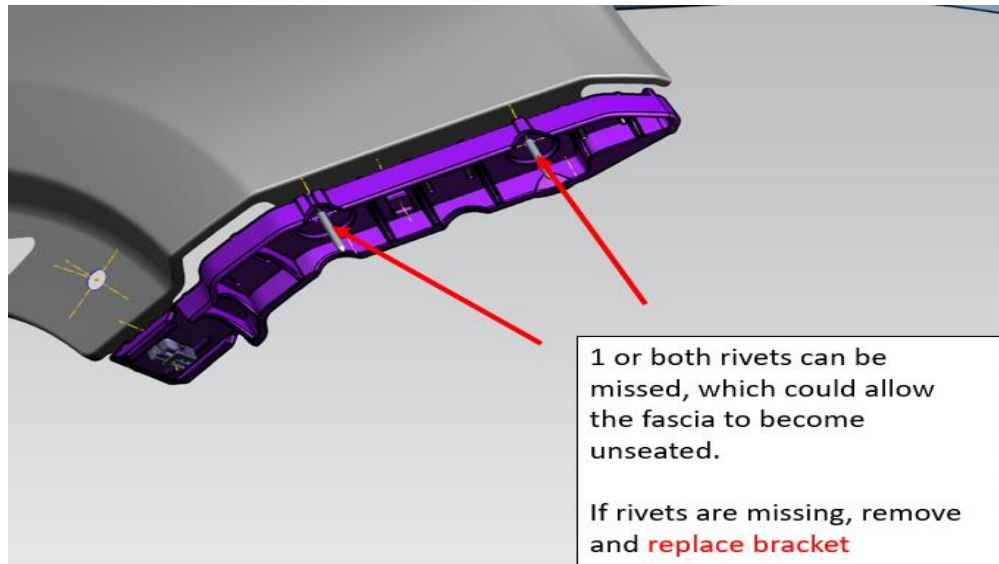


Fig 1.
Fascia Retention Bracket And Rivets (Attaches To The Fender).

This document does not authorize warranty repairs. This communication documents a record of past experiences. STAR Online does not provide any conclusions about what is wrong with the vehicle. Rather, it captures all previous cases known that appear to be similar or related to the vehicle symptom / condition. You are the expert, and you are responsible for deciding on the appropriate course of action.

Contact STAR Center, or your Technical Assistance Center Via TechConnect, eCONTACT or Service Library entry if no solution is found.



STAR ONLINE PUBLICATION

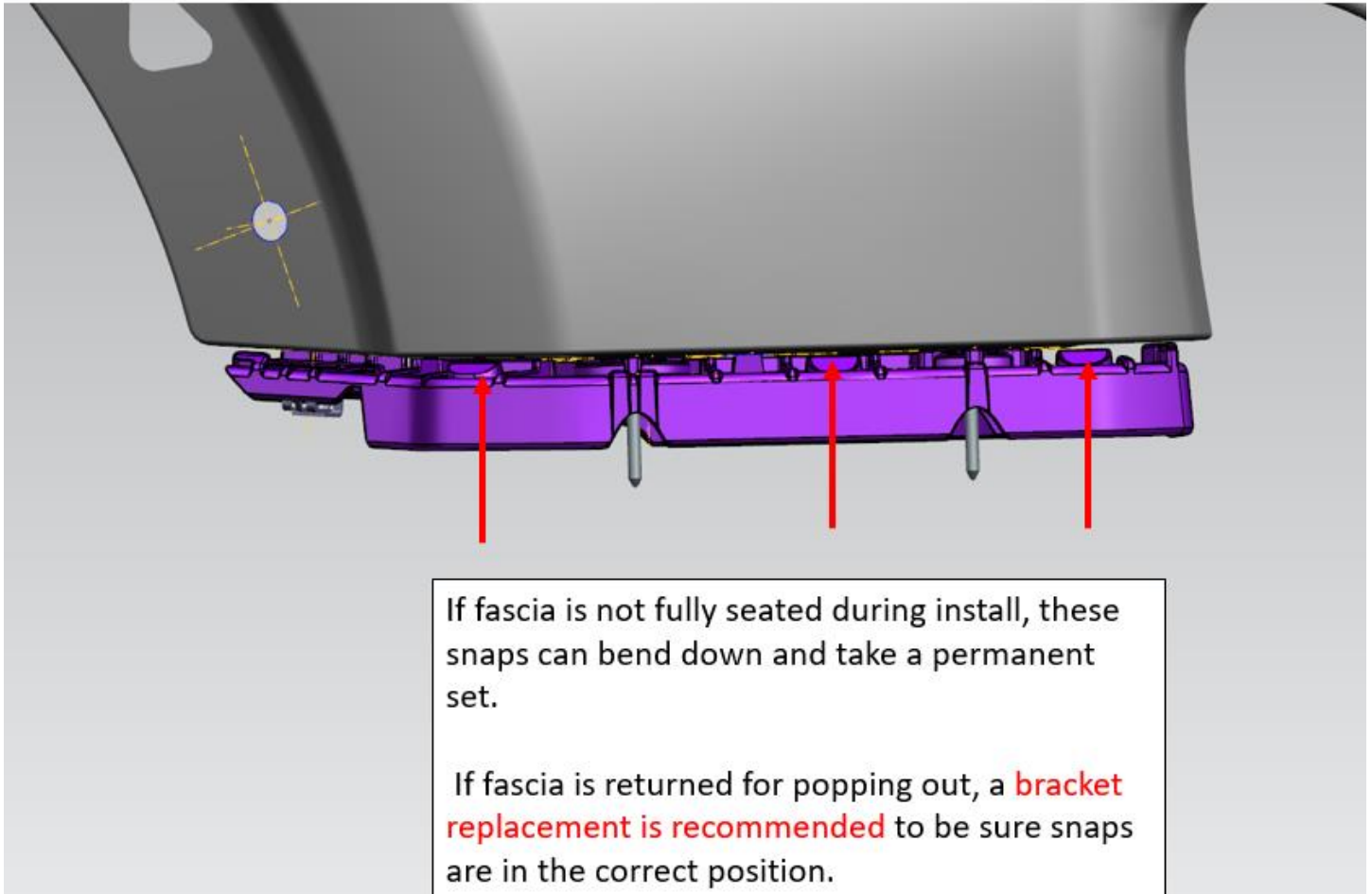


Fig 2.
Snap locations.

Use of a trim stick can aid in seating the snap features that retain the fascia. If there is damage to the snaps (snaps do not spring back or are broken), replace the bracket.

This document does not authorize warranty repairs. This communication documents a record of past experiences. STAR Online does not provide any conclusions about what is wrong with the vehicle. Rather, it captures all previous cases known that appear to be similar or related to the vehicle symptom / condition. You are the expert, and you are responsible for deciding on the appropriate course of action.

Contact STAR Center, or your Technical Assistance Center Via TechConnect, eCONTACT or Service Library entry if no solution is found.