



## STAR ONLINE PUBLICATION



**Case Number:** S2223000078 Rev.A

**Release Date:** August 2023

**Symptom/Vehicle Issue:** Interior Dust Intrusion In Rear Cargo Area.

**Customer Complaint/Technician Observation:** Customer may complain of a significant amount of dust in the interior. Highest accumulation may be in the rear of the cargo area when vehicle is driven on dusty roads.

**Discussion:** Examine the liftgate scuff plate and quarter trim outer clip holes for both left and right hand sides (Fig 1). If a large amount of dust is found in this location clean the area and replace the sill trim U clip with a new sealed clip 06513657AA (Fig 2). Panel removal and installation steps can be found in Service Library 23 - Body / Interior / PLATE, Scuff, Liftgate Sill / Removal and Installation and 23 - Body / Interior / PANEL, Quarter Trim / Removal and Installation.

This document does not authorize warranty repairs. This communication documents a record of past experiences. STAR Online does not provide any conclusions about what is wrong with the vehicle. Rather, it captures all previous cases known that appear to be similar or related to the vehicle symptom / condition. You are the expert, and you are responsible for deciding on the appropriate course of action.

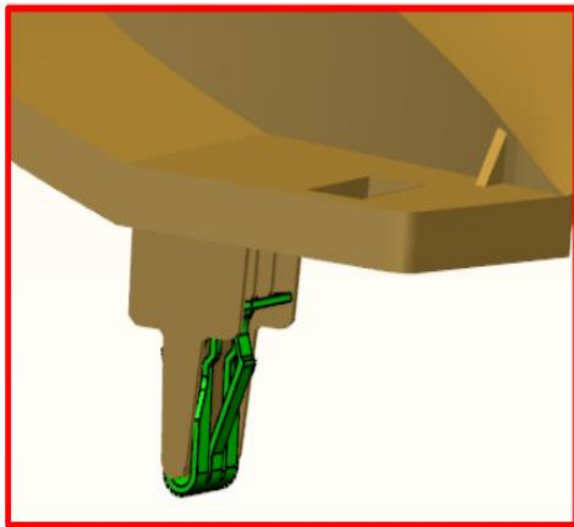
**Contact STAR Center, or your Technical Assistance Center Via TechConnect, eCONTACT or Service Library entry if no solution is found.**



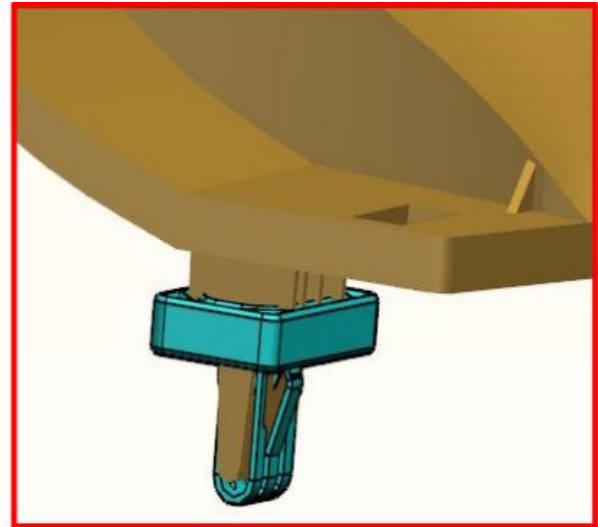
# STAR ONLINE PUBLICATION



Fig 1



Original Clip Design



New 06513657AA Clip Design

Fig 2.

This document does not authorize warranty repairs. This communication documents a record of past experiences. STAR Online does not provide any conclusions about what is wrong with the vehicle. Rather, it captures all previous cases known that appear to be similar or related to the vehicle symptom / condition. You are the expert, and you are responsible for deciding on the appropriate course of action.

**Contact STAR Center, or your Technical Assistance Center Via TechConnect, eCONTACT or Service Library entry if no solution is found.**



## STAR ONLINE PUBLICATION

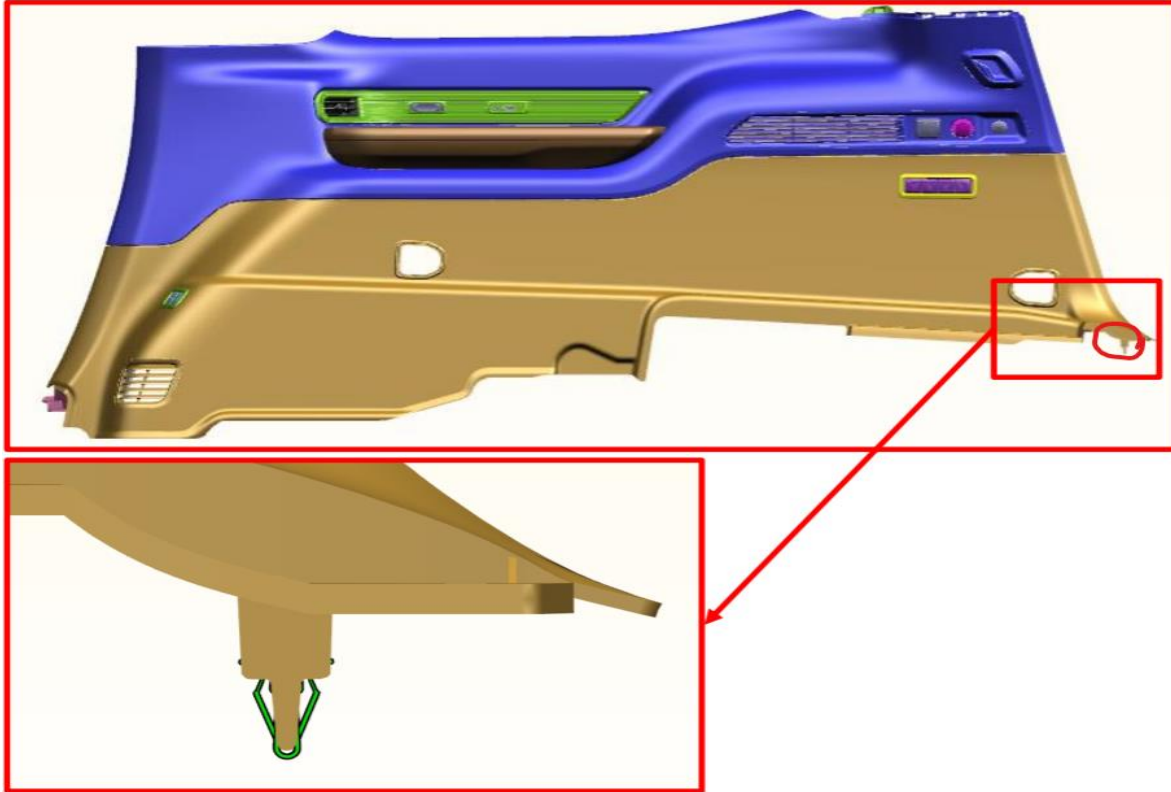


Fig 3

Right Rear Quarter Trim Shown. Left Similar. One Sill Clip Per Side.

This document does not authorize warranty repairs. This communication documents a record of past experiences. STAR Online does not provide any conclusions about what is wrong with the vehicle. Rather, it captures all previous cases known that appear to be similar or related to the vehicle symptom / condition. You are the expert, and you are responsible for deciding on the appropriate course of action.

**Contact STAR Center, or your Technical Assistance Center Via TechConnect, eCONTACT or Service Library entry if no solution is found.**