



STAR ONLINE PUBLICATION



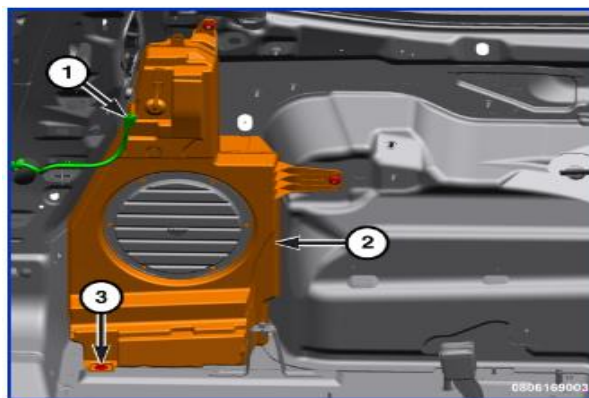
Case Number: S2323000066

Release Date: August 2023

Symptom/Vehicle Issue: Buzz Squeak Rattle (BSR) From Left Rear Cargo Area Near Subwoofer.

Customer Complaint/Technician Observation: BSR noises over rough roads or with loud music and bass notes coming from inside or outside the rear left cargo area of the vehicle.

Discussion: The source of the noise could be related to the subwoofer. Remove the left rear quarter trim panel to inspect the subwoofer installation. Refer to Service Library 08 - Electrical / 8A - Audio/Video/Entertainment/Connectivity / SPEAKER / Removal and Installation Subwoofer. Inspect subwoofer fasteners and harness routing for possible cause of the rattle.



1 - Wire Harness Connector

2 - Subwoofer

3 - Subwoofer Fasteners

This document does not authorize warranty repairs. This communication documents a record of past experiences. STAR Online does not provide any conclusions about what is wrong with the vehicle. Rather, it captures all previous cases known that appear to be similar or related to the vehicle symptom / condition. You are the expert, and you are responsible for deciding on the appropriate course of action.

Contact STAR Center, or your Technical Assistance Center Via TechConnect, eCONTACT or Service Library entry if no solution is found.



STAR ONLINE PUBLICATION



This document does not authorize warranty repairs. This communication documents a record of past experiences. STAR Online does not provide any conclusions about what is wrong with the vehicle. Rather, it captures all previous cases known that appear to be similar or related to the vehicle symptom / condition. You are the expert, and you are responsible for deciding on the appropriate course of action.

Contact STAR Center, or your Technical Assistance Center Via TechConnect, eCONTACT or Service Library entry if no solution is found.