

Bulletin #: AS-40-23		<input type="checkbox"/> Take Note <input checked="" type="checkbox"/> Take Action	
<input type="checkbox"/> Retail Operator	<input type="checkbox"/> Sales Pre-Owned	<input checked="" type="checkbox"/> Business Manager	<input checked="" type="checkbox"/> Parts & Accessories
<input checked="" type="checkbox"/> General Manager	<input type="checkbox"/> Sales New Bike	<input checked="" type="checkbox"/> Service	<input type="checkbox"/> Administration
Name:		Phone Number:	
Title: Material Planning and Parts Logistics Specialist		Source: Parts Logistics	
Email:			
Date: 9/29/2023		Supersedes: -	

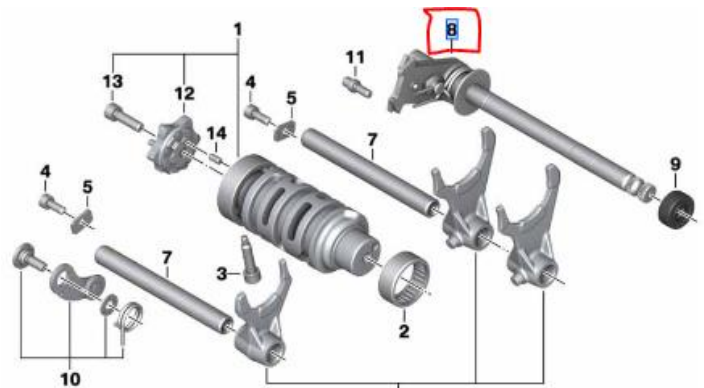
TEC571 KIT GEARSHIFT SHAFT

INSPECT OF ALL PARTS ON STOCK

OVERVIEW

- BMW AG has requested the inspection of all dealer stock of the following part number(s) listed below to ensure the spacer is conformed to drawing.

Description	Part Number
Kit Gearshift Shaft	23 30 7 108 351



- The image to the right shows the parts as depicted in ETK. Please see below pictures for assistance determining affected stock.
- Remaining stock should not be sold or installed on any vehicle.
- Concerned are all remaining new, spare parts shipped and delivered to date only.
- Please return all incorrect part(s) to your facing Regional Distribution Center (RDC). Submit for return using a YR26 damage claim with order reason BM2. A valid BMW delivery and delivery item number must be entered, and 'TEC571' must appear in the text of your TEC claim. For assistance locating the delivery number, please open an IDS ticket with Dealer Services in the Claims section directed to Returns/Claims/Quality.

MORE DETAILS

MAKE LIFE A RIDE



- TEC571 is valid from September 29, 2023, through October 12, 2023. The deadline for filing a claim under TEC571 is October 26, 2023.
- All parts must be returned to your facing RDC no later than November 9, 2023.
- Please re-order as needed.

Affected Parts (NOT OK)



Non Affected Parts (OK)

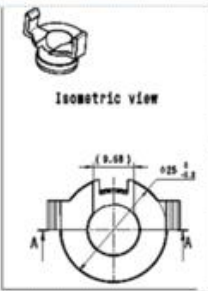
Korrekte Satzaufstellung mit dem richtigen Lager SNR 7108024:

Menge	Kategorie	HG	UG	Sachnummer ^	Benennung
1	kein VT	23	00	7108024	Lager
1		23	30	8564422	Schalwelle
1	kein VT	23	30	8564431	Schenkelfeder
1		23	30	8564432	Distanzscheibe



weitere Information

more Information



MAKE LIFE A RIDE



**BMW
MOTORRAD**

MORE QUESTIONS?

Aftersales Business Development Manager		
Material Planning and Parts Logistics Analyst		
Aftersales Marketing Specialist		

MAKE LIFE A RIDE
