



## STAR ONLINE PUBLICATION



**Case Number:** S2323000053

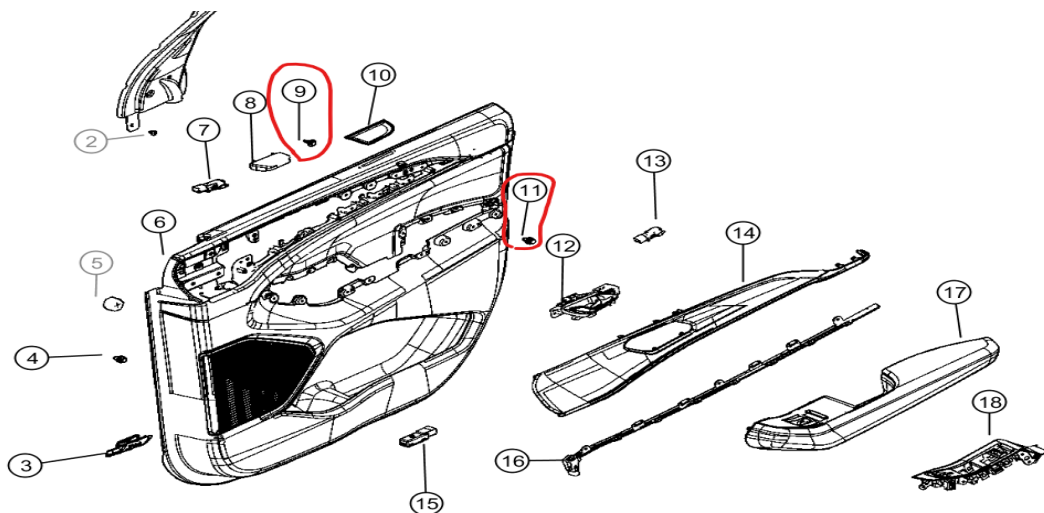
**Release Date:** July 2023

**Symptom/Vehicle Issue:** Buzz Squeak Rattle (BSR) From Door.

**Discussion:** This document discusses 2 possible causes of Door BSR. Read through both conditions prior to starting repair.

A. BSR from the door panel.

Concern could be with front or rear doors. Inspect the door panel attaching screws. Replace any missing and tighten any loose screws prior to doing any further repairs. Once complete test drive to confirm repair resolved the customer's concern. If still present on front door only, proceed to step B.



This document does not authorize warranty repairs. This communication documents a record of past experiences. STAR Online does not provide any conclusions about what is wrong with the vehicle. Rather, it captures all previous cases known that appear to be similar or related to the vehicle symptom / condition. You are the expert, and you are responsible for deciding on the appropriate course of action.

**Contact STAR Center, or your Technical Assistance Center Via TechConnect, eCONTACT or Service Library entry if no solution is found.**

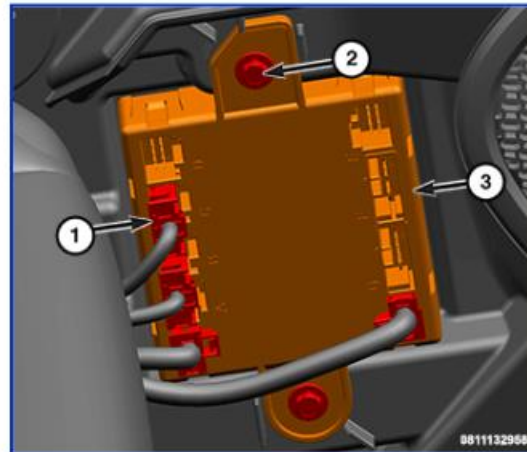


## STAR ONLINE PUBLICATION



### B. BSR from inside the front door.

Remove the trim panel. Inspect the door cavity for loose debris. Verify all trim clips and push pins are intact. Next, inspect the door module attaching screws. Tighten the fasteners securely.



Item 2 Door Module Screws.

This document does not authorize warranty repairs. This communication documents a record of past experiences. STAR Online does not provide any conclusions about what is wrong with the vehicle. Rather, it captures all previous cases known that appear to be similar or related to the vehicle symptom / condition. You are the expert, and you are responsible for deciding on the appropriate course of action.

**Contact STAR Center, or your Technical Assistance Center Via TechConnect, eCONTACT or Service Library entry if no solution is found.**