



# Preliminary Information

## PIC6493A Diagnostic Tip - Steering Wheel Contacting Column Covers

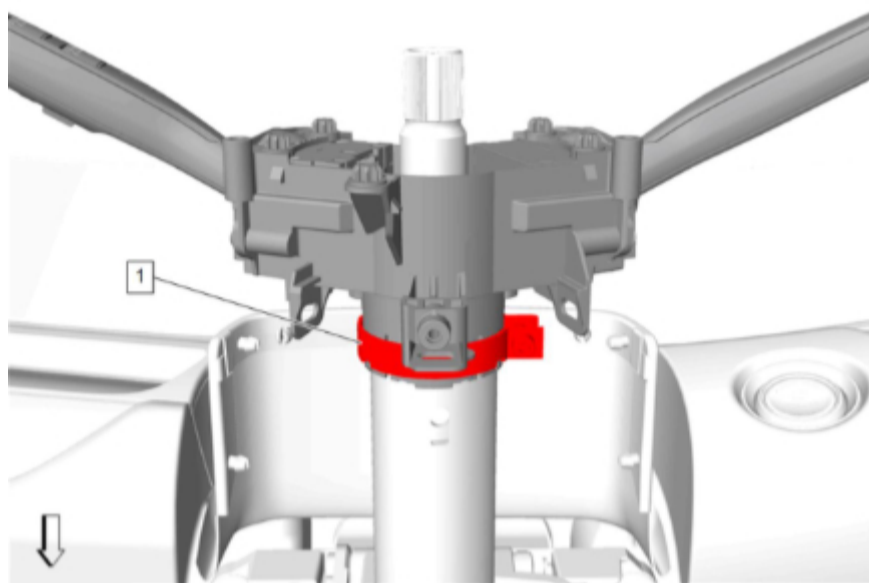
### Models

Brand:	Model:	Model Years:	VIN:		Engine:	Transmissions:
			from	to		
Cadillac	Lyriq	2023 - 2024	All	All	All	All

Involved Region or Country	North America
Condition	A customer may comment that the steering wheel is contacting the steering column covers causing a rub or scrape noise.
Cause	Possible turn signal switch bracket not correctly installed to the steering column.

### Correction:

Remove the steering column covers and inspect for the turn signal switch bracket to be correctly installed. Ensure the tabs on the turn signal switch bracket are fully engaged.



#### 1. Band Clamp

If it is found that the turn signal switch bracket is sitting too high on the column and the tabs are not engaged, loosen the bolt in the turn signal switch bracket band clamp and adjust the bracket to the correct position.

**Note: Do NOT remove the bolt in the turn signal switch bracket band clamp. The turn signal switch bracket will need to be replaced if the bolt from the turn signal switch bracket band clamp is fully removed.**

### Warranty Information

### Version History

Version	2
---------	---

Modified

02/10/2023 - Created on.

08/17/2023 - Added 24 Model Year.



GENERAL MOTORS

© 2023 General Motors. All Rights Reserved.