



Service Campaign S3611

August 2023

Mack LRBE Coolant Tank Cap Replacement

Service Category Service

Section Function Group 2609

Technician Skill Level A

Market North America

Applicability

MACK

Years	Models
2022-2023	LRBE

Introduction

Production Change Information

This bulletin applies to vehicles built within the specified production changes below.

Brand	Engine	Emission Level	Starting Build Date	Ending Build Date
Mack	BEV	EM-ZE	22-April-2021	19-September-2022

Warranty Information

This repair is covered by an authorized Service Program. Reimbursement is obtained through the normal claim handling process.		
Claim Type (used only when uploading from the Dealer Bus. Sys.)		B
Main Labor Code	Description	Hours
1720-16-09-01	Campaign General x2	0.2
Causal Part	23894320	
SCC Authorization Code	S3611	
Expiration Date	August 31, 2024	

Parts Information

Part Numbers	Part Names	Quantity
23894320	Coolant Tank Cap	1



WARNING

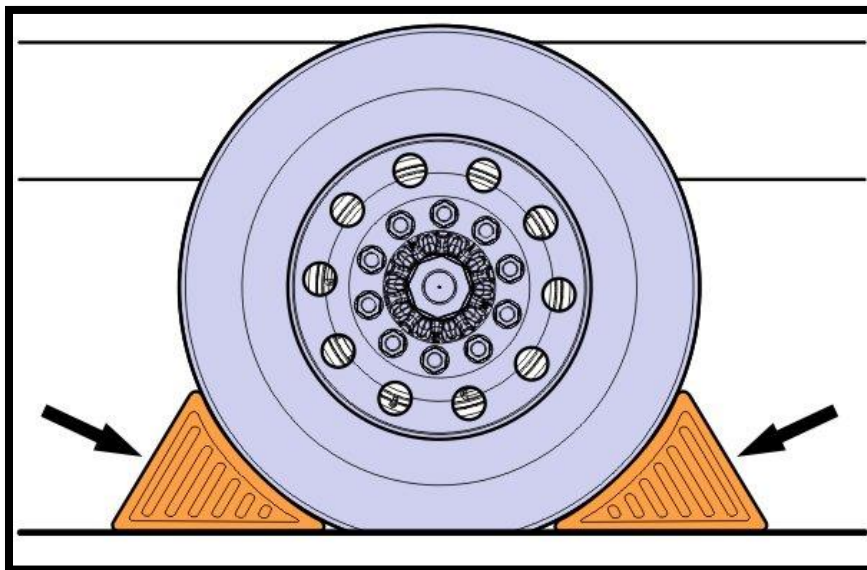
Risk of burn injuries.

The coolant may be hot.

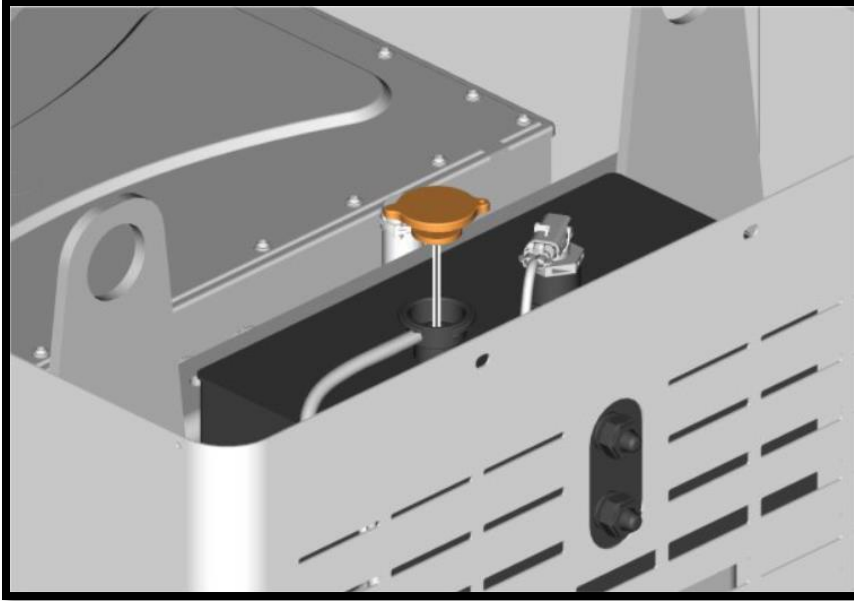
- ▶ The cooling system is under pressure and can reach the temperature sufficient to cause burns. Allow the coolant temperature to reach the safe level before starting the work.
- ▶ Remove the coolant tank cap carefully. Use appropriate protective equipment.

Repair Instructions

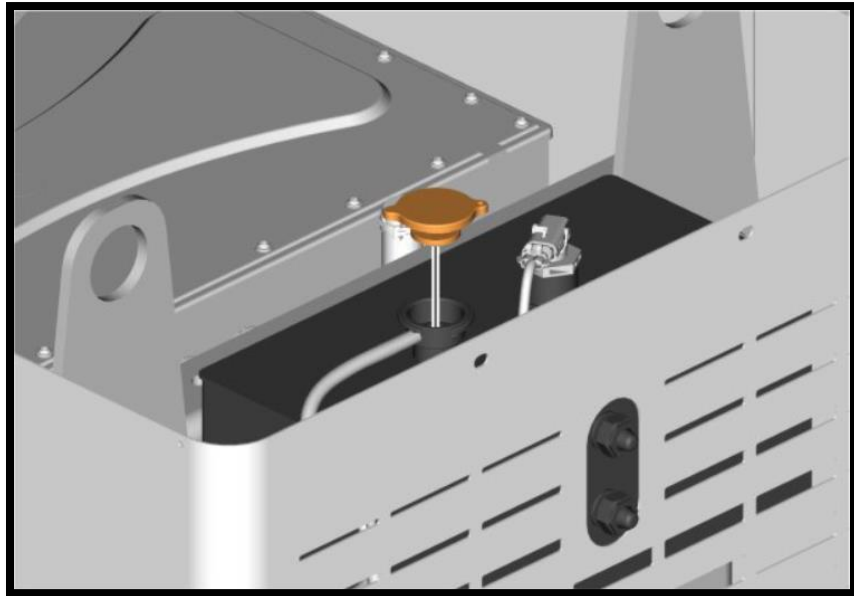
1. Park the vehicle on a level surface.
2. Apply the parking brake.
3. Place the gear selector in neutral.
4. Install wheel chocks.



5. Remove coolant tank cap.



6. Install new Coolant Tank Cap P/N 23894320.



7. Return truck to service.