



Technical Service Bulletin

SUBJECT:			No: TSB-23-42A-003
CHANGE TO SPLASH SHIELD REMOVAL/ INSTALLATION – SERVICE MANUAL REVISION			DATE: August 2023
			MODEL: Outlander Sport
CIRCULATE TO:	<input type="checkbox"/> GENERAL MANAGER	<input checked="" type="checkbox"/> PARTS MANAGER	<input checked="" type="checkbox"/> TECHNICIAN
<input checked="" type="checkbox"/> SERVICE ADVISOR	<input checked="" type="checkbox"/> SERVICE MANAGER	<input checked="" type="checkbox"/> WARRANTY PROCESSOR	<input type="checkbox"/> SALES MANAGER

PURPOSE

This TSB provides a change to the number of clips (reduced from 14 to 12) for the Splash Shield Removal and Installation section of the applicable Service Manual.

	Previous		New
Application timing of production	Up to early January 2023		From Middle January 2023
Repair method (for Left/Right side)	Clip x 14pcs, Bolt (& Weld nut) x 1pc	→	Clip x 12pcs, Bolt (& Weld nut) x 2pcs, Spring nut & Bolt x 1pc

AFFECTED VEHICLES

2023 Outlander Sport

AFFECTED SERVICE MANUAL

- 2023 Outlander Sport Service Manual

PROCEDURE

Please use the following chart as a guide to replace the indicated page in the affected Service Manual, Group 42, Body, Splash Shield.

Applicable manual	Pub. No.	Applicable title	Content
2023 OUTLANDER SPORT Service Manual	MSCD-017B-2023	BODY └ SPLASH SHIELD └ REMOVAL AND INSTALLATION	Attached Sheet 1



Copyright 2023, Mitsubishi Motors North America, Inc.

The information contained in this bulletin is subject to change. For the latest version of this document, go to the Mitsubishi Dealer Link, MEDIC, or the Mitsubishi Service Information website (www.mitsubishitechinfo.com).

SPLASH SHIELD

SPLASH SHIELD

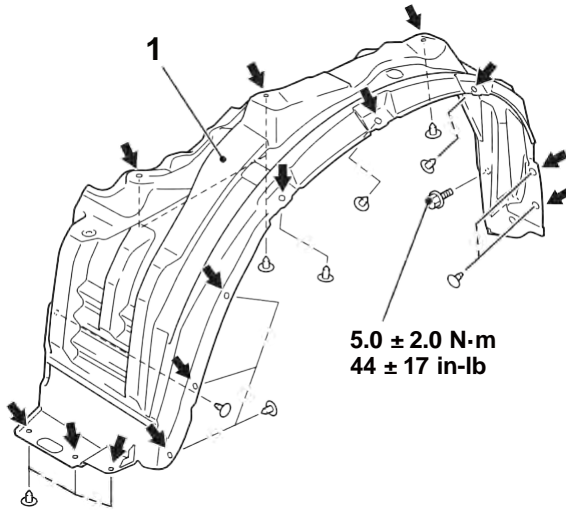
REMOVAL AND INSTALLATION

M14210097A0056

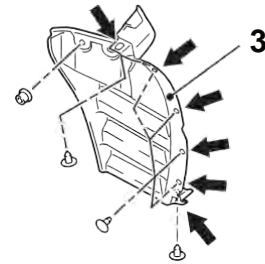
<Changed>

<UP TO MIDDLE OF JANUARY, 2023>

<Front>



<Rear>

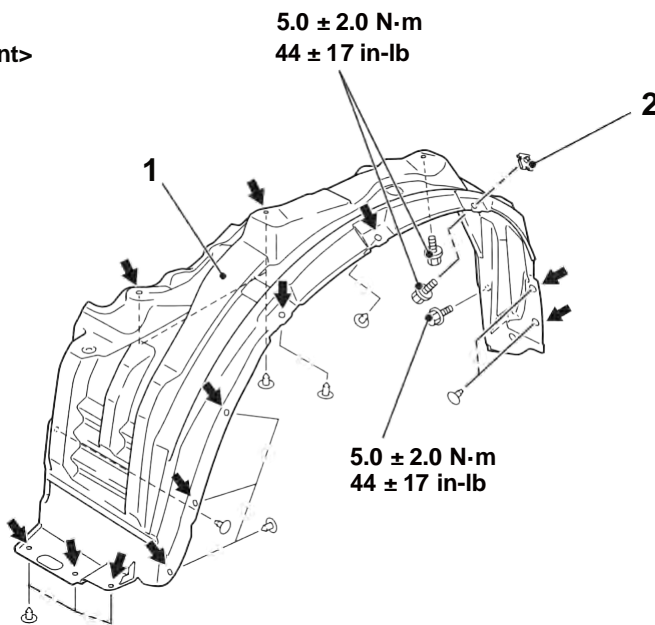


← : Clip positions

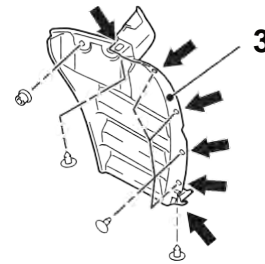
BCJ01872AB

<FROM MIDDLE OF JANUARY, 2023>

<Front>



<Rear>



← : Clip positions

BCJ01872AC

Front wheelhouse splash shield removal steps

1. Front wheelhouse splash shield
2. Spring nut

Rear wheelhouse splash shield removal

3. Rear wheelhouse splash shield