



Service Bulletin

Bulletin No.: 23-NA-011

Date: August, 2023

INFORMATION

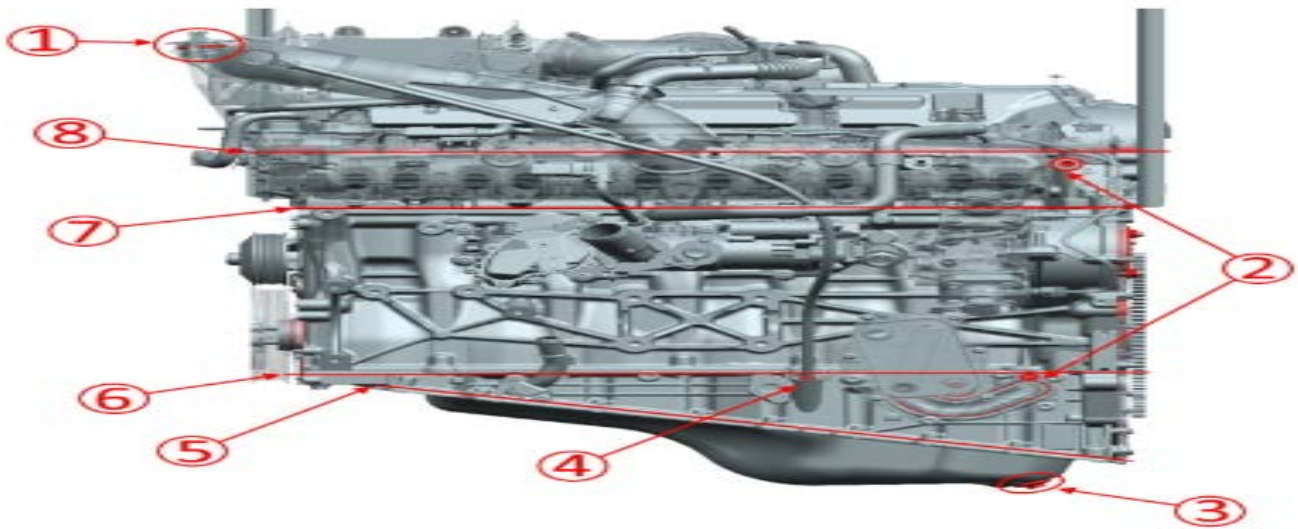
Subject: 3.0L Duramax Possible Oil Leak Path Information

Brand:	Model:	Model Year:		VIN:		Engine:	Transmission:
		from	to	from	to		
Cadillac	Escalade Models	2021	2024			LM2, LZ0	
Chevrolet	Silverado 1500	2020					
	Suburban	2021					
	Tahoe	2021					
GMC	Sierra 1500	2020					
	Yukon Models	2021					

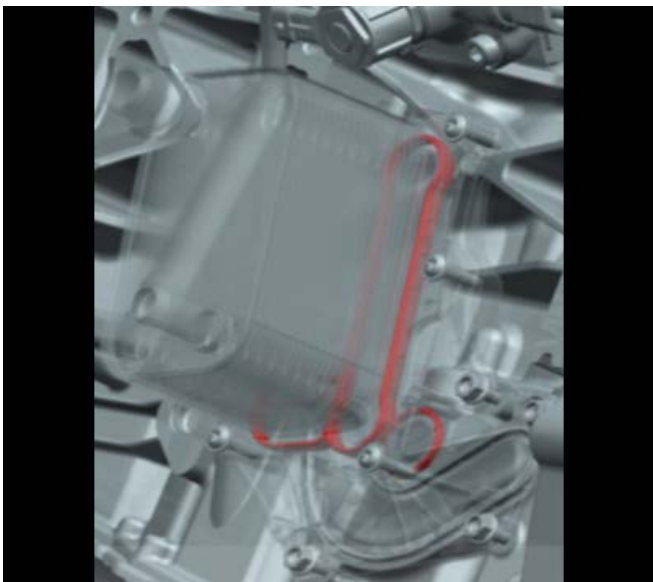
Involved Region or Country	North America
Condition	Some customers may comment on an oil leak from the engine.
Information	This document is to help identify where to look for an oil leak on the 3.0 Duramax engine. Please use the illustrations below as a guide of where to look for a potential oil leak. These illustrations are of a LZ0 engine; the LM2 would be similar.

Important: Service agents must comply with all International, Federal, State, Provincial, and/or Local laws applicable to the activities it performs under this bulletin, including but not limited to handling, deploying, preparing, classifying, packaging, marking, labeling, and shipping dangerous goods. In the event of a conflict between the procedures set forth in this bulletin and the laws that apply to your dealership, you must follow those applicable laws.

Possible Oil Leak Paths

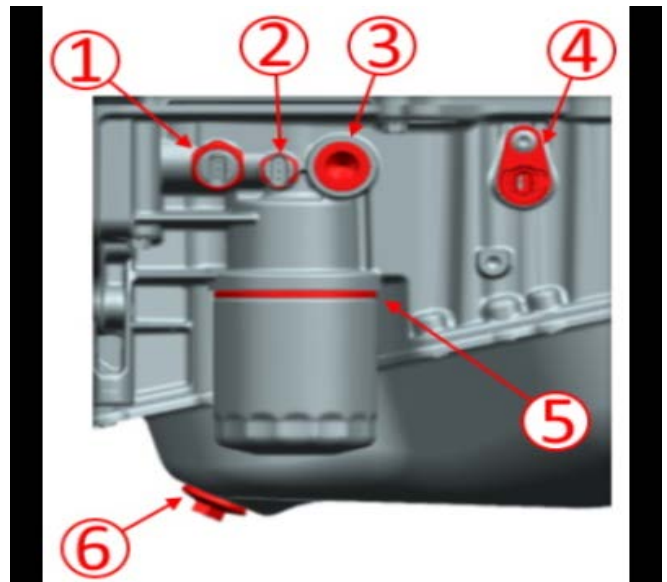


- 1. Oil Filler Neck Seal
- 2. Oil Galley Plugs
- 3. Oil Pan Drain Plug
- 4. Oil Indicator Tube Seal
- 5. Oil Pan Gasket
- 6. Engine Bed-Plate Gasket
- 7. Cylinder Head Gasket
- 8. Valve Rocker Arm Cover Gasket



6262643

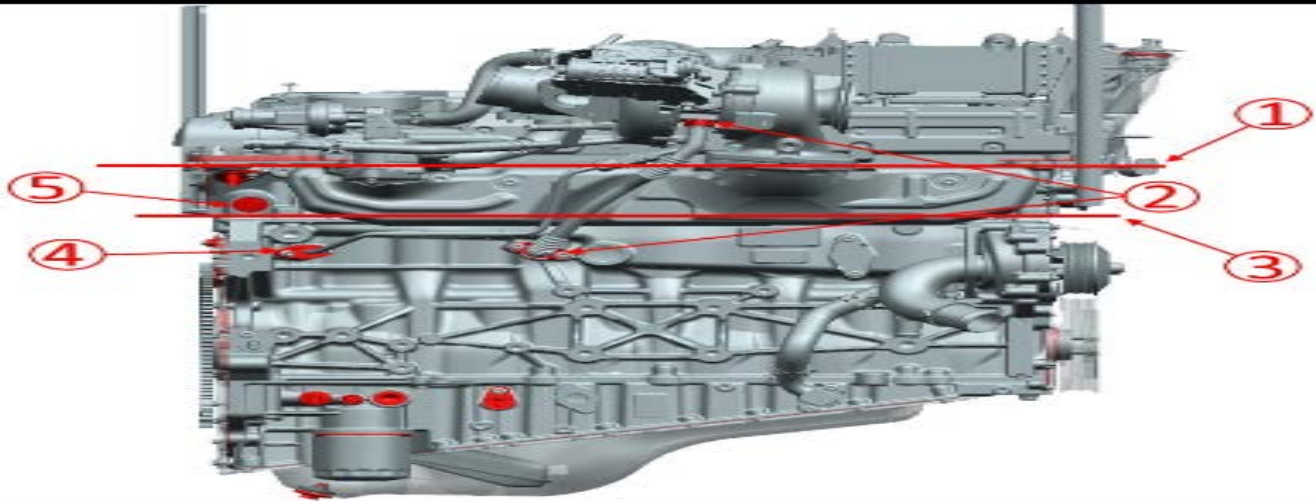
Ghost view of the Oil Cooler Cover to reveal the seal.



6262592

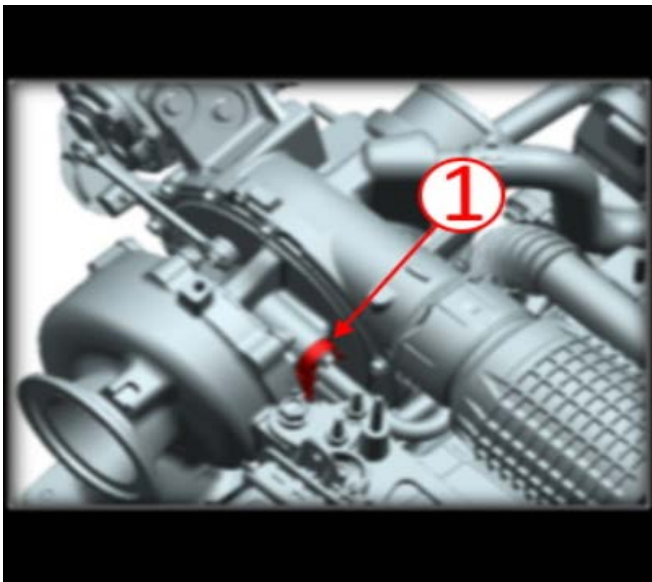
6262632

- 1. Oil Pressure Sensor
- 2. Oil Temperature Sensor
- 3. Oil Galley Plug
- 4. Oil Pump Solenoid Valve Connector
- 5. Oil Filter Seal
- 6. Oil Drain Plug



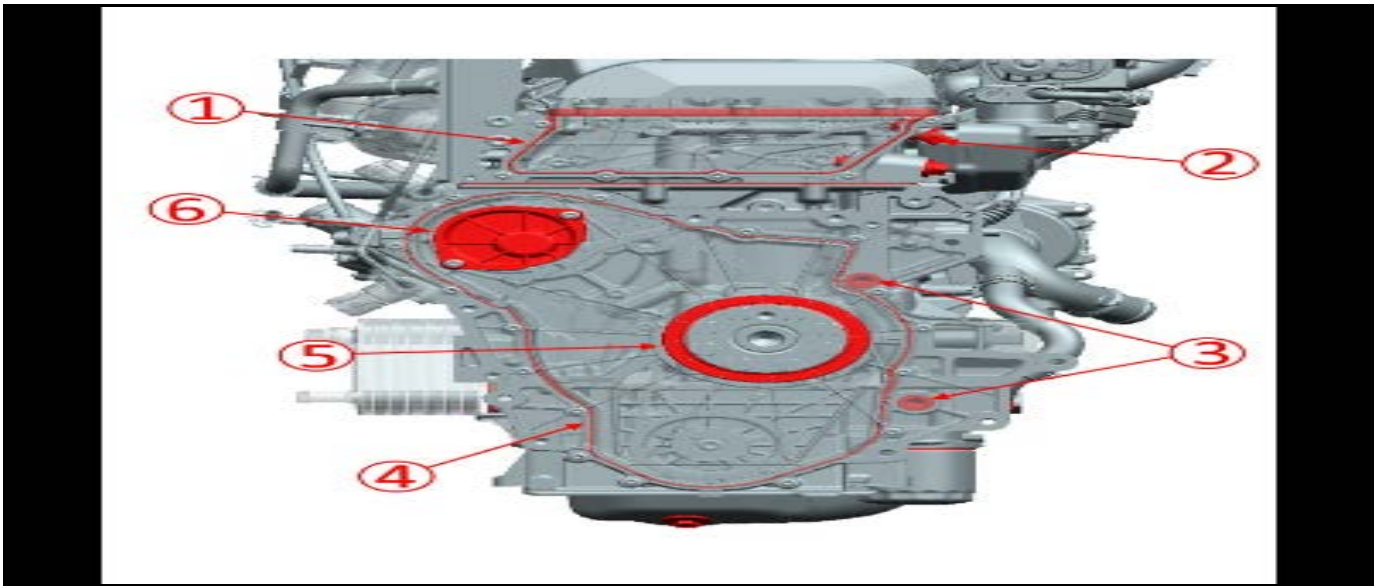
6262637

- 1. Valve Rocker Arm Cover Gasket
- 2. Upper and Lower Turbo Return Line Seals
- 3. Cylinder Head Gasket
- 4. Lower Turbo Feed Line Seal
- 5. Tensioner Timing Chain



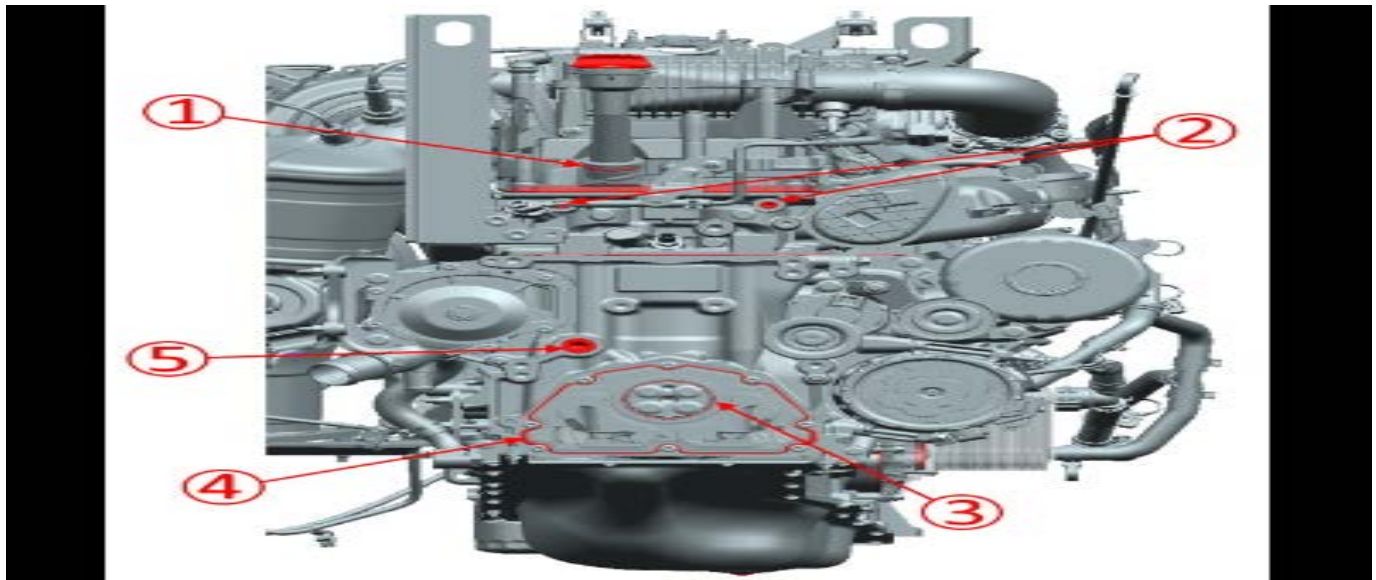
6262662

Upper Turbo Oil Supply Line Seal.



6262659

- 1. Cover Timing Chain
- 2. Camshaft Sensor
- 3. Oil Gallery Plugs
- 4. Timing Chain Cover Lower Seal
- 5. Rear Crankshaft Seal
- 6. Fuel Pump Cover



6262626

- 1. Oil Filler Neck Seal
- 2. Upper Oil Galley Plug
- 3. Front Crank Shaft Seal
- 4. Front Cover Seal
- 5. Lower Oil Gallery Plug

Version	2
Modified	Released February 06, 2023 Revised August 02, 2023 — Added the 2024 Model Year.

GM bulletins are intended for use by professional technicians, NOT a "do-it-yourselfer". They are written to inform these technicians of conditions that may occur on some vehicles, or to provide information that could assist in the proper service of a vehicle. Properly trained technicians have the equipment, tools, safety instructions, and know-how to do a job properly and safely. If a condition is described, DO NOT assume that the bulletin applies to your vehicle, or that your vehicle will have that condition. See your GM dealer for information on whether your vehicle may benefit from the information.



WE SUPPORT VOLUNTARY
TECHNICIAN
CERTIFICATION