

**Volvo Car USA LLC****Technical Journal**

Technical Journal Title		Ref. No.	
Decor lightning, buzzing noise		TJ 36534.3.1	
Issuer (Dept.)		Issue Date	Status Date
Technical Service		6/1/23	6/2/23
Car Market	Partner	Function Group	
United States and Canada	3 US 7510 Volvo Car USA	3540	
Function Description		Page	
Lighting, interior		Page 1 of 18	

Attachment

File Name	File Size
Deco panels.pdf	0.0926 MB
TJI-526040-1_1_1_en-US.pdf	1.7936 MB

Rows beginning with * are modified

Note! If using a printed copy of this Technical Journal, first check for the latest online version.

DESCRIPTION:

* Attachment with work method updated.

* Chassis Range and Structure Week under Vehicle type updated.

If a customer complains of a buzzing noise from a front door or from the dashboard, see Service.

CSC Customer Symptom Codes

Code	Description
G8	Doors/Squeak/rattle/Front side door

DTC Diagnostic Trouble Codes**Vehicle Type**

Type	Eng	Eng Desc	Sales	Body	Gear	Steer	Model Year	Plant	Chassis range	Struc Week Range
536							2023-2023		0910129-1069381	202222-202309
539							2022-2023		0000256-0058449	202140-202309

SERVICE:

Some customers may hear a buzzing noise when the ambient light is on. The surroundings have to be quiet, engine off, etc. It can be the backlit deco panels, called Typography, on cars with VDN-code NC11. The noise comes from the circuit board on each panel. Replace all five panels in the car (in front doors and three in the dashboard). Replace only if customer complains. See attachment "TJI-526040-1_1_1_xx-XX.pdf"

Note: The issue can be confirmed/identified as being from the ambient interior lighting by turning off the ambient lighting in the CSD and confirming the noise is no longer present.

Part name	New PN
Lighting Driver Side Outer LHD	32341614
Lighting Driver Side LHD	32341615
Lighting Passenger LHD	32341616
Lighting Door LH LHD+RHD	32341620
Lighting Door RH LHD+RHD	32341621

Warranty claim info:

To get warranty claim accepted for a job described in this TJ, please use the attached VST OP number.

Note: TJ number must be stated in repair order text.

VST Operation Number

VST Operation Number	Description
98772-2 (0.7)	Decor panels change acc. TJ

VEHICLE REPORT:

Yes, please submit a Vehicle Report if the service solution described in this TJ has no effect. Use concern area "Vehicle Report" and sub concern area "Support not needed", use function group 3540.

To view TJ attachments continue to next page. This TJ has two attachments.





Volvo Car Customer Service

TJ Instruction VCC-526040-1

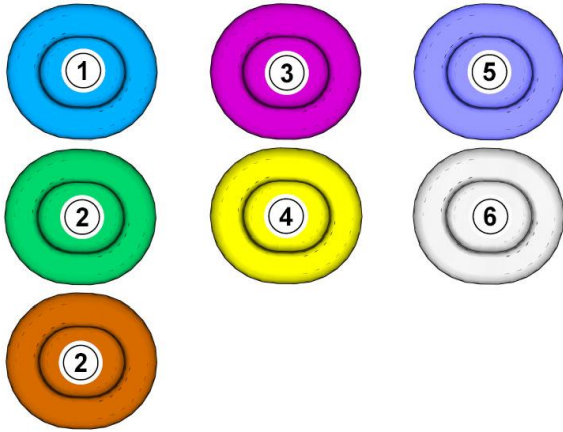
Title	Decor panel	Page	1 (15)
Action	Replacement	Operation number:	98772-2

Issue	Date	Reason
1	2023-03	First issue

Affected vehicles

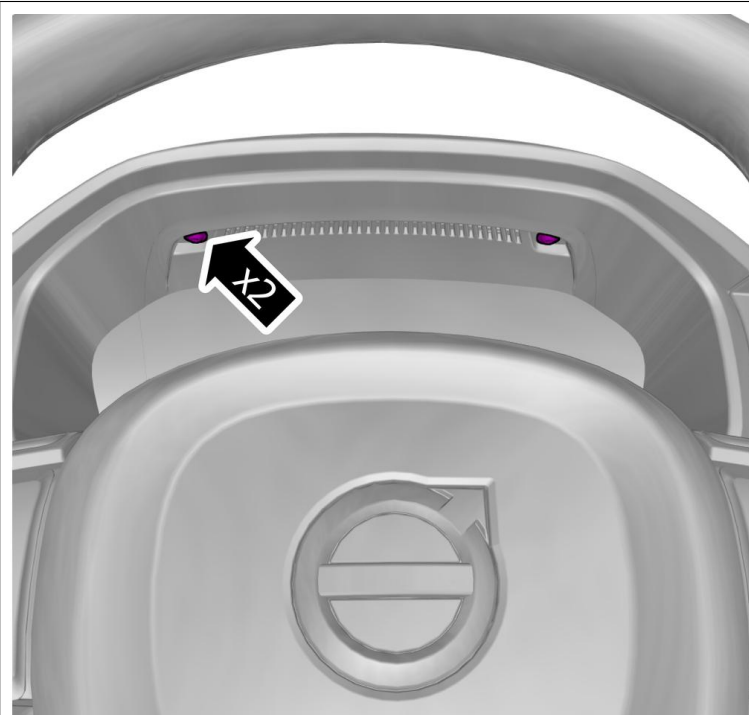
Model year	Model	Engine
2022, 2023, 2024	C40	E400V12, V16, V2, V6, V8
2021, 2022, 2023, 2024	XC40	E400V12, V16, V2, V6, V8

Color symbols

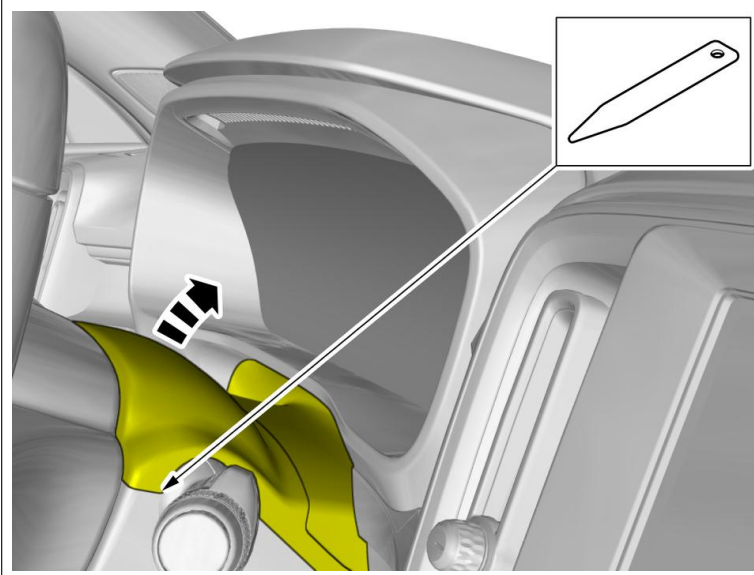


Note! This colour chart displays (in colour print and electronic version) the importance of the different colours used in the images of the method steps.

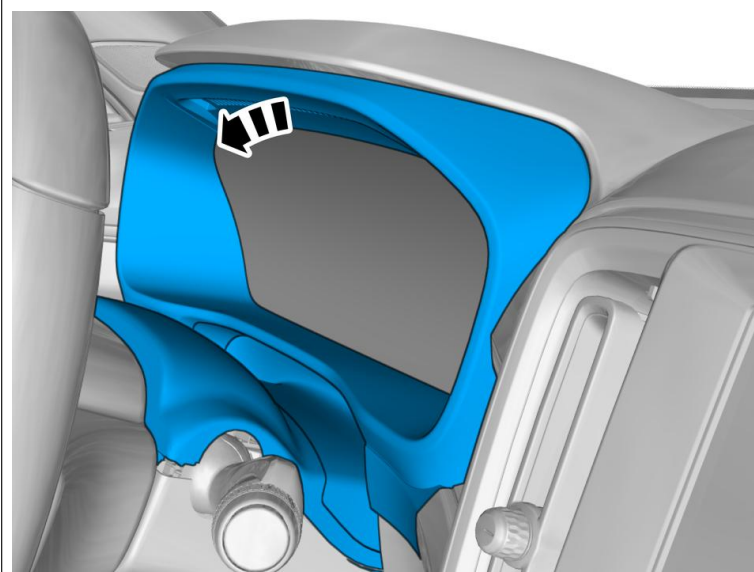
- 1 . Used for focused component, the component with which you will do something.
- 2 . Used as extra colors when you need to show or differentiate additional parts.
- 3 . Used for attachments that are to be removed/installed. May be screws, clips, connectors, etc.
- 4 . Used when the component is not fully removed from the vehicle but only hung to the side.
- 5 . Used for standard tools and special tools.
- 6 . Used as background color for vehicle components.



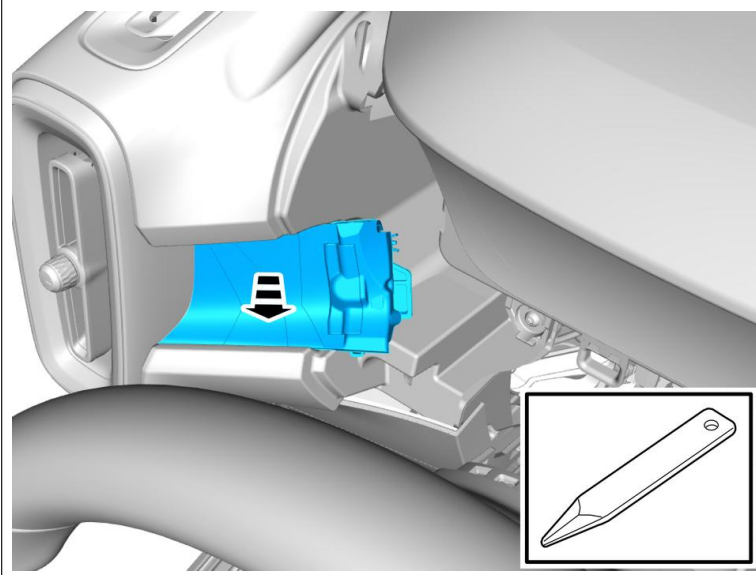
Remove the screws.



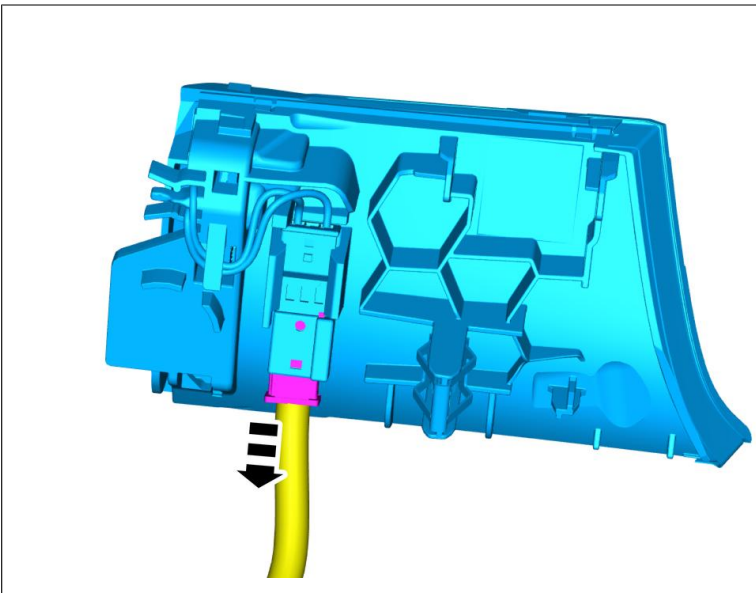
Remove the part carefully



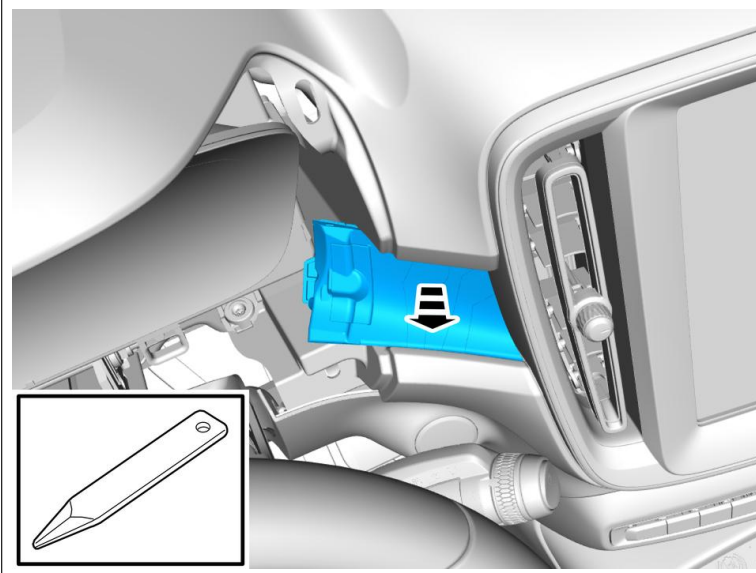
Remove the marked part.



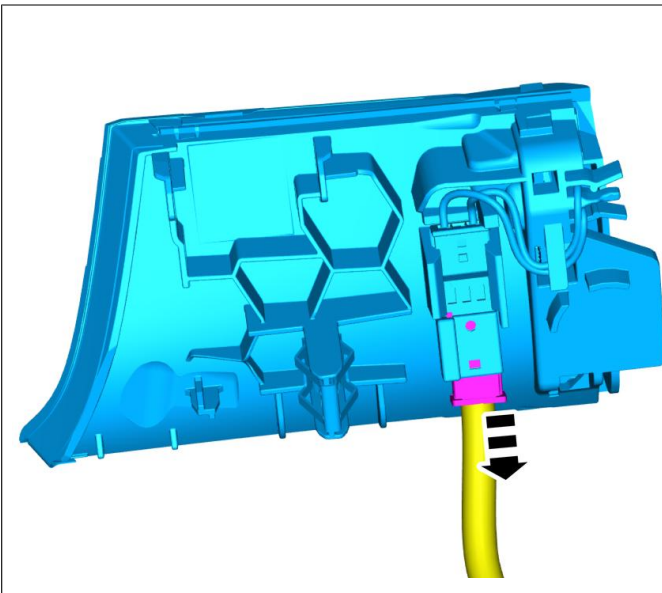
Loosen the marked detail.



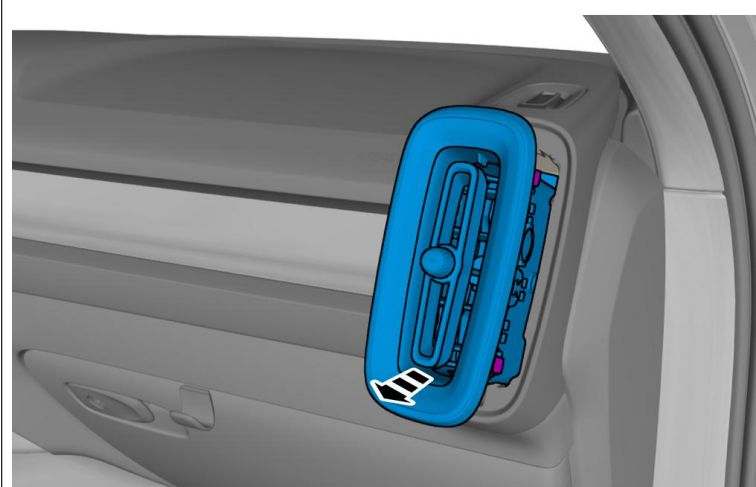
Disconnect the connector.



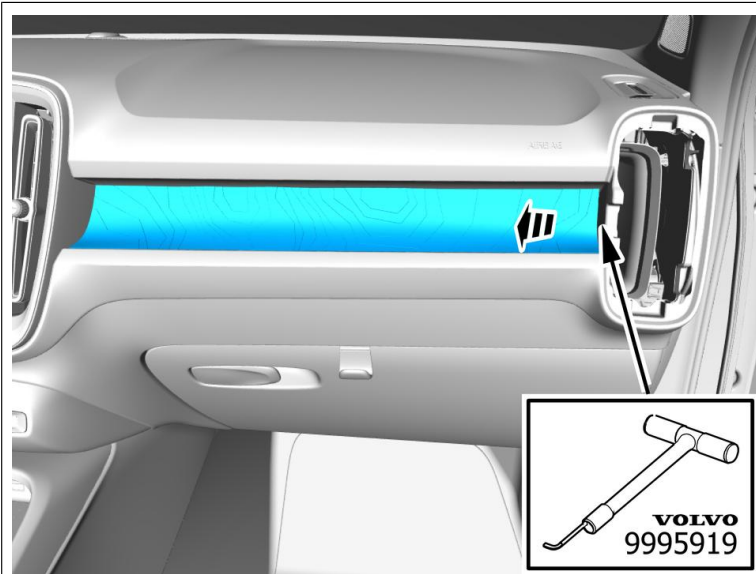
Loosen the marked detail.



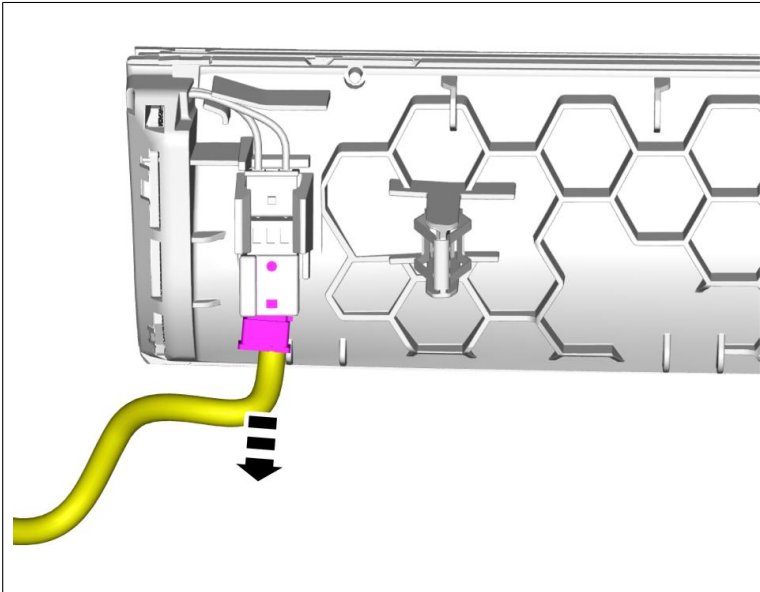
Disconnect the connector.



Remove the part carefully
Remove the marked part.

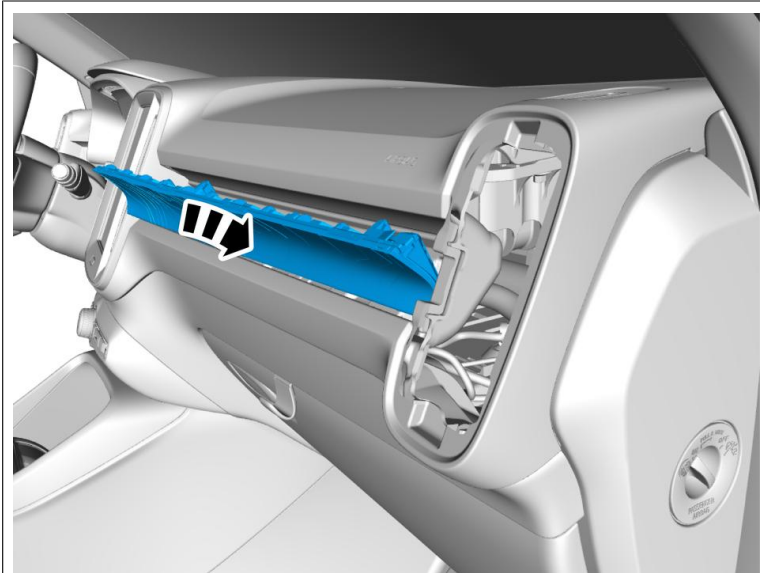


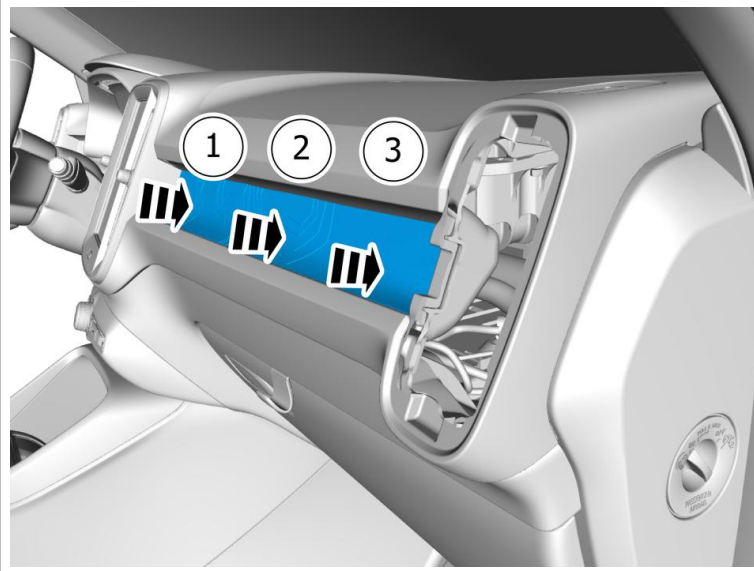
Loosen the marked detail.



Disconnect the connector.

Installation

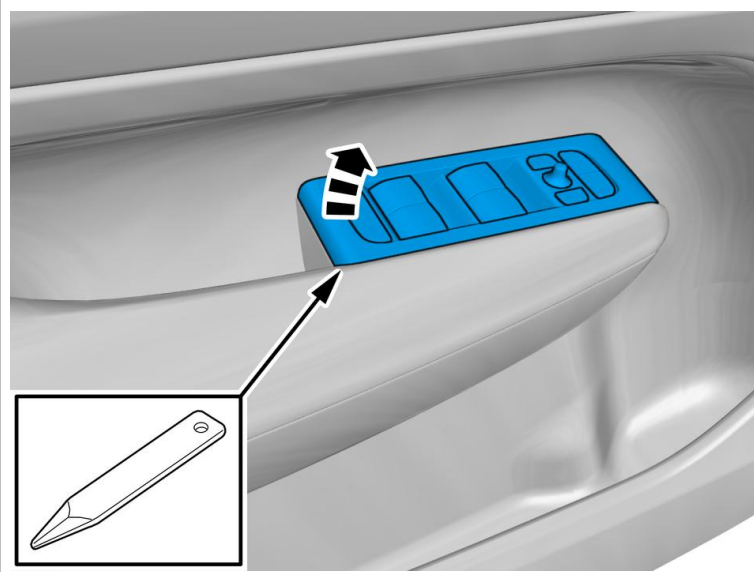




Press the marked component.

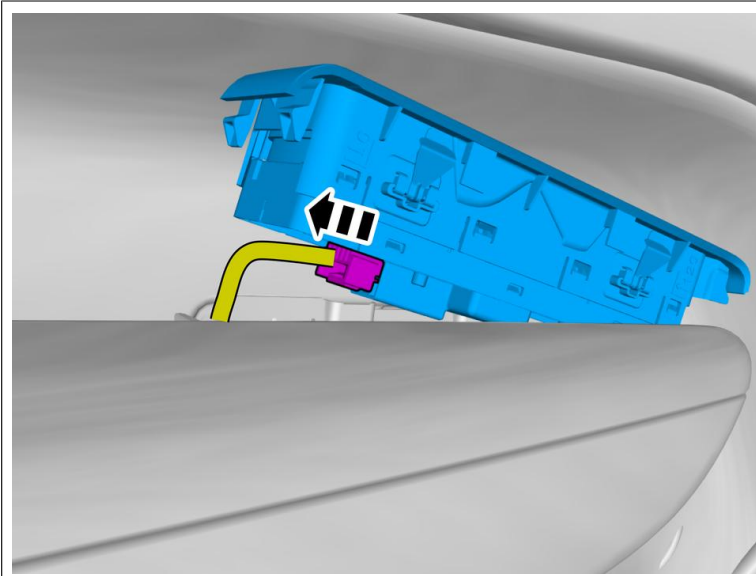
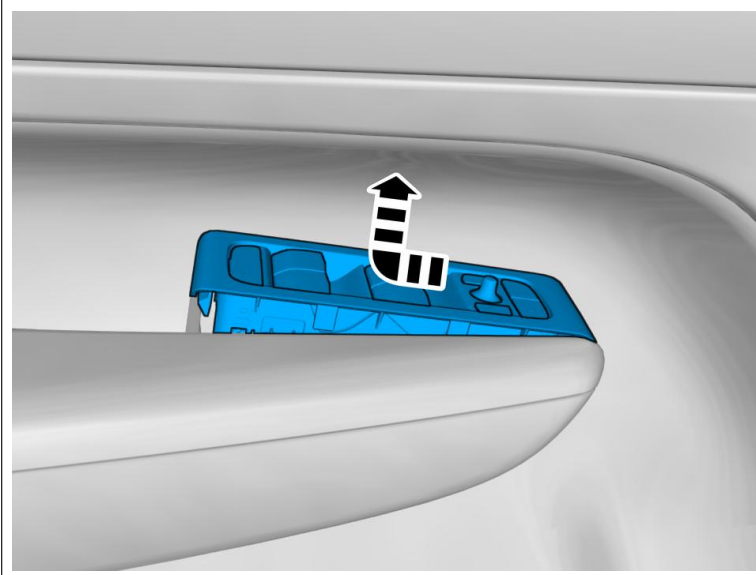
Applies to front door

On both sides.

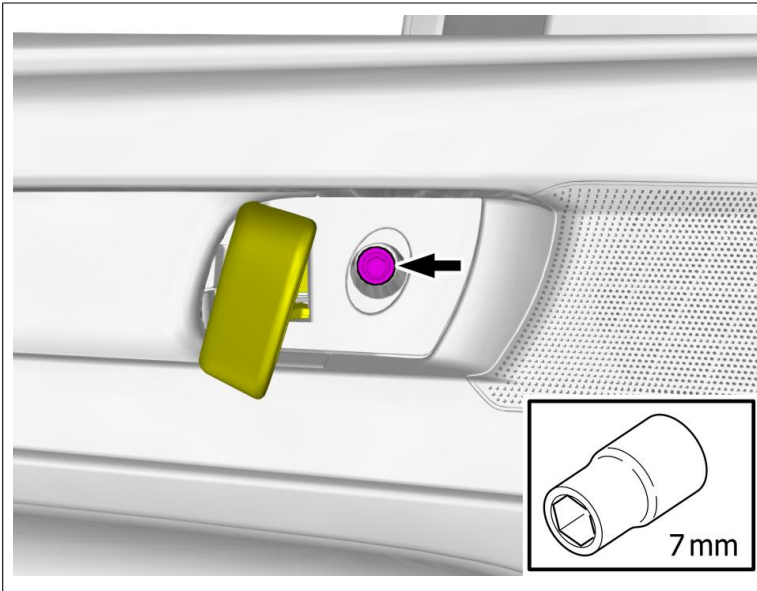
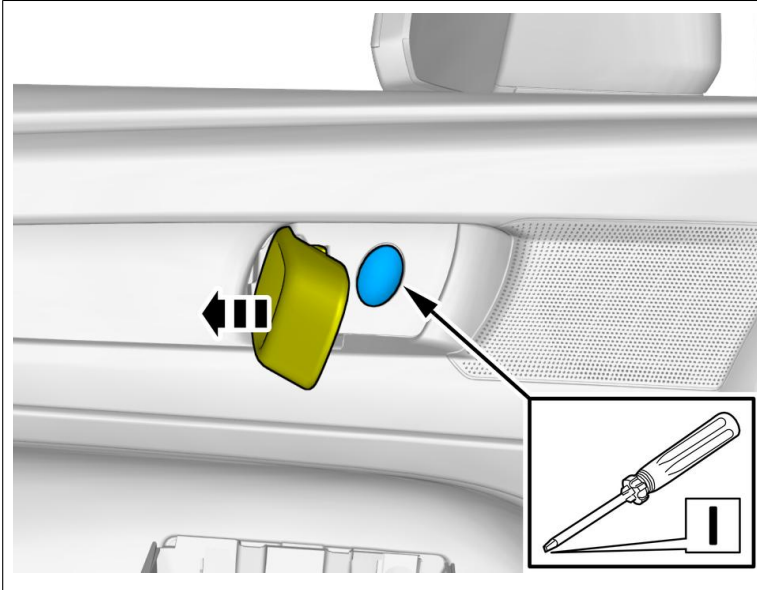


Caution! Make sure that the sharp edge does not damage the surrounding component.

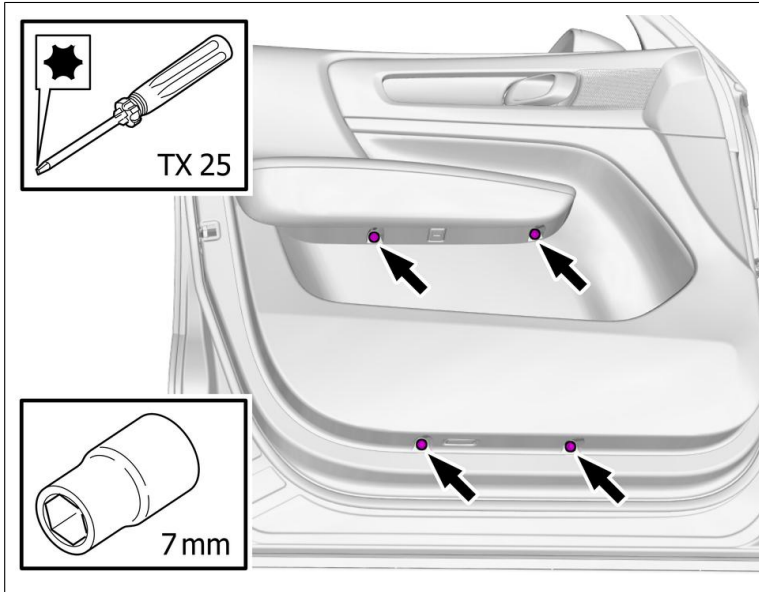
Remove the part carefully



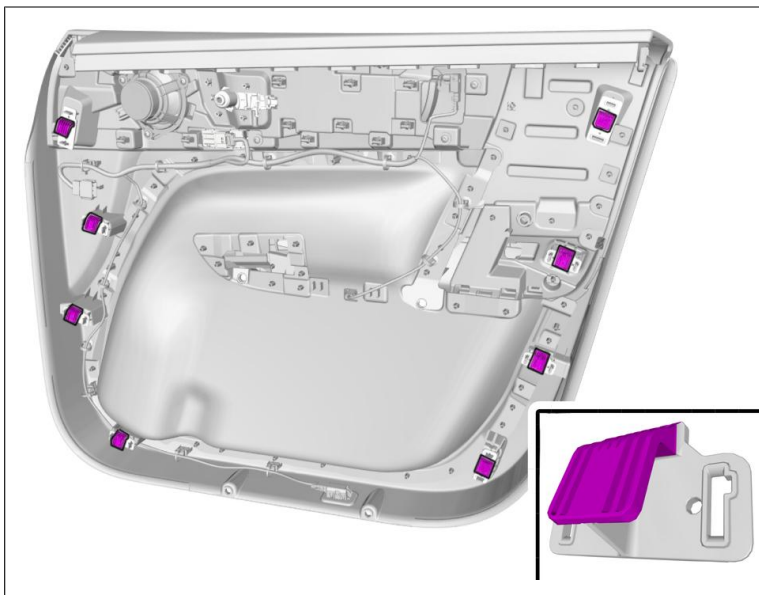
Disconnect the connector.



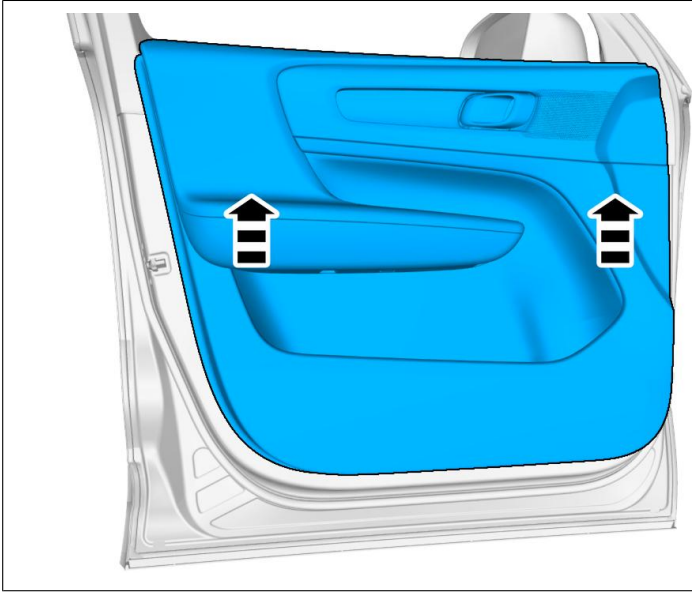
Remove the screw.



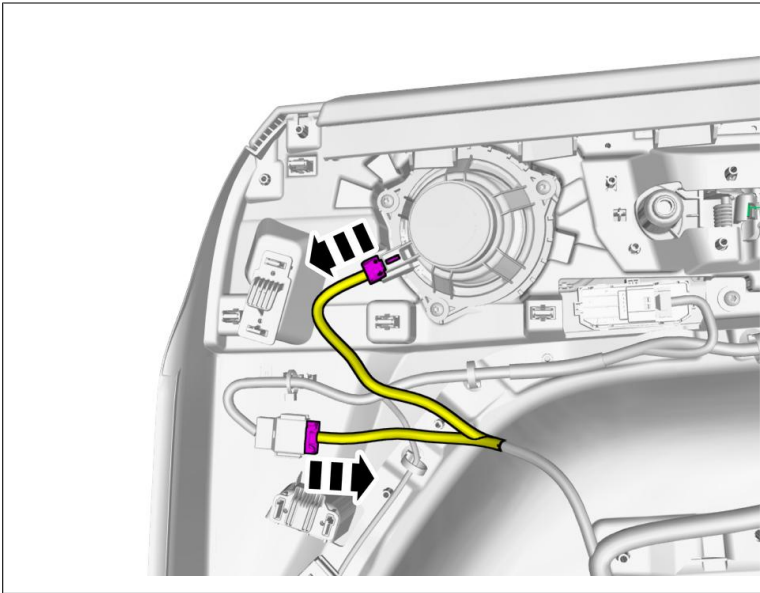
Remove the screws.



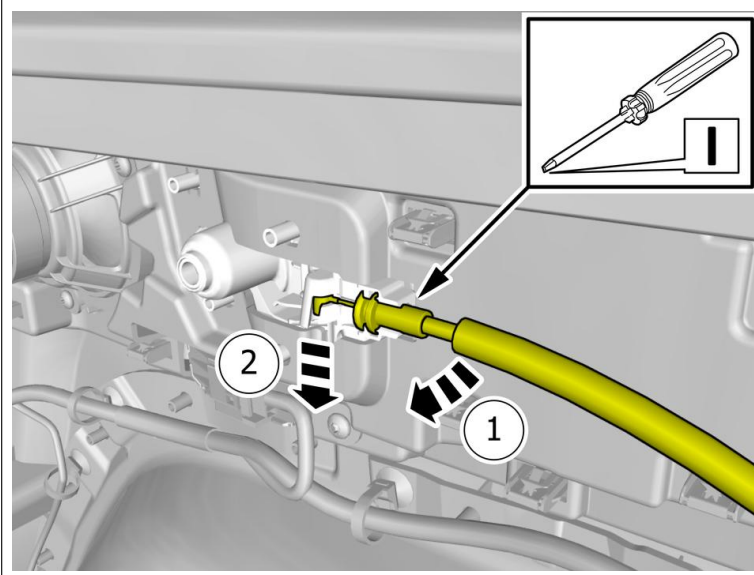
Note! The graphic shows the back of the component before removal.



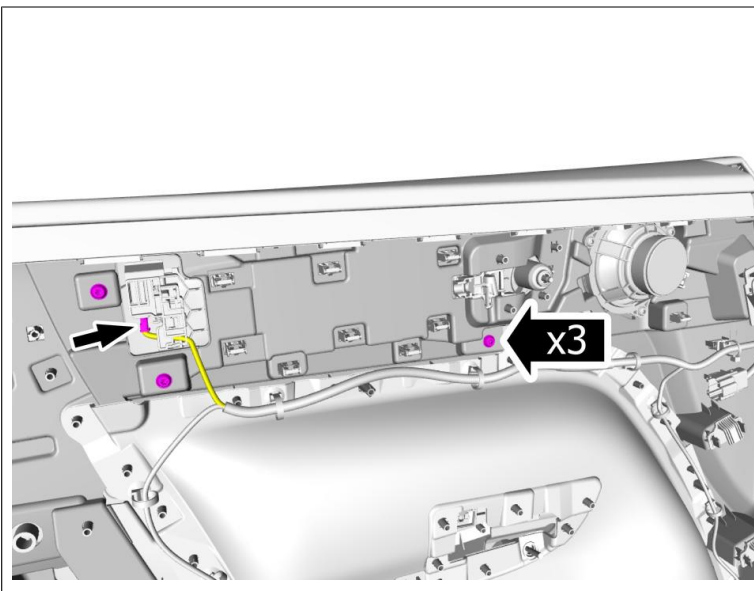
Remove the marked part.



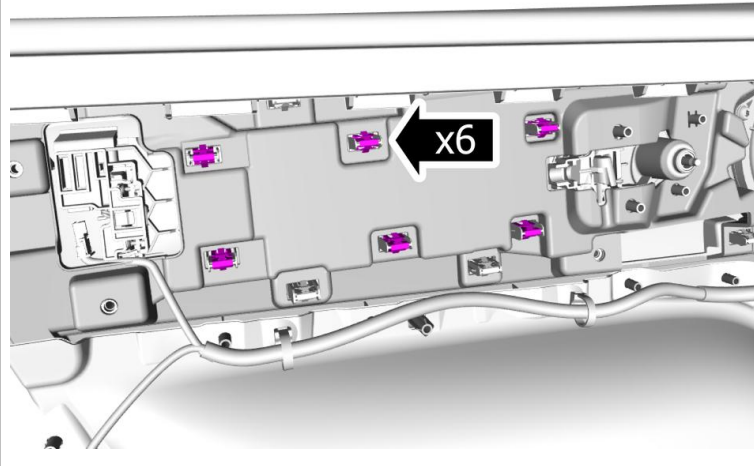
Disconnect the connectors.



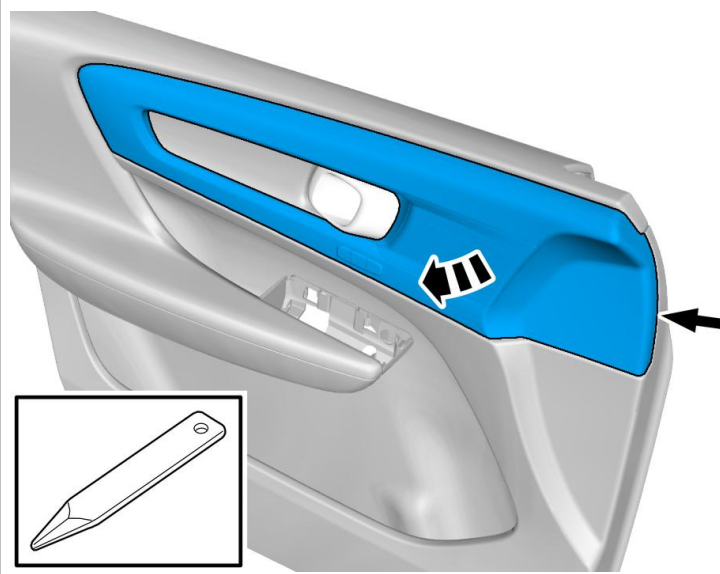
Disconnect the connector.
Loosen the screws.

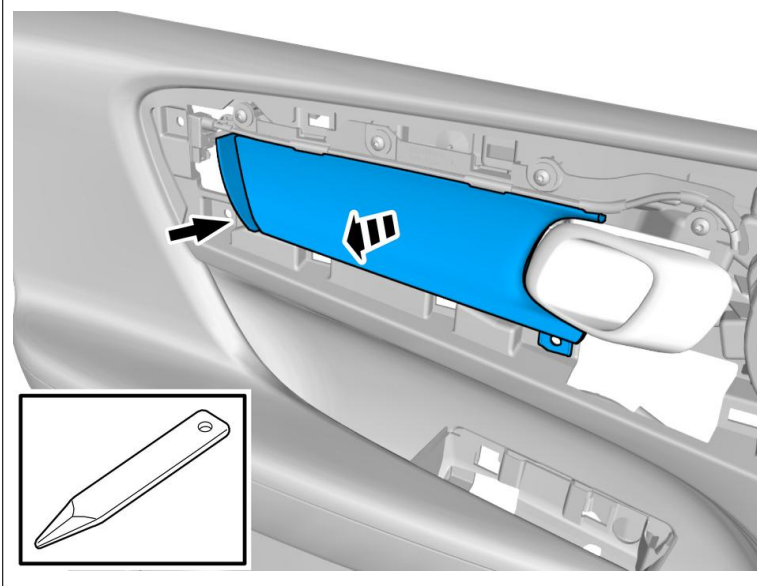


Note! The graphic shows the back of the component before removal.



Remove the marked part.





Remove the marked part.

Installation

To install, reverse the removal procedure.