



# Technical Service Bulletin

SUBJECT:			No: <b>TSB-23-55-005</b>
<b>EV WATER PTC HEATER INSTALLATION- SERVICE MANUAL REVISION</b>			DATE: <b>July 2023</b>
			MODEL: <b>i-MiEV</b>
<b>CIRCULATE TO:</b>	<input type="checkbox"/> GENERAL MANAGER	<input checked="" type="checkbox"/> PARTS MANAGER	<input checked="" type="checkbox"/> TECHNICIAN
<input checked="" type="checkbox"/> SERVICE ADVISOR	<input checked="" type="checkbox"/> SERVICE MANAGER	<input checked="" type="checkbox"/> WARRANTY PROCESSOR	<input type="checkbox"/> SALES MANAGER

## PURPOSE

This TSB provides addition to the description of the installation procedure for the EV Water PTC Heater installation due to changes in the specification of service parts.

## AFFECTED VEHICLES

2012-2017 i-MiEV

## AFFECTED SERVICE MANUAL

- 2012-2017 i-MiEV

## PROCEDURE

Please use the following chart as a guide to replace the indicated pages in the affected Service Manuals, Group 55, Heater Removal and Installation.

Applicable manual	Pub. No.	Applicable title (Info-ID)	Contents
2012 i-MiEV Service manual	MSCD-018B-2012	HEATER REMOVAL AND INSTALLATION (M551-00-790-01000-01)	Attached sheet 4, 5
2013 i-MiEV Service manual	MSCD-018B-2013		
2014 i-MiEV Service manual	MSCD-018B-2014		
2016 i-MiEV Service manual	MSCD-018B-2016		
2017 i-MiEV Service manual	MSCD-018B-2016		



Copyright 2023, Mitsubishi Motors North America, Inc.

The information contained in this bulletin is subject to change. For the latest version of this document, go to the Mitsubishi Dealer Link, MEDIC, or the Mitsubishi Service Information website ([www.mitsubishitechinfo.com](http://www.mitsubishitechinfo.com)).

# HEATER

## REMOVAL AND INSTALLATION

M1551007900010

**⚠ DANGER**

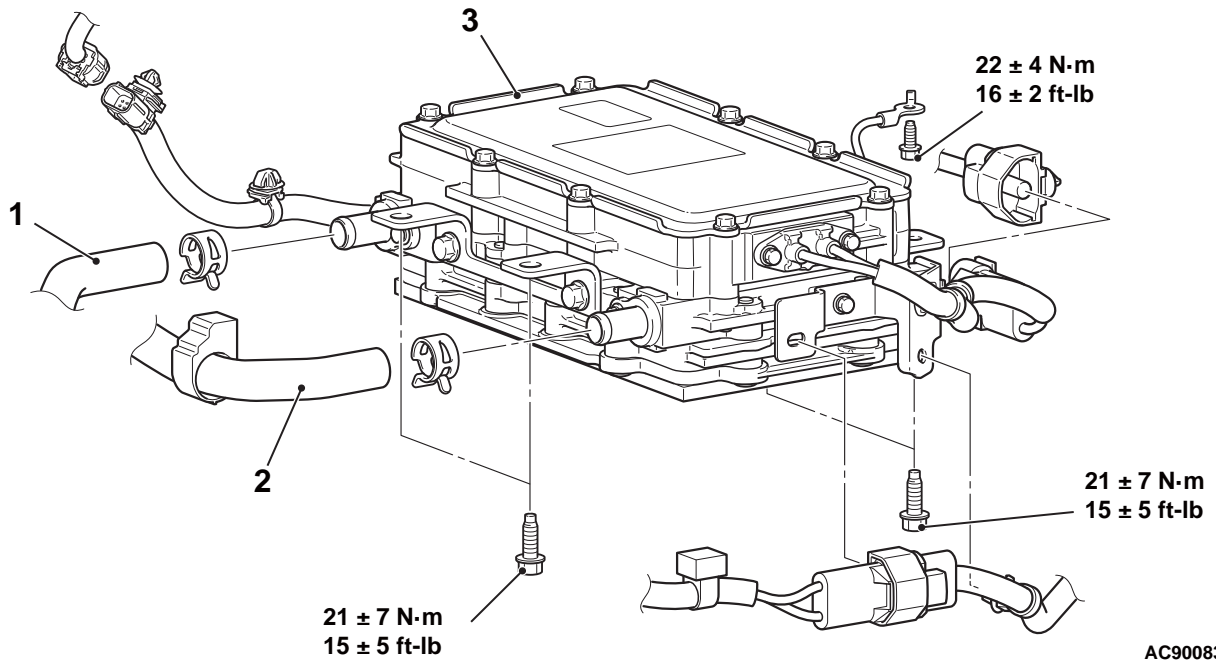
*When servicing the high voltage system parts, always shut off the high voltage by removing the service plug (Refer to GROUP 00 - Precautions on How to Use The High-voltage Vehicle ).*

**Pre-removal operation**

- Front floor cover A (Refer to GROUP 51 - Under Cover .)
- Draining water heater fluid (Refer to Drain and Fill Up The Water Heater Fluid.)

**Post-installation operation**

- Filling up water heater fluid (Refer to Drain and Fill Up The Water Heater Fluid.)
- Front floor cover A (Refer to GROUP 51 - Under Cover .)



- Removal steps**
1. Heater piping hose A connection

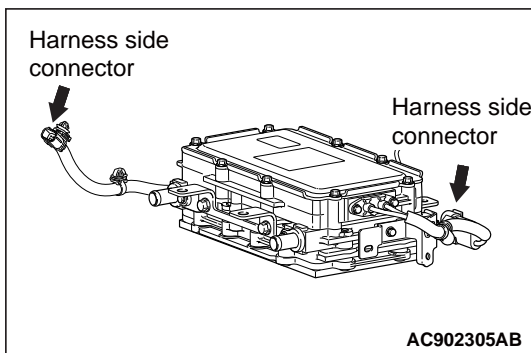
- Removal steps**
2. Heater piping hose E connection
  3. EV water PTC heater

<<A>> >>A<<

## REMOVAL SERVICE POINT

### <<A>> EV WATER PTC HEATER REMOVAL

When removing the heater, do not disconnect the heater side connector, but disconnect the harness-side connector.



Attached sheet 5 <Added>

**INSTALLATION SERVICE POINT****>>A<< EV WATER PTC HEATER INSTALLATION**

Align the ground line to the position shown in the figure, and install it to the front floor crossmember front by tightening it to the specified torque.

**Tightening torque:  $22 \pm 4$  N·m ( $16 \pm 2$  ft-lb)**

**⚠ CAUTION**

**Do not fix the earth line while it is being pulled.**

