

Diesel Exhaust Fluid Tank Breather Replacement

Service Category: Service Department

Section: Function Group 2

Technician Skill Level A

Market North America

Applicability

VOLVO

Years	Models
2024	VN

Introduction

Volvo Trucks has determined that certain VN model trucks were built with defective DEF (Diesel Exhaust Fluid) Tank Breathers. Replacement of the defective DEF tank breather is needed to avoid further damage to the Aftertreatment system.

Production Change Information

This bulletin applies to vehicles built within the specified production changes below.

Brand	Engine	Emission Level	Starting Build Date	Ending Build Date
Volvo	D13	EM-USA21	15-May-2023	15-June-2023

Warranty Information

This repair may be eligible for reimbursement if a product failure was experienced within time and mileage limits of the applicable Warranty coverage. Reimbursement is obtained via the normal claim handling process.		
Claim Type (used only when uploading from the Dealer Bus. Sys.)		B
Main Labor Code	Description	Hours
1720-16-09-01	Campaign General x5	0.5
Causal Part	22492706	
SCC Authorization Code	S3512	
Expiration Date	July 31, 2024	

DEF Tank Breather Replacement

Parts Information

Part Numbers	Part Names	Quantity
22492706	DEF Tank Breather	1

Required Tools & Equipment

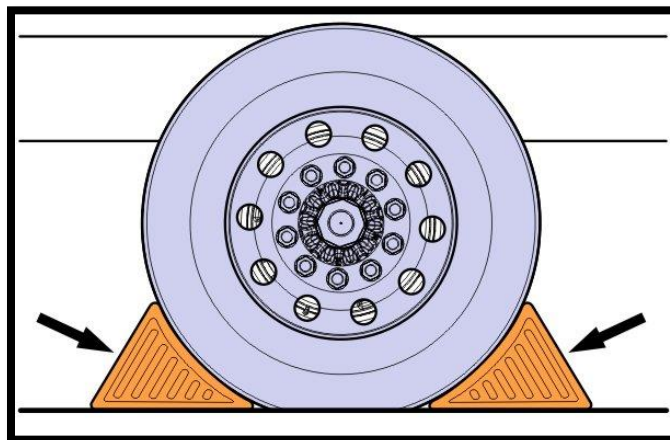
- N/A

Calibration Information

- None required

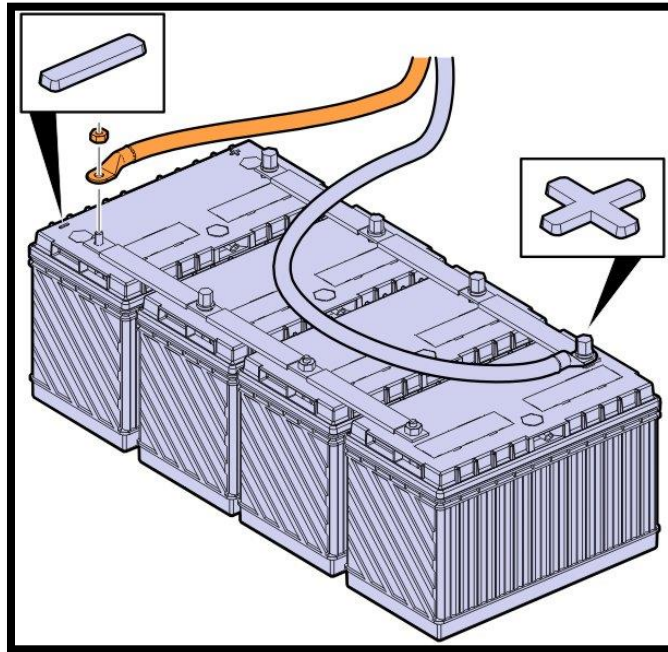
Repair Procedure

1. Park the vehicle on a level surface.
2. Apply the parking brake.
3. Place the gear selector in neutral.
4. Install the wheel chocks.

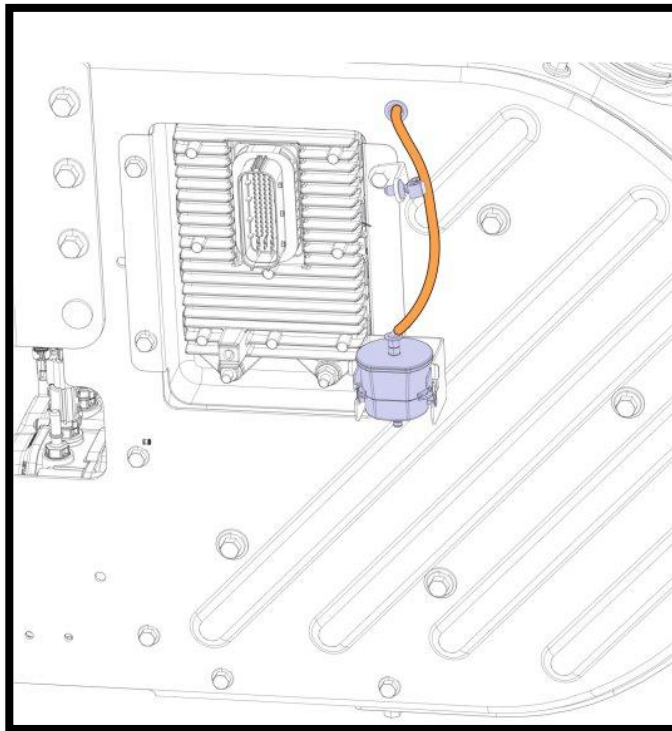


DEF Tank Breather Replacement

5. Disconnect the cable from the negative terminal.

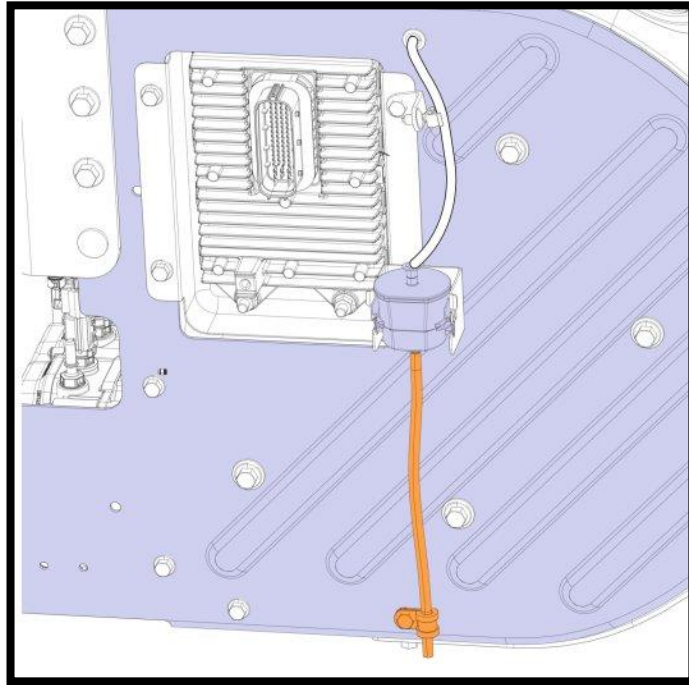


6. Remove the top breather line from the DEF tank breather.

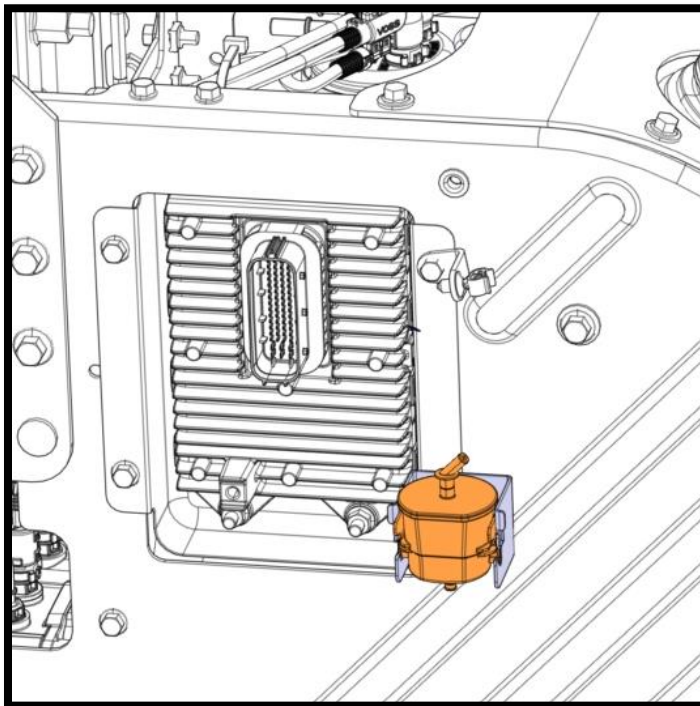


DEF Tank Breather Replacement

7. Remove the bottom line from the DEF tank breather.

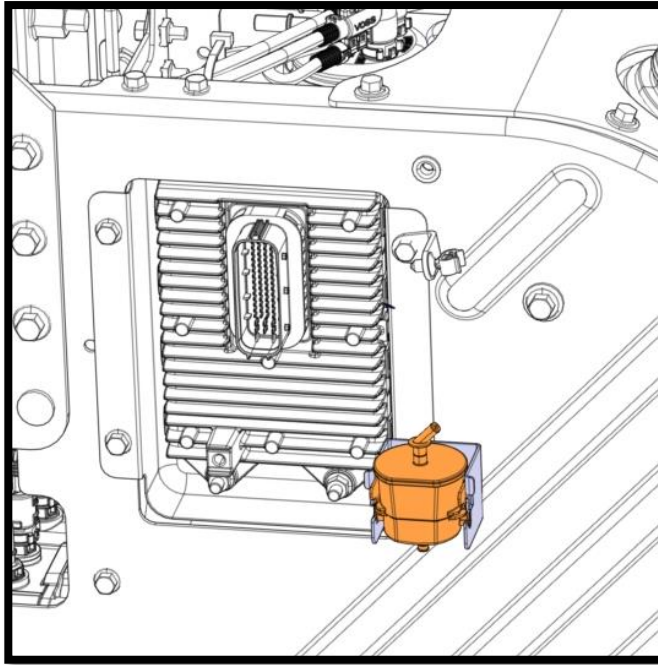


8. Remove DEF tank breather.

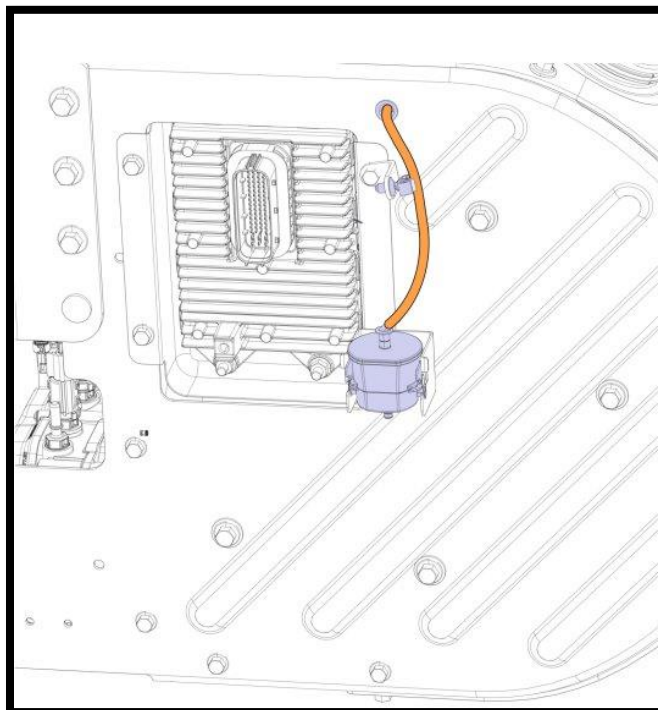


DEF Tank Breather Replacement

9. Install new DEF tank breather.

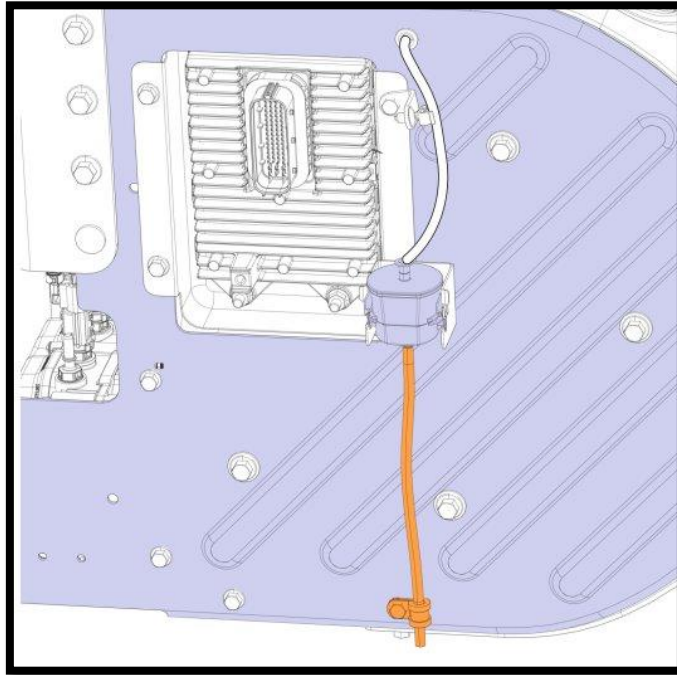


10. Connect top breather line.

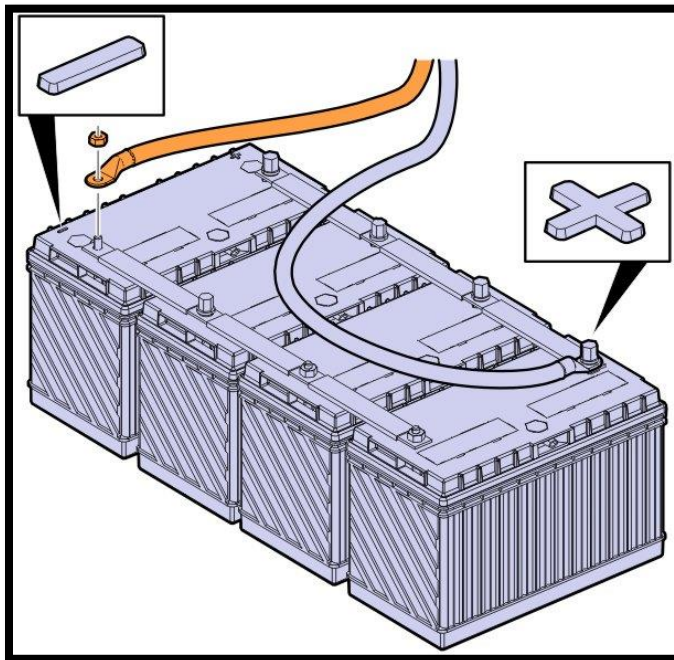


DEF Tank Breather Replacement

11. Connect bottom breather line.

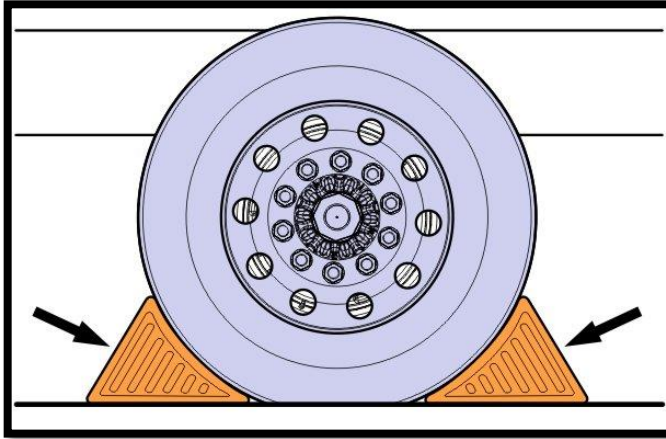


12. Connect the cable to the negative terminal.



DEF Tank Breather Replacement

13. Remove wheels chocks.



14. Return truck to service.