

# Hood Cable Breaking or Binding

V-821-002

(July 2022)

## Valid for

All Volvo Trucks built between February 5, 2018, and February 28, 2022

## Case description

Some Volvo trucks may experience hood cable binding or breakage due to routing under the dash. If the above condition is found replace the damaged cable(s) as necessary using the following routing and securing instructions provided below.

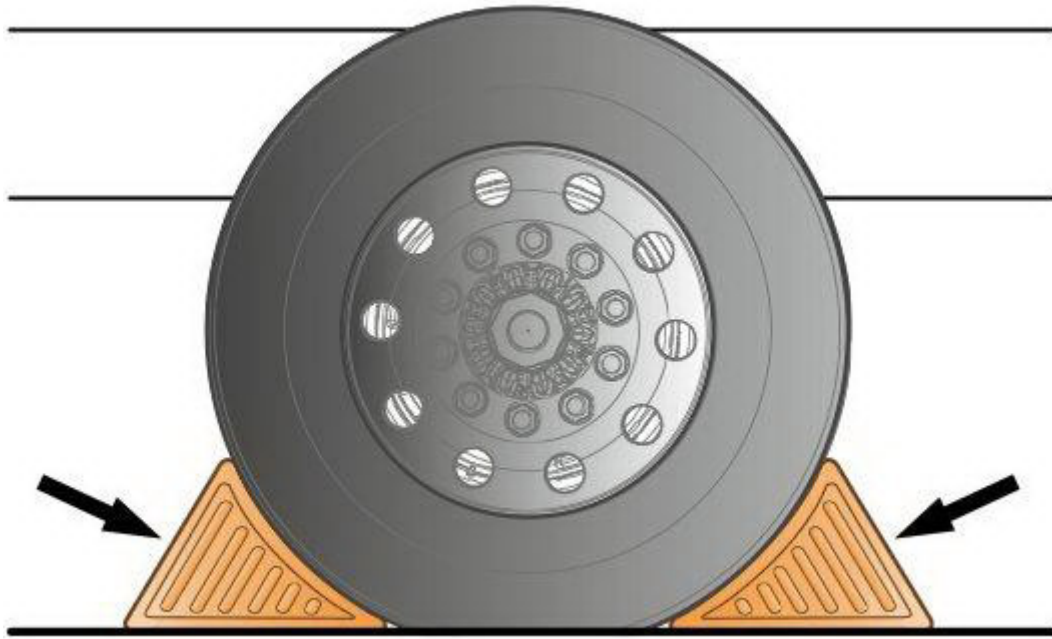
## Parts

Item	Part description	Part Number	Quantity
1	L Bracket	965558	1
2	Cable Tie	8079360	1
3	Cable Tie	25375554	1
4	Hood Cable (Right)	See Impact (VIN)	As Necessary
5	Hood Cable (Left)	See Impact (VIN)	As Necessary

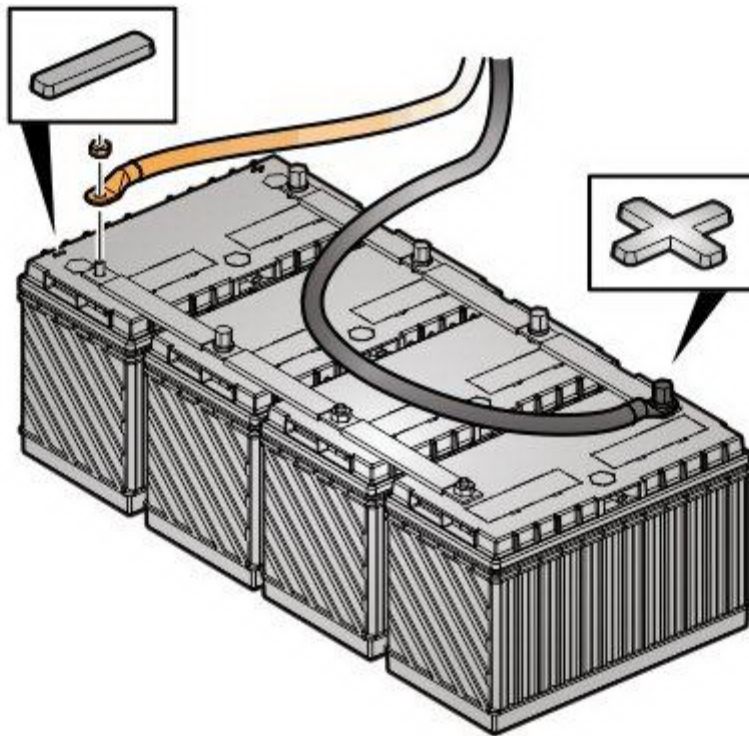
## Repair Procedure

You must read and understand the precautions and guidelines in Service Information, group 80, "General Safety Practices, Cab" before performing this procedure. If you are not properly trained and certified in this procedure, ask your supervisor for training before you perform it.

1. Park the vehicle on a flat and level surface.
2. Apply the parking brake.
3. Place the gear lever in neutral.
4. Install the wheel chocks.



5. Disconnect the cable from the negative terminal.



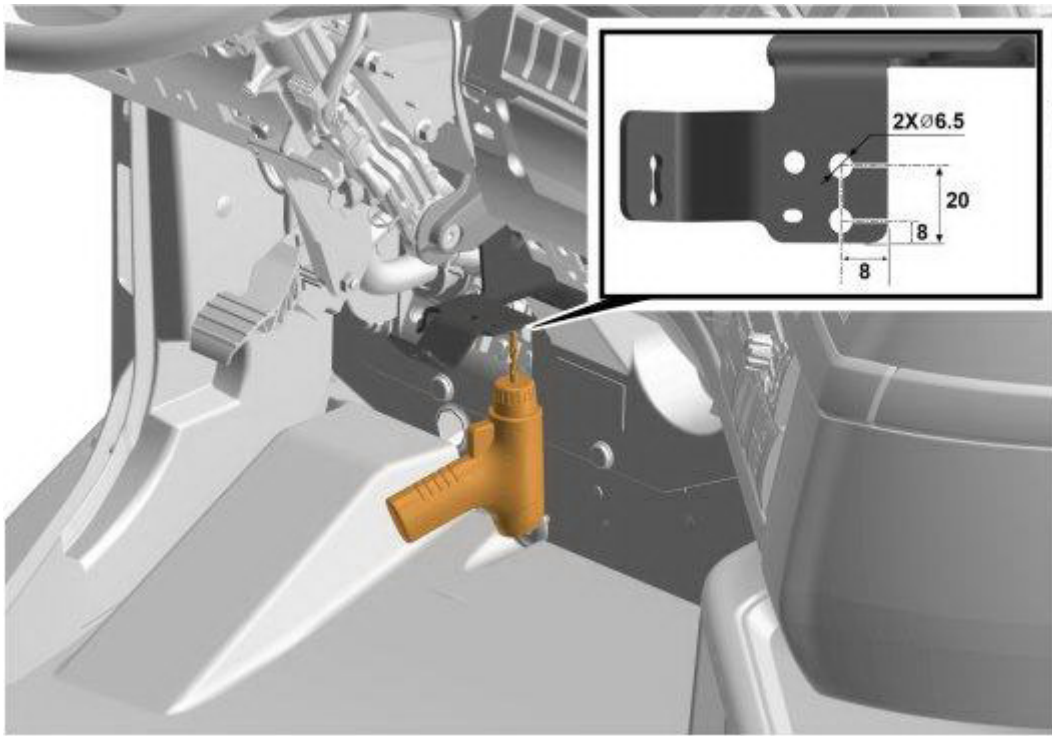
6. Follow procedure [Hood Release Cable, Replacement](#) in Impact to gain access to the cables.

7. Inspect cables for rubbing or binding around the steering shaft.

8. Replace Hood Release Cables as necessary following procedure [Hood Release Cable, Replacement](#) in Impact.

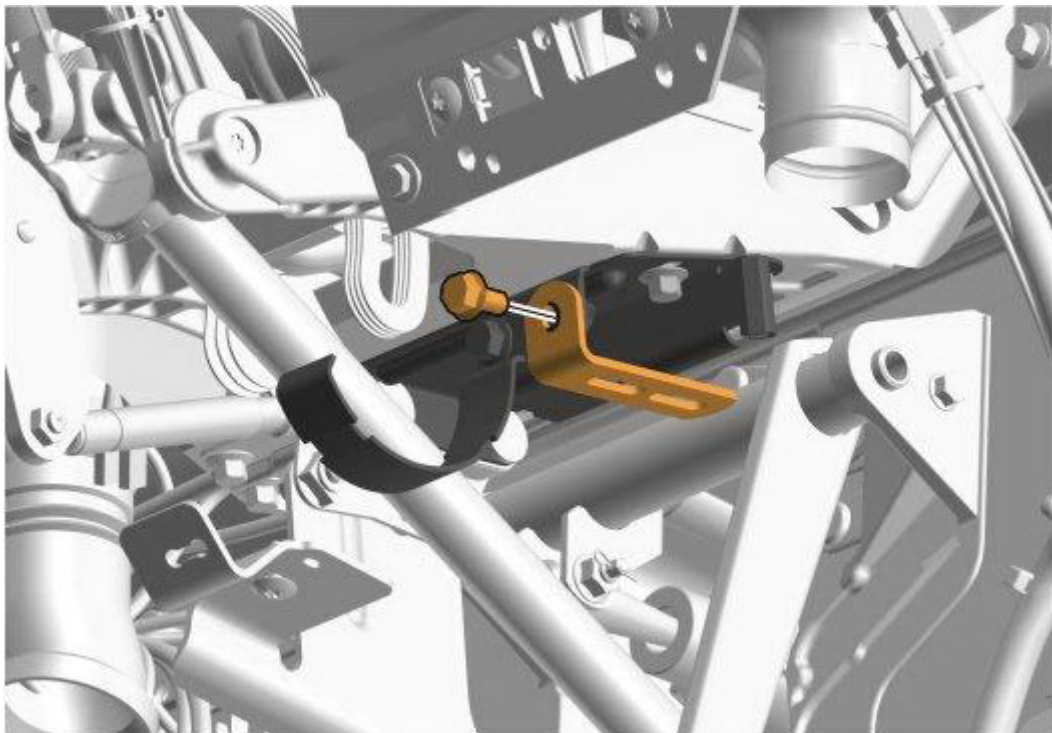
9. When installing new cable use new routing of cable shown below.

10. Drill two 6.5mm holes in the existing cable mounting bracket.

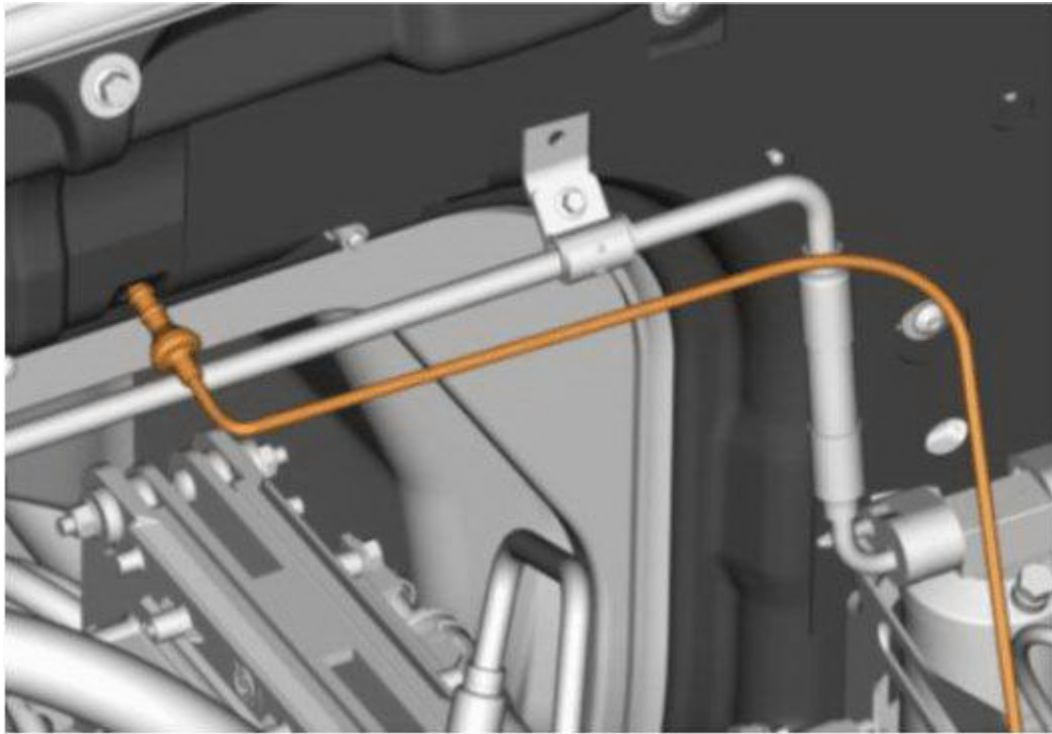


11. Add L bracket using existing screw and torque to spec.

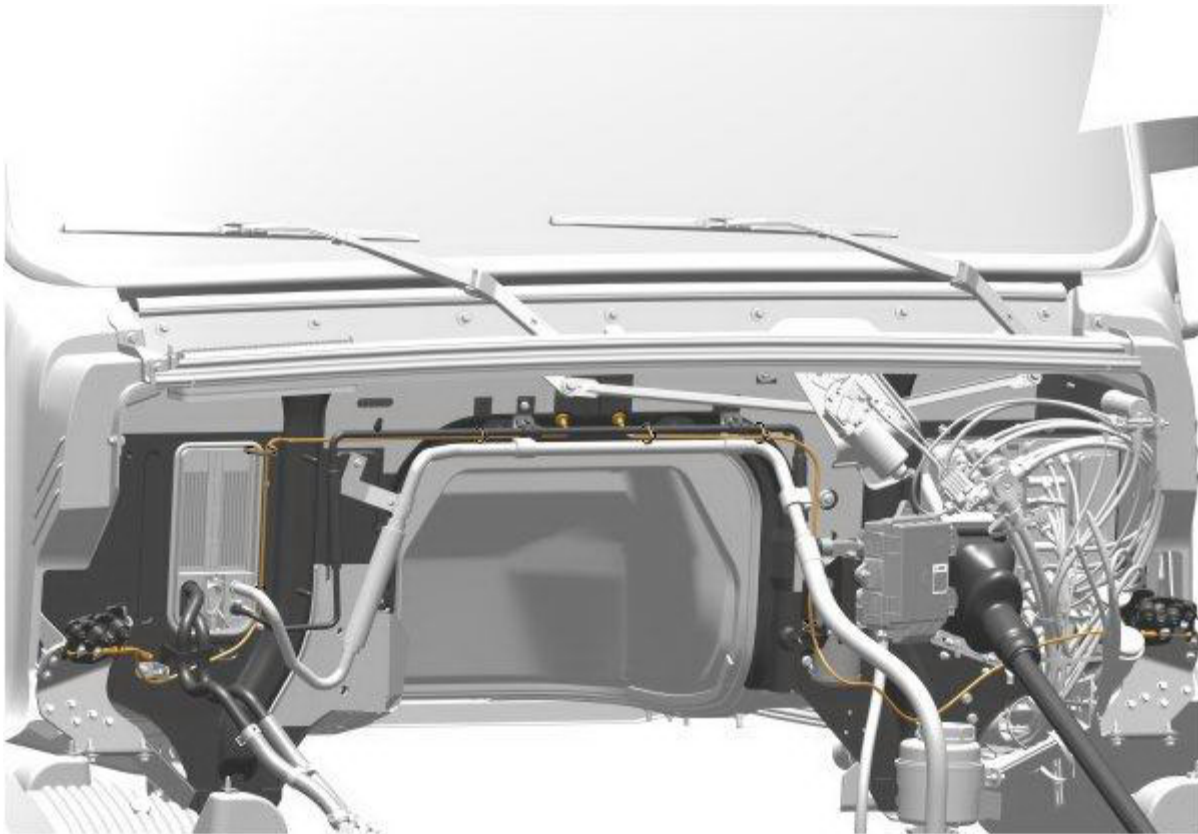
Tightening torque	
Screw	M8
	36 Nm (26 lbf-ft)



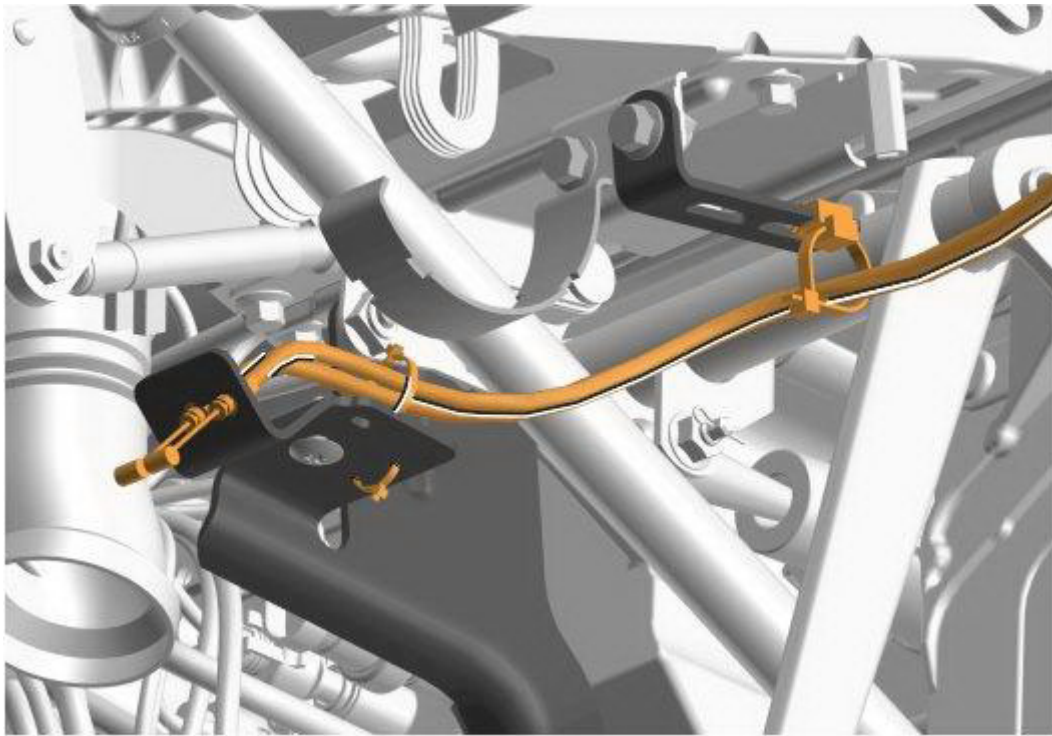
12. If replacing the cables, carefully remove the cables and draw back out through the firewall.



13. Remove the cable ties and note the positions with a paint marker or pieces of tape.
14. Carefully draw the cable through the hole in the firewall.

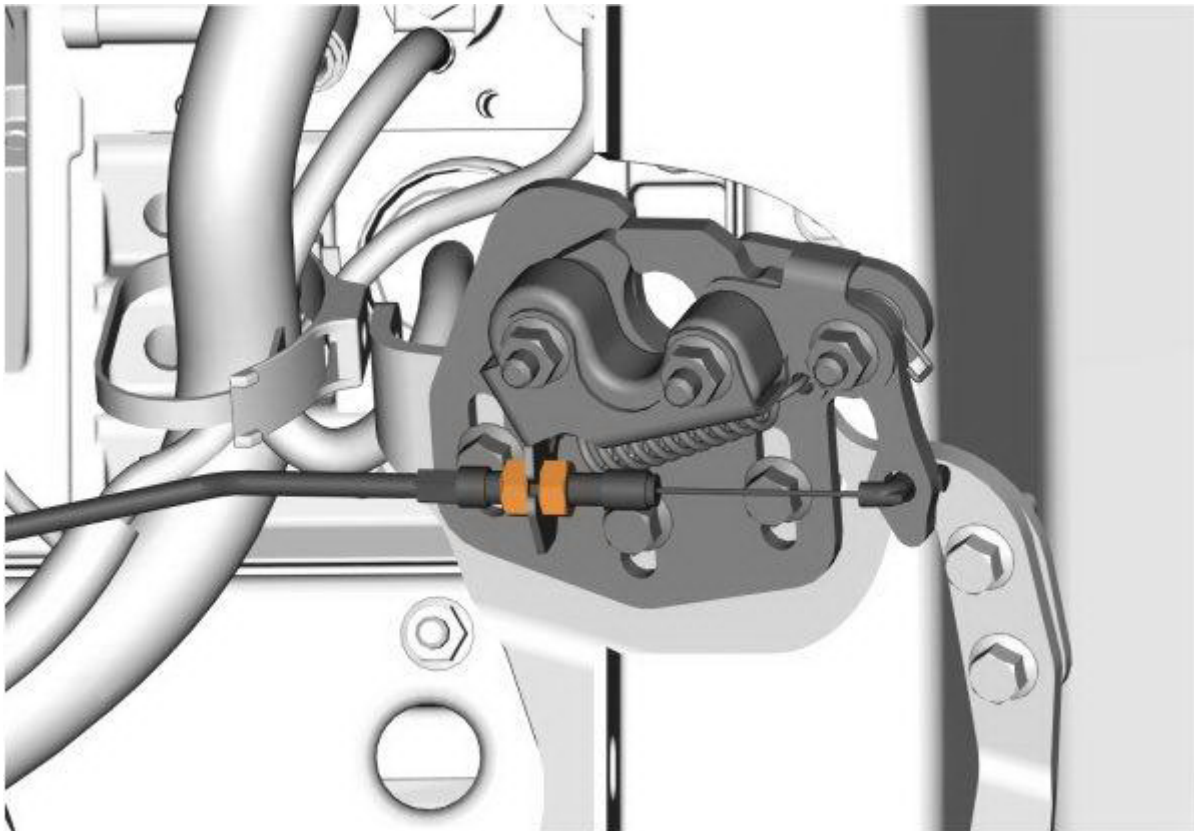


15. Install the cable and route as shown above.
16. Make sure the hood cables are routed to the **right of the steering shaft**.
17. Secure the cables to the existing mounting bracket using a double headed tie. (Shown below)
18. Secure the cables to the L bracket using an edge clip and tie. (Shown below)

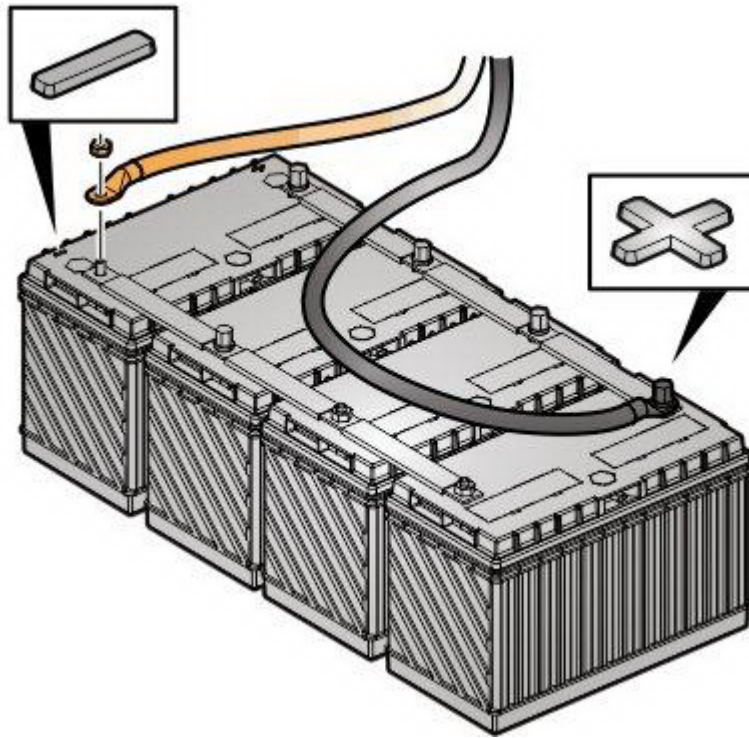


19. Verify that the cables are not binding or rubbing the steering shaft.
20. Install the release cables at the latch.
21. Torque tighten the adjustment nuts.

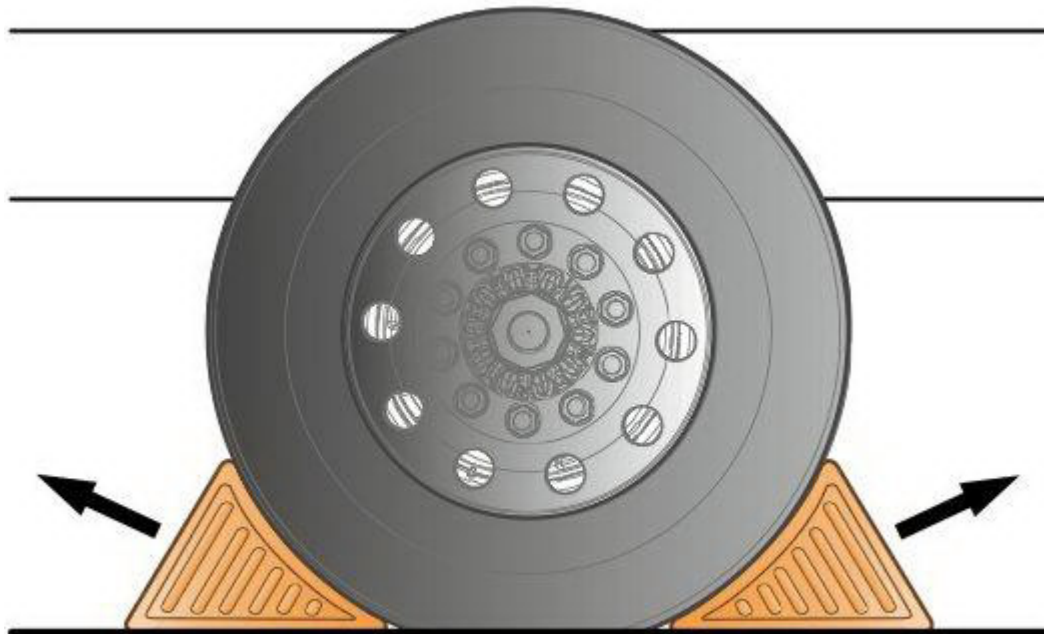
Tightening torque	
Release cable, nut	$6 \pm 2$ Nm



22. Check Hood cable operation and confirm that hood cables are adjusted properly at the latch.
23. Put interior back together following procedure [Hood Release Cable, Replacement](#) in Impact.
24. Verify that the hood cables operate as intended.
25. Connect the cable to the negative terminal.



26. Remove the wheel chocks.



## Warranty information

This repair may be eligible for reimbursement if a product failure was experienced within time and mileage limits of the applicable Warranty coverage.

UCHP  
Reimbursement

<b>Reimbursement is obtained via the normal claim handling process.</b>	
<b>Claim Type (used only when uploading from the Dealer Bus. Sys.)</b>	W
<b>Labor Code</b>	
Hood Release Cable, Replacement (One Cable)	8214-03-02-03 – 1.0 hrs
Routing/Clipping, Modification 0.1 hrs x 4	8000-19-03-01 – 0.4 hrs
If Applicable	
Hood Release Cable, Replacement (Each Additional Cable)	8214-03-03-01 – 0.4 hrs
<b>Causal Part</b>	82772417

## Issued by

Technical Service