

NON-COMPLIANCE RECALL

Volvo Trucks North America

Greensboro, NC USA

VOLVO

Date	Number	Release	Page
07.2023	EC0023	01	1(5)

**EC0023 OBD MONITOR
(VAH, VHD, VN)**

RECALL INFORMATION

(July 2023)

Volvo has determined that certain 2022 model year VAH, VHD, VN Vehicles have incorrect software loaded in the Engine and Aftertreatment control modules. This Recall includes an updated software in the EECU and ACM to address potential issues with the NOx sensor monitors used in the On-Board Diagnostic (ODB) system. This Issue has no impact on fuel economy, drivability, performance, or safety of the engine.

To ensure Volvo Trucks remain emission compliant with these vehicles, follow the repair instructions outlined in this document to reprogram the EECU, ACM, and install a completion label if applicable.

VEHICLES AFFECTED

Certain Volvo Trucks manufactured between January 04, 2021, and June 09, 2021.

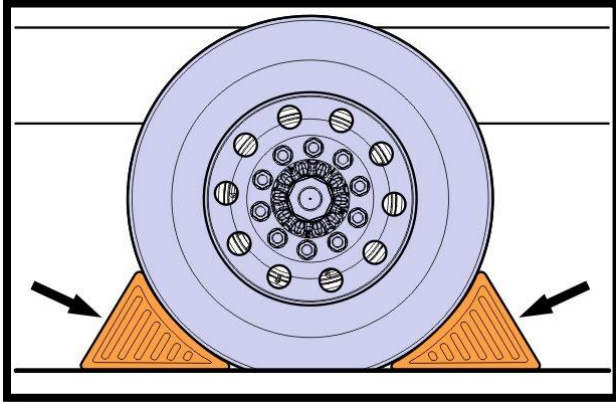
VEHICLE QUANTITY

There are 2086 vehicles affected by this recall. (1652_ US,434_ CAN)

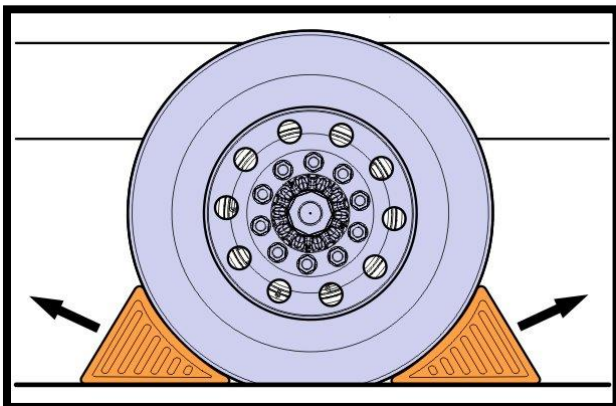
Parts
NA

Repair Instructions

1. Park the vehicle on a level surface.
2. Apply the parking brake.
3. Place the gear lever in neutral.
4. Install the wheel chocks.



5. Connect to the vehicle using (PTT) Premium Tech Tool.
6. Program the **Engine control module** and **Aftertreatment control module** using operation **1700-08-03-39** under the **Program tab**.
7. Once the programming is completed clear any fault codes caused by programming.
8. Disconnect PTT from the vehicle.
9. Install and fill out the Campaign completion label if needed.
10. Remove the wheel chocks.



11. Release the vehicle to the customer.

Important note!

If needed print out this Certificate of Emission Recall Completion form, fill out and give to the customer.

Vehicle Emissions Recall - Proof of Correction																								
License Number	Make	Year Model	Year Model	Vehicle Identification Number																				
				<table border="1" style="width: 100%; border-collapse: collapse;"><tr><td style="width: 10%; height: 15px;"></td><td style="width: 10%;"></td><td style="width: 10%;"></td><td style="width: 10%;"></td><td style="width: 10%;"></td><td style="width: 10%;"></td><td style="width: 10%;"></td><td style="width: 10%;"></td><td style="width: 10%;"></td><td style="width: 10%;"></td><td style="width: 10%;"></td><td style="width: 10%;"></td><td style="width: 10%;"></td><td style="width: 10%;"></td><td style="width: 10%;"></td><td style="width: 10%;"></td><td style="width: 10%;"></td><td style="width: 10%;"></td><td style="width: 10%;"></td><td style="width: 10%;"></td></tr></table>																				
Manufacturer:		Recall Number:																						
The above described vehicle has been repaired, modified to address the Emissions Related Recall that is listed above.																								
Dealer's		Address, City, State																						
<hr style="border: 0; border-top: 1px solid black;"/>																								
Dealer's Authorized Signature																								
X <hr style="border: 0; border-top: 1px solid black;"/>																								
Return this certificate to DMV only when required - otherwise retain for your records.																								

REIMBURSEMENT

This repair is covered by an authorized Recall. Reimbursement is obtained through the normal claim handling process.	
	UCHP Reimbursement
Claim Type (used only when uploading from the Dealer Business System)	40
Recall Status	
Vehicle repaired per instructions	1-Modified per instructions
Labor Codes	
2841-22-02-01 Engine Control Module (ECM) and Aftertreatment Control Module (ACM), Reprogramming.	0.4
Causal Part	85101286
Authorization Number	M0201

Note: Dealers are to perform Non-Compliance Recalls on all subject vehicles at no charge to the vehicle owner regardless of mileage, age of vehicle or ownership (original purchaser or subsequent purchasers). Whenever vehicles are subject to a Non-Compliance Recall are brought to your dealership for service, it is strongly recommended that every effort be made to perform the recall correction before the vehicle is released to the owner.