

# NON-COMPLIANCE RECALL

**Mack Trucks Inc.**

Greensboro, NC USA



---

Date	Number	Release	Page
07.2023	<b>EC0023</b>	<b>01</b>	<b>1(5)</b>

## **EC0023 OBD MONITOR (AN, GR, LR, PI, TE)**

### **RECALL INFORMATION**

(July 2023)

Mack has determined that certain 2022 model year AN, GR, LR, PI, TE Vehicles have incorrect software loaded in the Engine and Aftertreatment control modules. This Recall includes an updated software in the EECU and ACM to address potential issues with the NOx sensor monitors used in the On-Board Diagnostic (OBD) system. This Issue has no impact on fuel economy, drivability, performance, or safety of the engine.

To ensure Mack Trucks remain emission compliant with these vehicles, follow the repair instructions outlined in this document to reprogram the EECU, ACM, and install a completion label if applicable.

### **VEHICLES AFFECTED**

Certain Mack Trucks manufactured between January 11, 2021, and November 01, 2021.

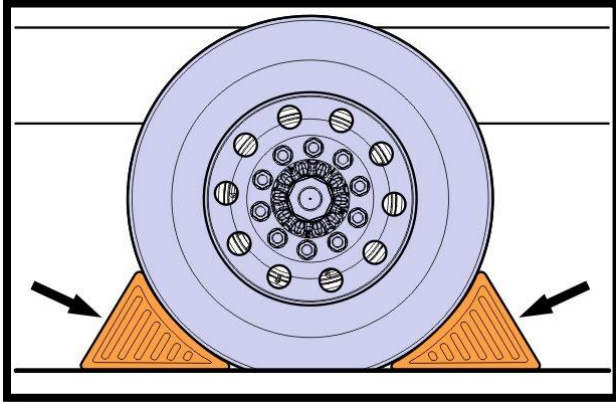
### **VEHICLE QUANTITY**

There are 2259 vehicles affected by this recall. (2028\_ US,231\_ CAN)

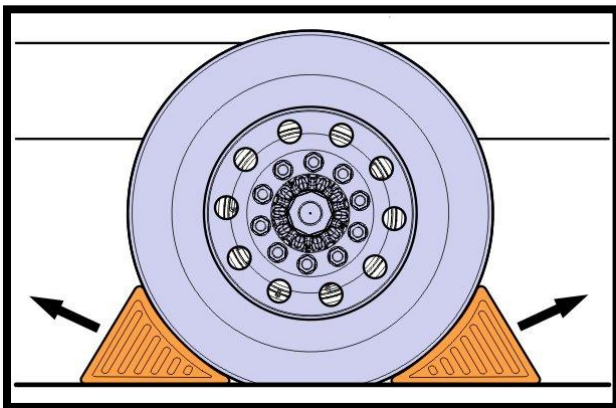
**Parts**  
NA

**Repair Instructions**

1. Park the vehicle on a level surface.
2. Apply the parking brake.
3. Place the gear lever in neutral.
4. Install the wheel chocks.



5. Connect to the vehicle using (PTT) Premium Tech Tool.
6. Program the **Engine control module** and **Aftertreatment control module** using operation **1700-08-03-39** under the **Program tab**.
7. Once the programming is completed clear any fault codes caused by programming.
8. Disconnect PTT from the vehicle.
9. Install and fill out the Campaign completion label if needed.
10. Remove the wheel chocks.



11. Release the vehicle to the customer.





**REIMBURSEMENT**

This repair is covered by an authorized Recall. Reimbursement is obtained through the normal claim handling process.	
	<b>UCHP Reimbursement</b>
<b>Claim Type</b> (used only when uploading from the Dealer Business System)	40
<b>Recall Status</b>	
Vehicle repaired per instructions	1-Modified per instructions
<b>Labor Codes</b>	
<b>2841-22-02-01</b> Engine Control Module (ECM) and Aftertreatment Control Module (ACM), Reprogramming.	0.4
<b>Causal Part</b>	85101286
<b>Authorization Number</b>	M0200

**Note:** Dealers are to perform Non-Compliance Recalls on all subject vehicles at no charge to the vehicle owner regardless of mileage, age of vehicle or ownership (original purchaser or subsequent purchasers). Whenever vehicles are subject to a Non-Compliance Recall are brought to your dealership for service, it is strongly recommended that every effort be made to perform the recall correction before the vehicle is released to the owner.