



STAR ONLINE PUBLICATION

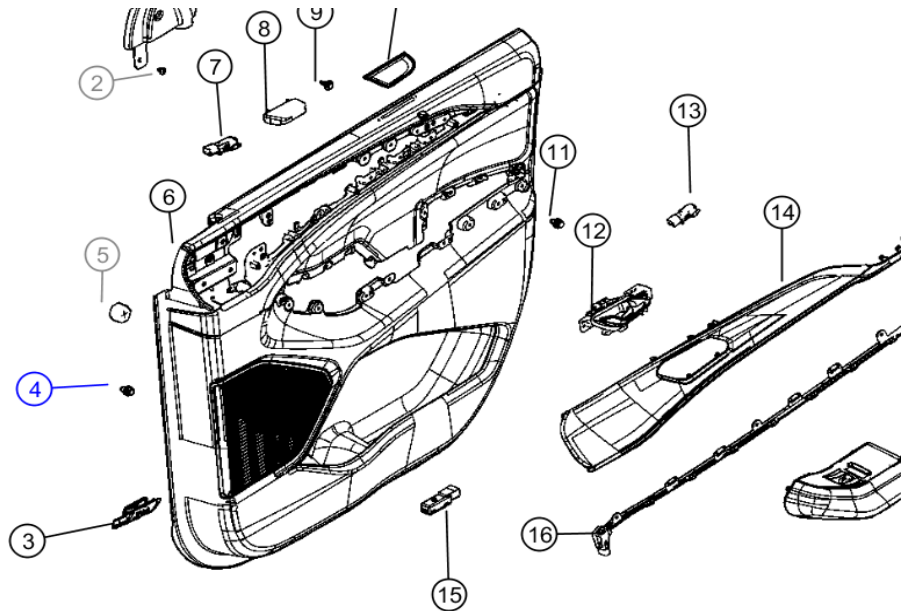


Case Number: S2323000038

Release Date: May 2023

Symptom/Vehicle Issue: Buzz, Squeak, Rattle (BSR) From Door Panel With Loud Music And Or Bass.

Discussion: Inspect the door panel mounting for any unseated or damaged pushpins. A door panel that is not fully retained could sound like a failed speaker and mislead diagnosis. While duplicating the condition place hand pressure on the door panel in various areas to isolate a damaged or missing pushpin. Push pins are available as a service part.



Item	Description (Double Click to add part to Exchange List)	Part Number	Notes	Qty
4	PUSH PIN	06513137AA		1

This document does not authorize warranty repairs. This communication documents a record of past experiences. STAR Online does not provide any conclusions about what is wrong with the vehicle. Rather, it captures all previous cases known that appear to be similar or related to the vehicle symptom / condition. You are the expert, and you are responsible for deciding on the appropriate course of action.

Contact STAR Center, or your Technical Assistance Center Via TechConnect, eCONTACT or Service Library entry if no solution is found.