



Bulletin No.: PIP5926

Published date: N/A

Preliminary Information

PIP5926 Transmission Fluid Leak Between the Transmission and Transfer Case

Models

Brand:	Model:	Model Years:	VIN:		Engine:	Transmissions:
			from	to		
Chevrolet	Silverado 2500/3500	2020 - 2024	ALL	ALL	L5P L8T	MKM MGM MGU
GMC	Sierra 2500/3500	2020 - 2024	ALL	ALL	L5P L8T	MKM MGM MGU

Involved Region or Country	North America, Middle East, Israel and Australia/New Zealand.
Additional RPO	NQF NQH
Condition	Some customers or technicians may comment of a transmission fluid leak between the transmission and transfer case.
Cause	The Transmission Case Extension Seal (call out 1 second pic below) is leaking or the Transfer Case Input Shaft Seal (call out 1 third pic below).

Correction:

Replace the Transmission Case Extension Seal (call out 1 second pic below) and Transfer Case Input Shaft Seal (call out 1 third pic below).

Note: The cavity between the Transmission and Transfer Case is a wet cavity by design. The Transfer Case Input Shaft Seal is a double seal to prevent fluid transmission and transfer case fluid from intermixing with each. If either side of the seal leaks fluid will leak from the weep holes between the Transmission and Transfer Case.

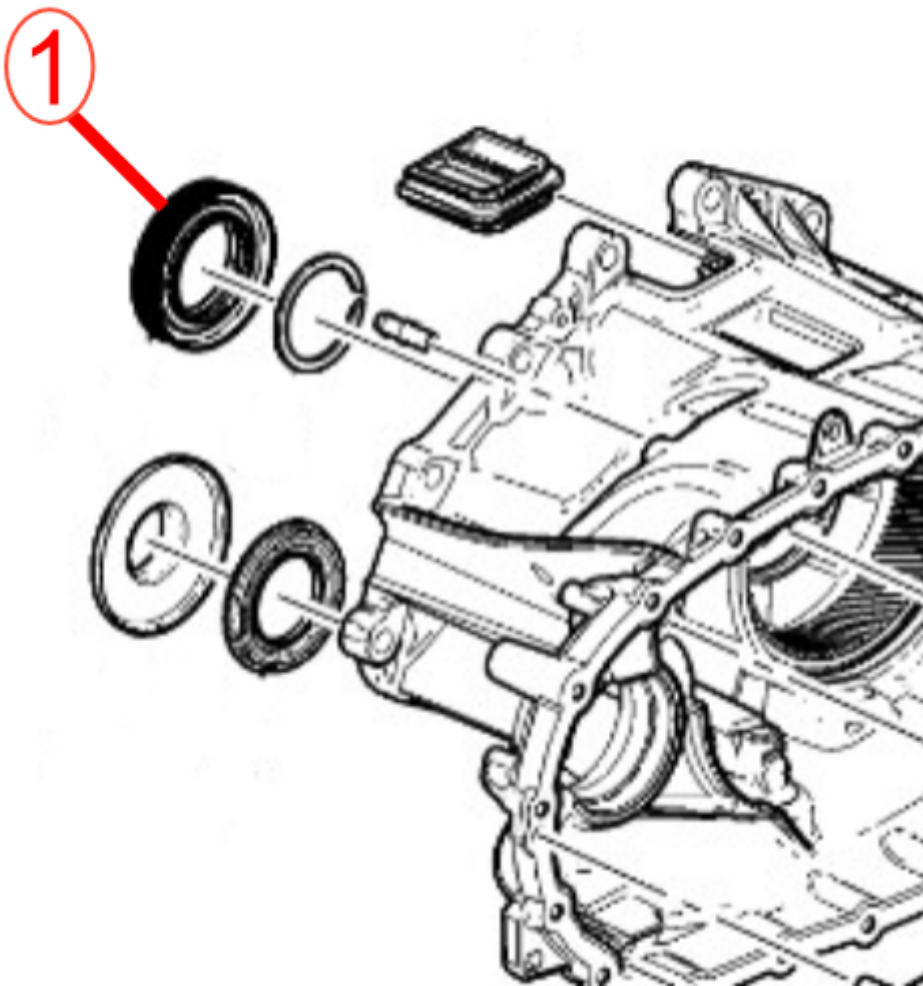
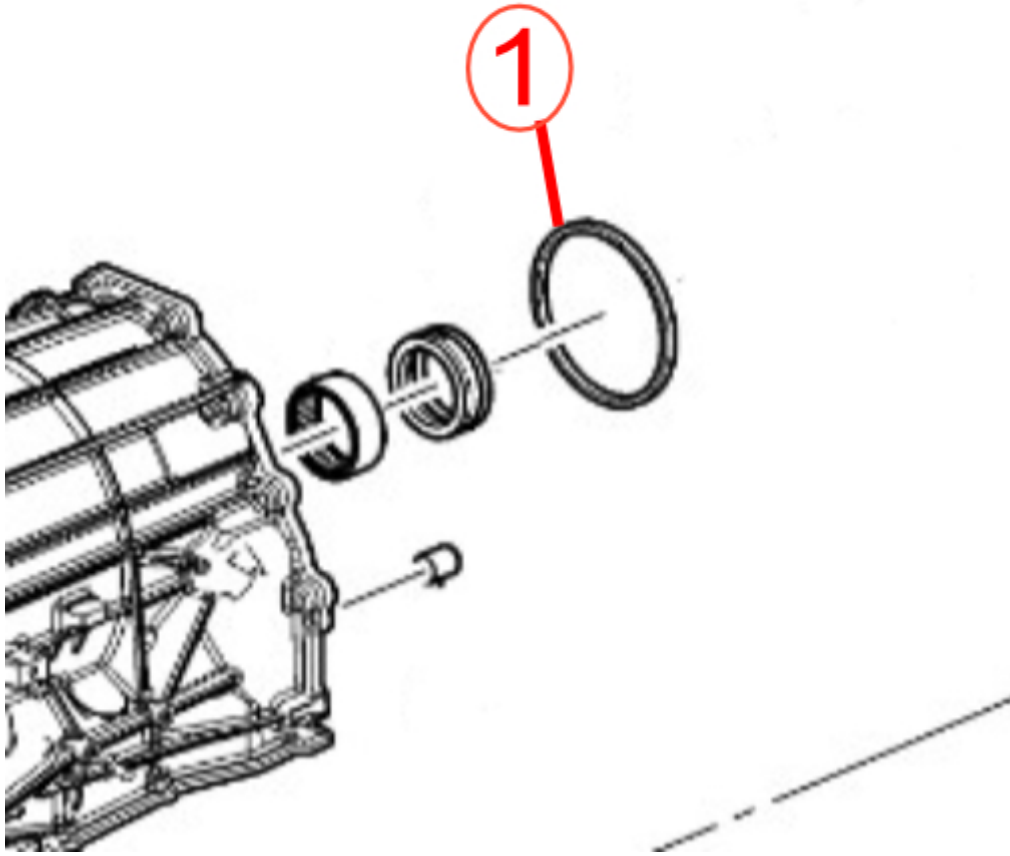
Adding dye to either the transfer case or transmission will help determine if the seal depth is incorrect.

If the seal is installed to deep the fluid leaking is transmission fluid.

If the seal is not installed deep enough the fluid leaking is transfer case fluid.

Either condition will cause fluid to leak out of the weep holes between the transmission and transfer case.





MKM MGM MGU NQF NQH

Note: Review PIP5810B for proper Transfer Case Input Shaft Seal Installation Instructions. Improper Transfer Case Extension Seal installation will result in repeat leaks.

Note: Follow the published t-case alignment bolt torque and sequence pattern during the installation process, example reference in SI# 6283514, at the bottom of the page.

Note: For Model Year 2022 review PIP5857 for a possible Case Plug. Note the Case Plug issue should have presented itself at low mileage.

** This PI will be updated to a TSB as more information becomes available. **

Version History

Version	1
Modified	06/07/2023 - Created.



© 2023 General Motors. All Rights Reserved.