



Vehicles With Back-Of-Cab SCR - Exhaust Stack Replacement Information, PM Sensor Failure Repair Information



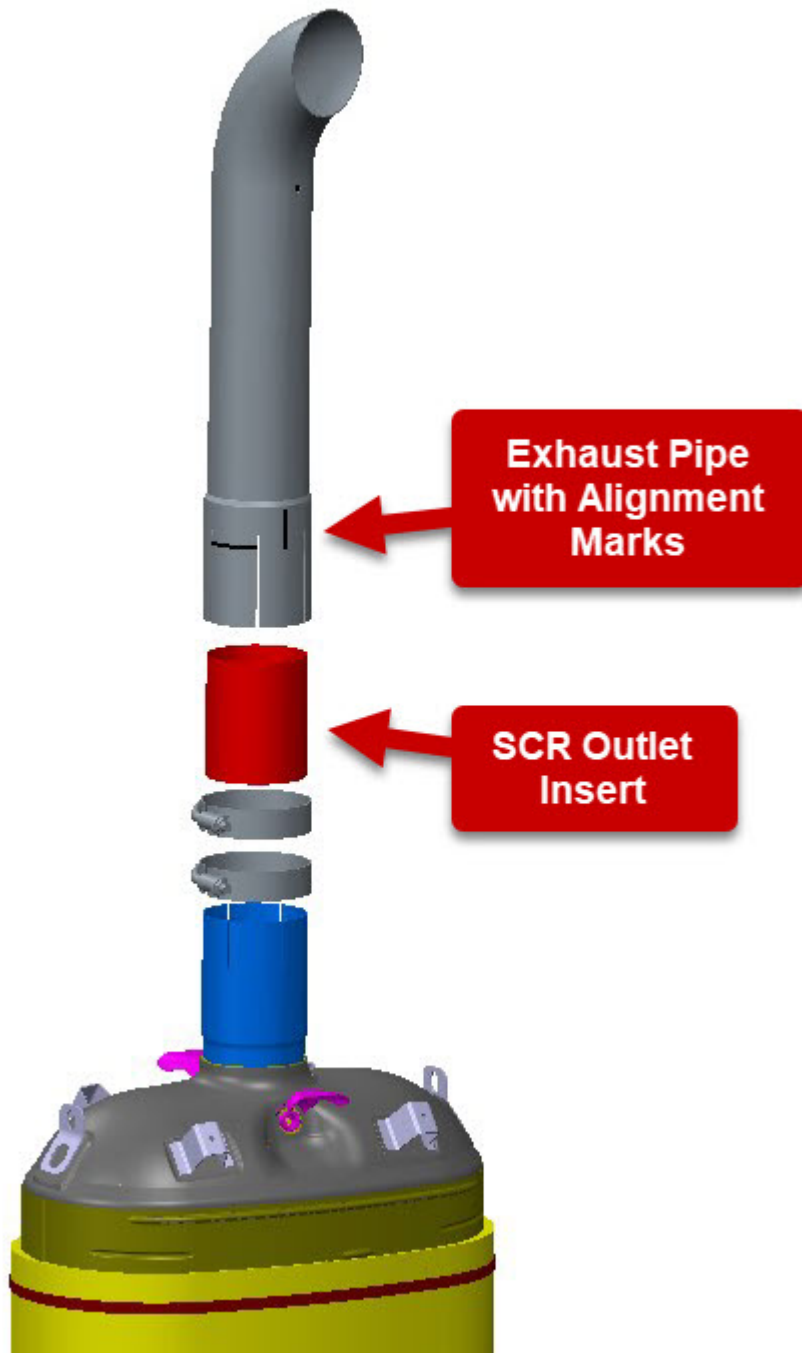
✓ Internal Content

Requested by Brett Bell, Spare Parts Engineering

There has been a change in the design of the vertical exhaust stack for vehicles built prior to mid-March (Week 11) 2018 with a back-of-cab SCR. This change addresses PM Sensor failures caused by water contamination.

The solution introduces a two part configuration: a new exhaust pipe with alignment marks and an insert for the outlet of the SCR, shown in the diagram below.

Note that the old pipe is not compatible with this new configuration.



If an applicable vehicle is experiencing repeated failures of the PM sensor due to water contamination:

1. Check the part number of the exhaust stack currently installed on the vehicle.
2. Compare the current stack's part number with those in the "Old Part Number" column of the chart below.
3. If the current stack is one of those listed under the Old Part Number, replace the exhaust stack with the exhaust stack, SCR insert,

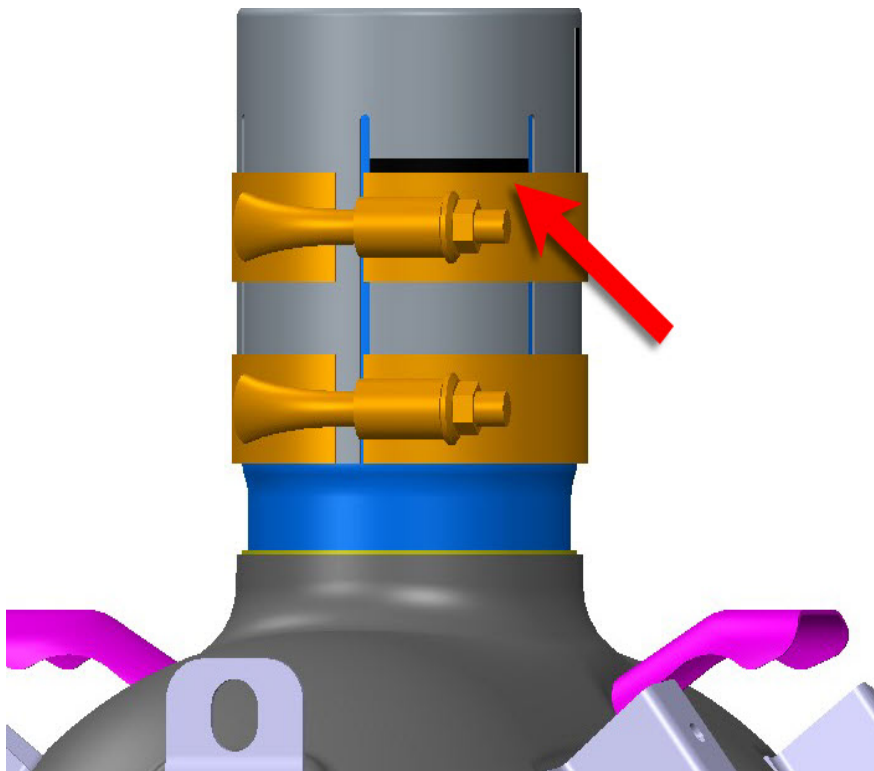
[Live UI](#) 1, replace the exhaust stack with the exhaust stack, SCR insert,

and clamp combination listed under the "New Part Numbers" column.

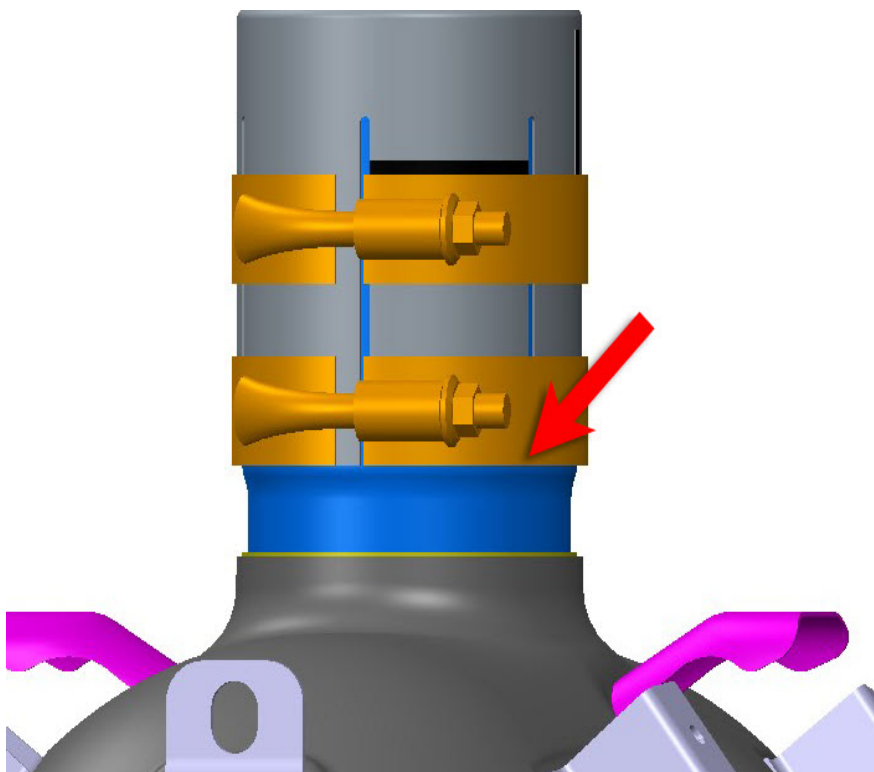
Old Part Number	Old Stack Description	New Part Numbers	New Stack Description
21127544	5", PLAIN, 3,5, LONG	23208695 + 23296273 + 2x 23189982	5", PLAIN, 3,5, LONG
21677615	5", CHROME, 3,5, LONG	23208696 + 23296273 + 2x 23189982	5", CHROME, 3,5, LONG
22016224	STANDARD, 3.6 LONG	23208698 + 23296273 + 2x 23189982	STANDARD, 3.6 LONG
21777250	CHROME, 3.6, LONG	23208699 + 23296273 + 2x 23189982	CHROME, 3.6, LONG
21127546	5", PLAIN, 3,8, LONG	23208700 + 23296273 + 2x 23189982	5", PLAIN, 3,8, LONG
21677614	5", CHROME, 3,8, LONG	23208701 + 23296273 + 2x 23189982	5", CHROME, 3,8, LONG
21127550	5", PLAIN, 4,1, LONG	23208702 + 23296273 + 2x 23189982	5", PLAIN, 4,1, LONG
21677612	5", CHROME, 4,1, LONG	23208703 + 23296273 + 2x 23189982	5", CHROME, 4,1, LONG
21127550	5", PLAIN, 4,1, LONG	23208704 + 23296273 + 2x 23189982	5", PLAIN, 4,06, LONG
21172649	5", PLAIN, 3,8, SHORT	23208705 + 23296273 + 2x 23189982	5", PLAIN, 3,8, SHORT

4. When installing the new exhaust stack:

- The top clamp should be aligned with the horizontal mark

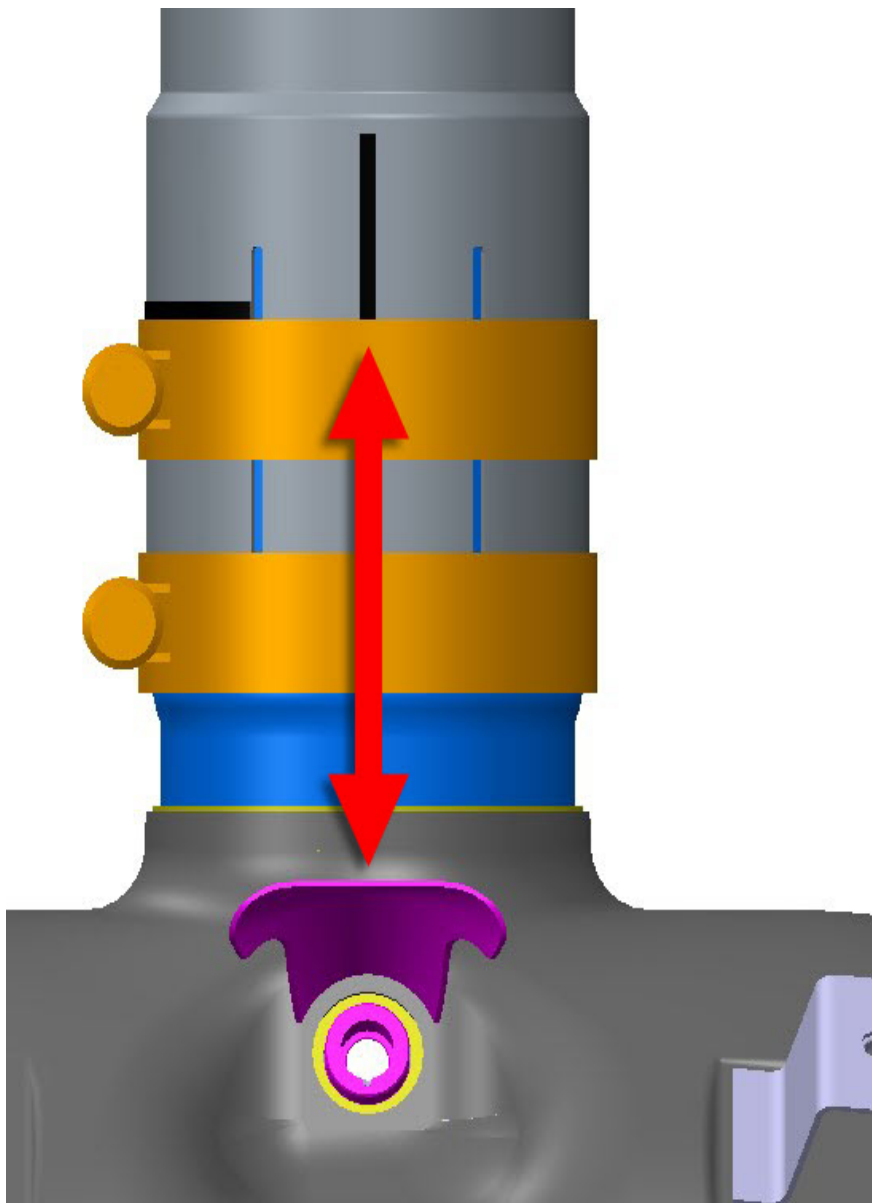


- The bottom clamp should be aligned with the bottom of the exhaust pipe.



- The vertical mark on the pipe should be aligned with the PM sensor boss on the SCR.

 Live UI



 Tags

[volvo](#) [mack](#) [pm sensor](#) [vertical exhaust](#)

Categories 

Make and Model > Mack > LEU - TerraPro Low Entry

Make and Model > Mack > LR

Make and Model > Volvo > VAH

Make and Model > Volvo > VHD

 Live UI and Model > Mack > MRU/TE - TerraPro

Vehicle System > Emissions

Vehicle System > Body and Cab Exterior

Related links and attachments

No links or attachments available



Feedback

[Give feedback](#)

to help improve the content of this article