



Power Steering Cooler Hose Clamps

Service Category Service Department

Section Function Group 645

Technician Skill Level A

Market North America

Applicability

Mack

Model Years	Models
2024	AN, GR, PI

Introduction

Mack trucks has determined that certain AN, GR, and PI models were built using the incorrect power steering cooler hose clamps. On affected trucks the power steering hoses need to be removed from the power steering cooler and the incorrect clamps removed. Follow the instructions below to remove the power steering cooler hoses, remove the squeeze clamps and cable ties, install the hoses using the correct clamps.

Production Change Information

This bulletin applies to vehicles built within the specified production changes below.

Brand	Engine	Emission Level	Starting Build Date	Ending Build Date
Mack	CU-9, MP7, MP8	EM-EC01, EM-EU5, EM-USA21	30-January-2023	03-March -2023

Warranty Information

This repair is covered by an authorized Service Program. Reimbursement is obtained through the normal claim handling process.		
Claim Type (used only when uploading from the Dealer Bus. Sys.)		B
Main Labor Code	Description	Hours
1720-16-09-01	Campaign General x5	0.5
Causal Part	20915849	
SCC Authorization Code	S3275	
Expiration Date	June 30, 2024	

Power Steering Cooler Hose Clamps

Parts Information

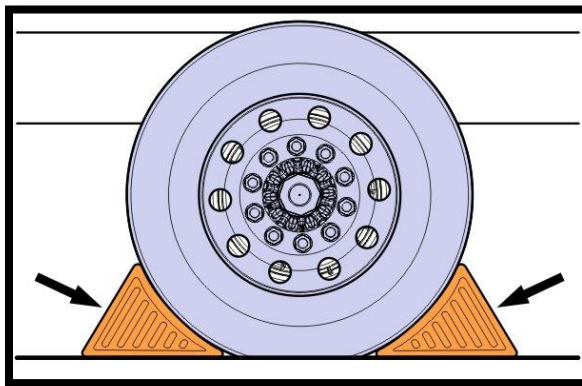
Part Numbers	Part Names	Quantity
20915849	Clamp	2
*	Power steering fluid	As needed

Calibration Information

N/A

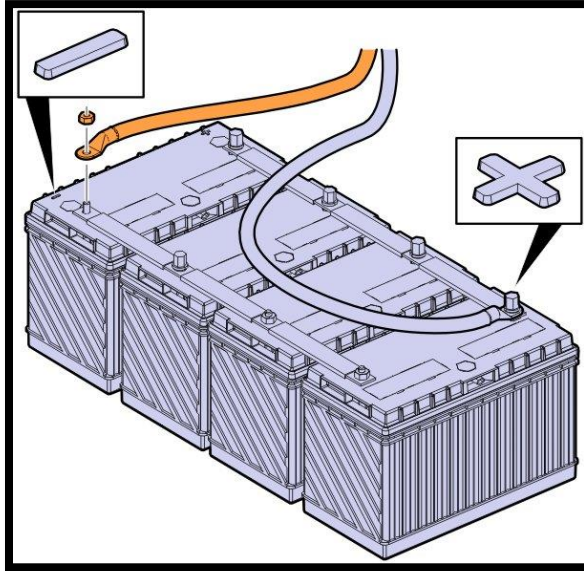
Repair Procedure

1. Park the vehicle on level surface.
2. Apply the parking brake.
3. Place the gear level in neutral.
4. Install the wheel chocks.

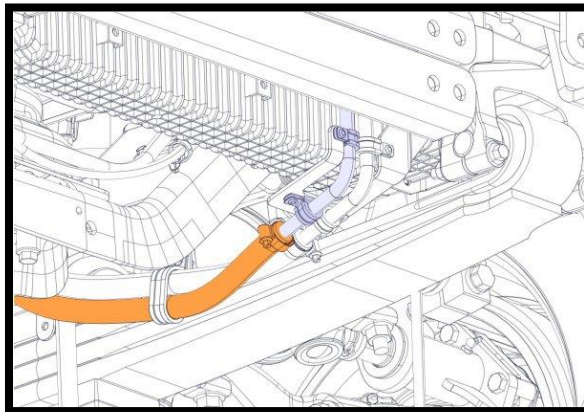


5. Disconnect the cable from the negative terminal.

Power Steering Cooler Hose Clamps

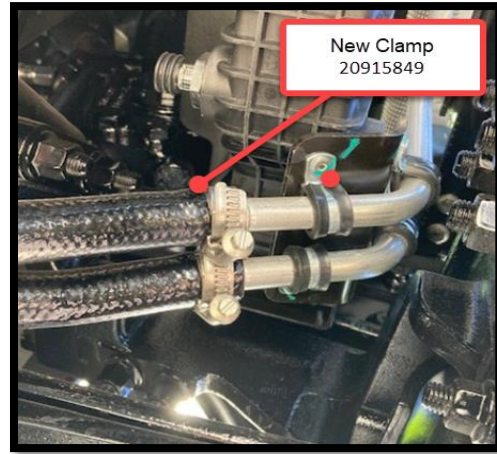
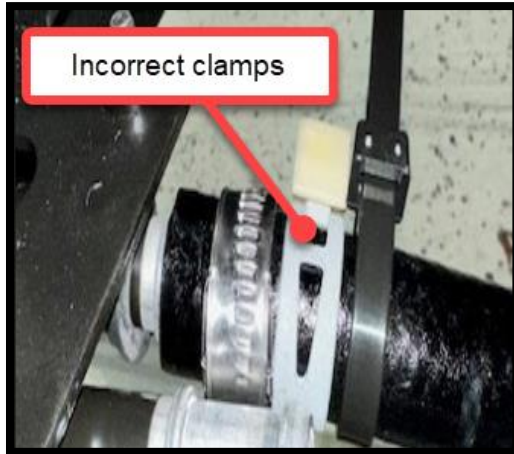


6. Unlatch and raise the hood.
7. Position a container to collect the fluid.
8. Loosen the clamps.
9. Disconnect the hoses.

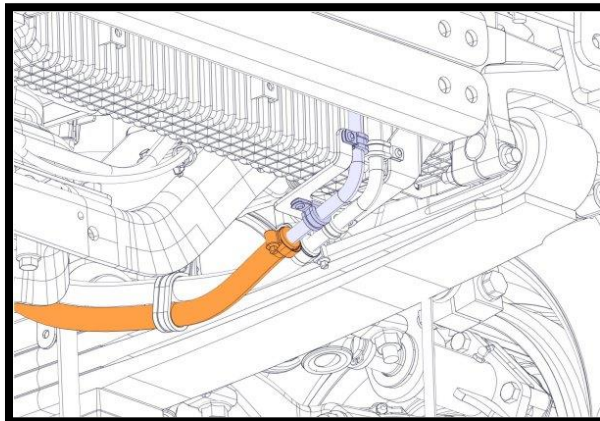


10. Remove and discard all the clamps and tie cables from each cooler hose.

Power Steering Cooler Hose Clamps



11. Install the new clamps **20915849** onto each cooler hose.
12. Connect both cooler hoses to the cooler.

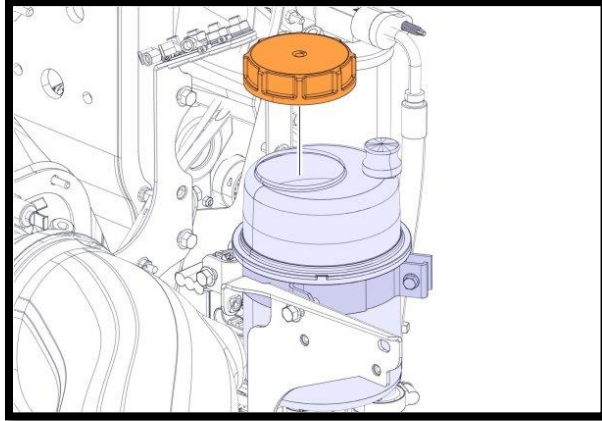


13. Torque the clamps.

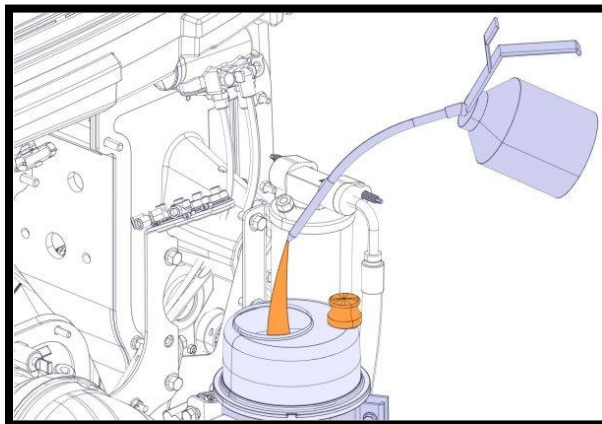
Tightening torque	
Clamp, screw	2.99 ±0.5 Nm (26.5 ±4 lb _f ·in)

14. Remove the cap.

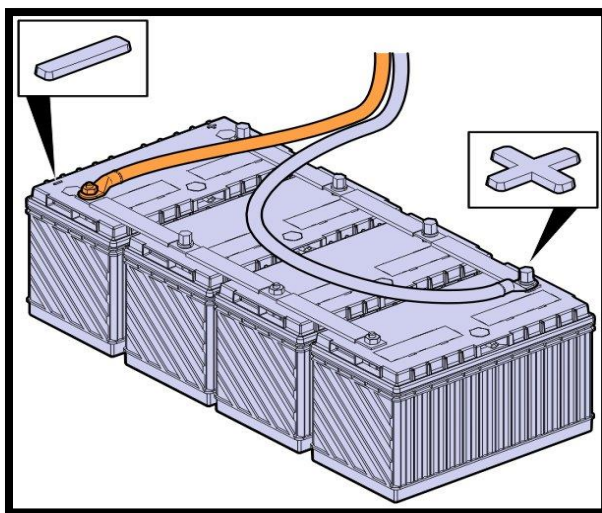
Power Steering Cooler Hose Clamps



15. Fill the reservoir with fluid.



16. Connect the cable to the negative terminal.

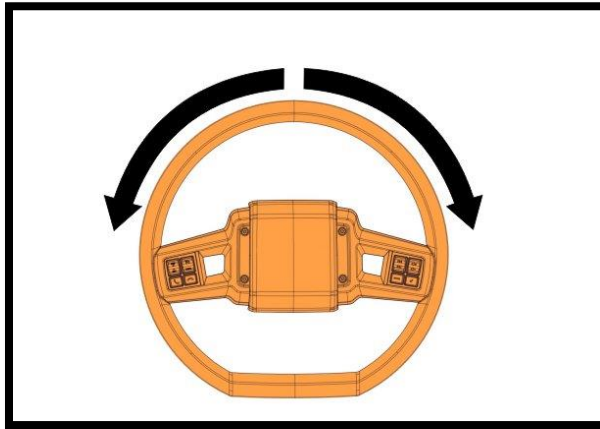


Power Steering Cooler Hose Clamps

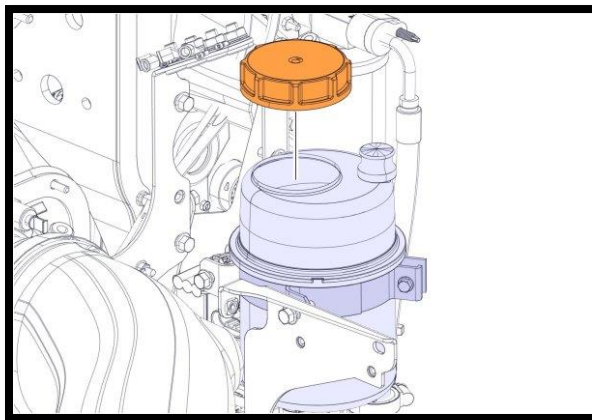
17. Start the vehicle.
18. Turn the steering wheel.

Important Note!

Turn the wheel several times reaching full lock.

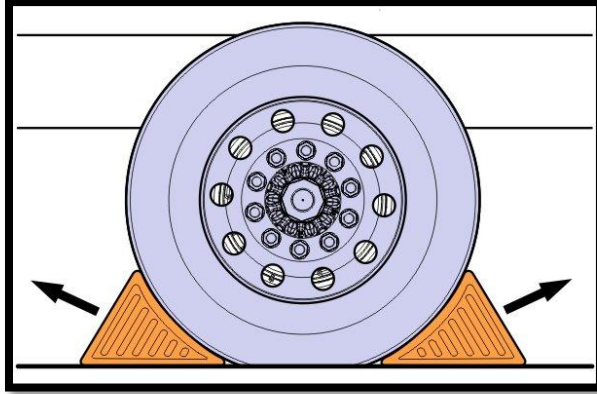


19. Add oil, if necessary.
20. Repeat the operation several times until no air remains in the steering circuit.
21. Install the cap.



22. Check for any leaks.
23. Lower and latch the hood.
24. Remove the wheel chocks.

Power Steering Cooler Hose Clamps



25. Release the vehicle to service.