

Door Entry Guard, Illuminated (7M7/7M8)

Revision: This bulletin replaces bulletin Group 6 23/14, dated January 22, 2016.

Model Year: **As of 2014 up to 2021**

Information: **Retrofitting**

Note:



Figure 1

Illuminated door entry guards can be installed in the door entry area (front ⇒ *Figure 1*) on the Macan. The guards are available in carbon-fiber composite or aluminium and with the model designation of the respective vehicle. The "Carbon-fiber composite door entry guard" set also includes a carbon-fiber composite loading sill guard (lock carrier, rear).

Technical modification to Macan from week 22/2016:

No slots in front (inner) door sill trim (lower A-pillar trim panel) ⇒ Door entry guard cannot be secured.

For this reason, check the customer's vehicle and also order new lower A-pillar trim panels if necessary (see also Part Nos. section).



Information

First generation and second generation door entry guards differ only in the manufacturing process used for the logo and the surface design. Both generations can be retrofitted without restriction for **ALL** model years.

Parts Info:	Illuminated door entry guard, aluminium, brushed (1st generation):	
	95B.044.801.10	⇒ Aluminium door entry guard –Macan–, set
	95B.044.801.11	⇒ Aluminium door entry guard –Macan S–, set
	95B.044.801.12	⇒ Aluminium door entry guard –Macan Turbo–, set
	95B.044.801.13	⇒ Aluminium door entry guard –Macan GTS–, set
	Illuminated door entry guard, carbon-fiber composite (1st generation):	
	95B.044.801.00	⇒ Carbon-fiber composite door entry guard –Macan–, set
	95B.044.801.01	⇒ Carbon-fiber composite door entry guard –Macan S–, set
	95B.044.801.02	⇒ Carbon-fiber composite door entry guard –Macan Turbo–, set
	95B.044.801.03	⇒ Carbon-fiber composite door entry guard –Macan GTS–, set
	Illuminated door entry guard, aluminium, dark silver, brushed (2nd generation):	
	95B.044.810	⇒ Aluminium door entry guard –Macan–, set
	95B.044.811	⇒ Aluminium door entry guard –Macan S–, set
	95B.044.812	⇒ Aluminium door entry guard –Macan Turbo–, set
	Illuminated door entry guard, aluminium, black, brushed (2nd generation):	
	95B.044.813	⇒ Aluminium door entry guard –Macan GTS–, set
	Illuminated door entry guard, carbon-fiber composite (2nd generation):	
	95B.044.810.A	⇒ Carbon-fiber composite door entry guard –Macan–, set
	95B.044.811.A	⇒ Carbon-fiber composite door entry guard –Macan S–, set
	95B.044.812.A	⇒ Carbon-fiber composite door entry guard –Macan Turbo–, set
	95B.044.813.A	⇒ Carbon-fiber composite door entry guard –Macan GTS–, set
	ONLY for Macan from week 22/2016 (new model year), also order the following:	
	95B.863.483.B FFF²	1 x A-pillar trim panels, lower left (LHD vehicle)
	95B.863.484.B FFF²	1 x A-pillar trim panels, lower right (LHD vehicle)

¹ Available model designations: see Porsche Electronic Parts Catalogue, TEQ 4, illustration 807-22.

² Color code: see Porsche Electronic Parts Catalogue, Macan, illustration 807-22.

Parts List: Macan Turbo as an example.



Figure 2

- 1 x Carbon-fiber composite door entry guard, left, illuminated ⇒ *Figure 2-1-*
- 1 x Carbon-fiber composite door entry guard, right, illuminated ⇒ *Figure 2-2-*
- 1 x Aluminium door entry guard, left, illuminated ⇒ *Figure 2-3-*
- 1 x Aluminium door entry guard, right, illuminated ⇒ *Figure 2-4-*
- 1 x Wire harness ⇒ *Figure 2-5-*
- 20 x Tie-wrap (not shown)
- ³ 1 x Carbon-fiber composite lock carrier trim, rear left ⇒ *Figure 2-6-*
- ³ 1 x Carbon-fiber composite lock carrier trim, rear right ⇒ *Figure 2-7-*

³ **ONLY** contained in carbon-fiber composite illuminated door entry guard set.

Materials: ---- Cleaning agent (commercially available)

Tools: **P90999 - PIWIS Tester 4**
 Polyoxymethylene wedge (POM wedge, commercially available)

- Assembly: 1 Preparatory work
- 1.1 Remove front (inner) door sill trim at the left and right (⇒ *Workshop Manual '680519 Removing and installing front inner door sill trim*).
 - 1.2 Remove B-pillar trim panel

- 1.2.1 Remove upper part of B-pillar trim panel at the left/right (⇒ *Workshop Manual '706719 Removing and installing upper part of B-pillar trim panel'*).
- 1.2.2 Remove lower part of B-pillar trim panel at the left and right (⇒ *Workshop Manual '706719 Removing and installing lower part of B-pillar trim panel'*).
- 1.3 Remove rear seat assembly
 - 1.3.1 Remove rear seat (⇒ *Workshop Manual '724819 Removing and installing rear seat'*).
 - 1.3.2 Remove rear right backrest (⇒ *Workshop Manual '724719 Removing and installing rear backrest'*).
- 1.4 Remove cover for rear lock carrier (⇒ *Workshop Manual '703919 Removing and installing cover for rear lock carrier'*).
- 1.5 Remove side trim panel for rear luggage compartment at the right (⇒ *Workshop Manual '700319 Removing and installing side trim panel for rear luggage compartment'*).
- 1.6 **ONLY** for vehicles with rear seat airbag:
 - 1.6.1 Disconnect the battery (⇒ *Workshop Manual '270619 Removing and installing battery'*).
 - 1.6.2 Remove rear right seat airbag (⇒ *Workshop Manual '696419 Removing and installing rear seat airbag'*).
- 1.7 Remove rear (inner) door sill trim at the right (⇒ *Figure 3*, ⇒ *Workshop Manual '680519 Removing and installing rear inner door sill trim'*).

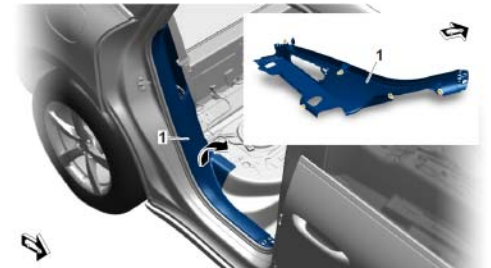


Figure 3

1.8 Unclip rear (inner) door sill trim at the left in the front area from the body (⇒ *Figure 4 -arrow a-*).

- 1 – (Inner) door sill trim, rear left
- 2 – Carpet
- 3 – Cable duct

Lift carpet in front of the rear seat (⇒ *Figure 4 -b-*) and expose cable duct (⇒ *Figure 4*).

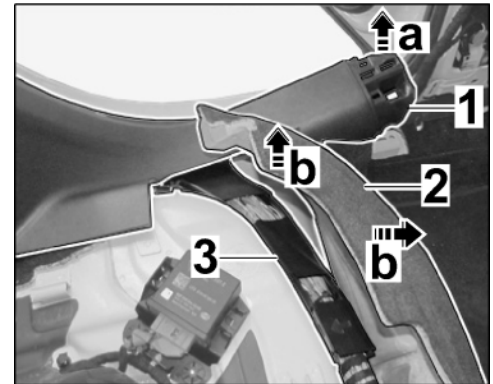


Figure 4

2 Installing electric wire harness

2.1 Secure electric wire harness (end of line without pin connector socket) to auxiliary line.



Information

Removing the pin connector socket makes it easier to guide the wire harness through the cable duct.

2.2 Press out pin contact of YE/GY line at the shorter end of the wire harness.

- 1 – Secondary lock
- 2 – YE/GY line

2.2.1 Insert a screwdriver in between the secondary lock and pin connector socket (⇒ *Figure 5 -oben, Pfeil-*) and open the secondary lock (⇒ *Figure 5 -a-*).

2.2.2 Release pin contact using press-out tool (⇒ *Figure 5 -b-*) and pull out YE/GY line (⇒ *Figure 5 -c-*).

2.2.3 To protect the pin contact, secure the YE/GY line that you pressed out to the wire harness using wrapping tape.

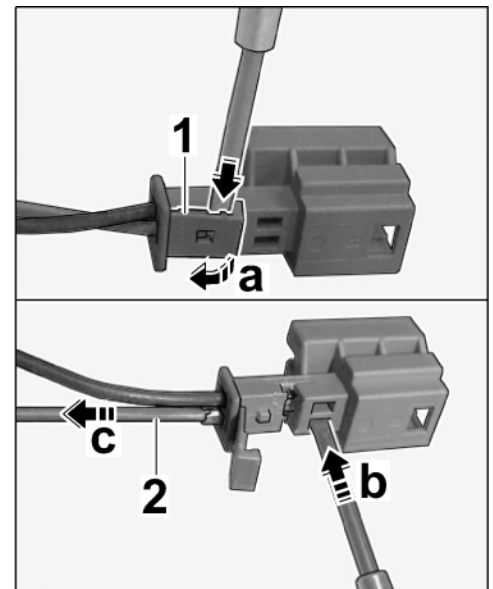


Figure 5

- 2.3 Route electric wire harness as follows (⇒ *Figure 6*):
 Left A-pillar → main wire harness in passenger compartment at the left → cable duct in front of rear seat → main wire harness in passenger compartment at the right → left A-pillar → wire harness in luggage compartment at the right → rear-end electronics control unit

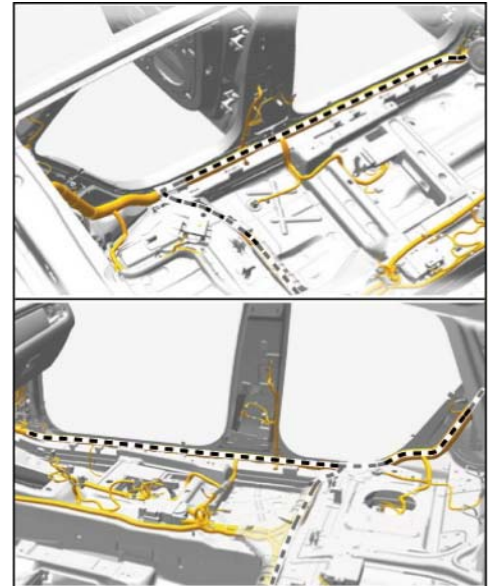


Figure 6

- 2.3.1 Push pin connector socket onto the top guide (⇒ *Figure 7 -inset-*) at the connection point holder (⇒ *Figure 7 -arrow-*).

- 1 – Pin connector socket
- 2 – Connection point holder
- 3 – Guide, top
- 4 – Ground pin 21

Secure cable ring eyelet to ground pin 21 (⇒ *Figure 7*).

**Tightening torque 9 Nm
(6.5 ftlb.)**

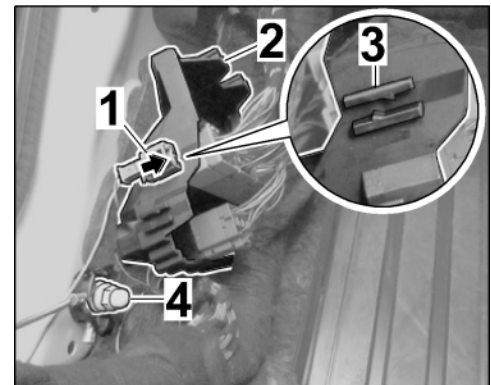


Figure 7

- 2.3.2 Open rear left cable duct (⇒ *Figure 8 -arrow-*).

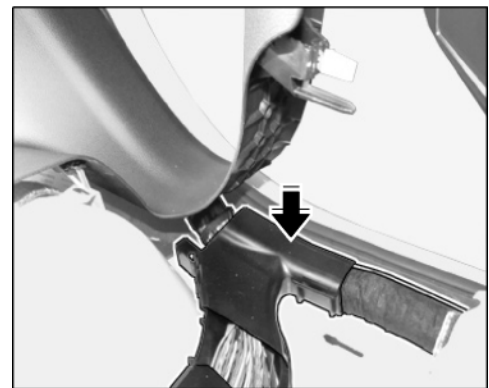


Figure 8

2.3.3 Route electric wire harness along the main wire harness in the passenger compartment at the left through the cable duct in front of the rear seat to the right-hand side of the vehicle (⇒ *Figure 9*).

- 1 - Wire harness
- 2 - Main wire harness in passenger compartment
- 3 - Cable duct

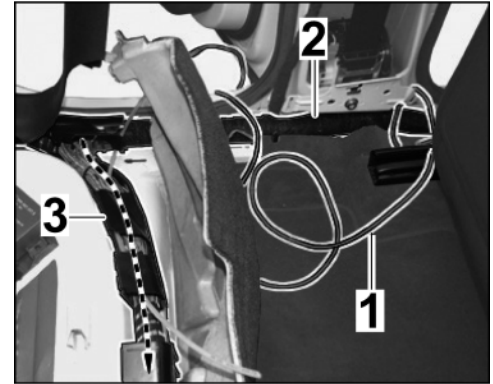


Figure 9

2.3.4 Close rear left cable duct (⇒ *Figure 10*-arrow-).

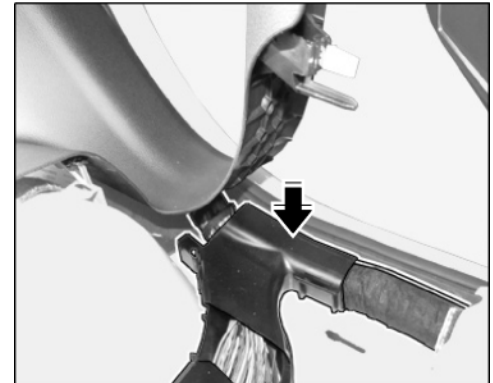


Figure 10

2.3.5 Route electric wire harness (YE/GY line) along the main wire harness in the passenger compartment to the right A-pillar (⇒ *Figure 11*).

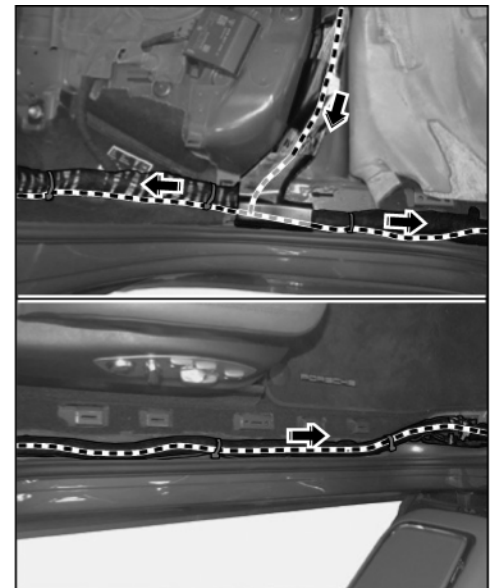


Figure 11

- 2.3.6 Insert pin contact of YE/GY line into pin connector socket (⇒ *Figure 12 -a-*).

- 1 – Pin contact of YE/GY line
2 – Secondary lock

Close secondary lock (⇒ *Figure 12 -b-*).

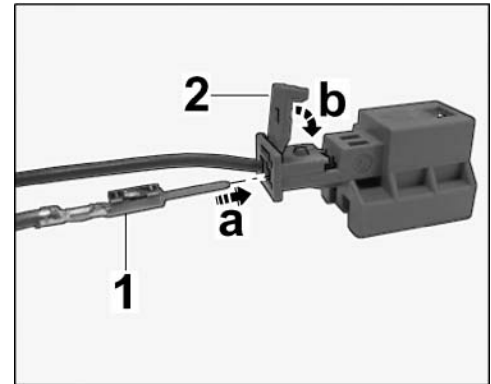


Figure 12

- 2.3.7 Push pin connector socket onto the top guide at the connection point holder (⇒ *Figure 13*).

- 1 – Pin connector socket
2 – Guide, top
3 – Ground pin 22

Secure cable ring eyelet to ground pin 22 (⇒ *Figure 13-3-*).

**Tightening torque 9 Nm
(6.5 ftlb.)**

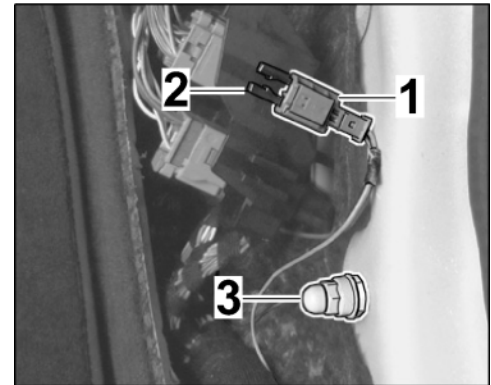


Figure 13

- 2.3.8 Route YE/GY line along the wire harness in the luggage compartment at the right to the rear-end electronics control unit (⇒ *Figure 14*).

- 1 – YE/GY line
2 – Control unit for rear-end electronics

- 2.4 Connect YE/GY line to the rear-end electronics control unit.

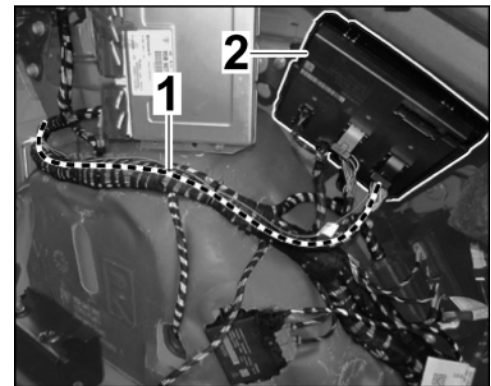


Figure 14

2.4.1 Disconnect electric plug connection on the rear-end electronics control unit (⇒ *Figure 15*, ⇒ *Workshop Manual '578919 Removing and installing control unit for rear-end electronics'*).

- 1 - Plug connection

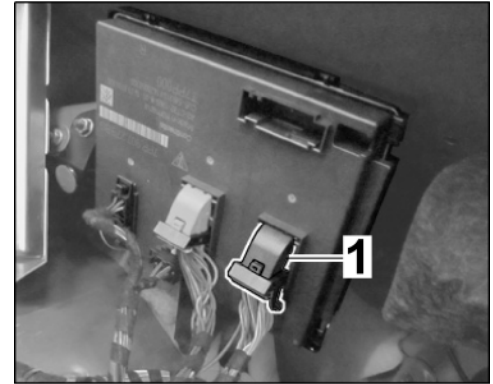


Figure 15

2.4.2 Open the locking mechanism (⇒ *Figure 16 -arrow-*) and push the grey plug socket out of the black plug carrier (⇒ *Figure 16*).

- 1 - Plug socket (grey)
- 2 - Plug carrier (black)

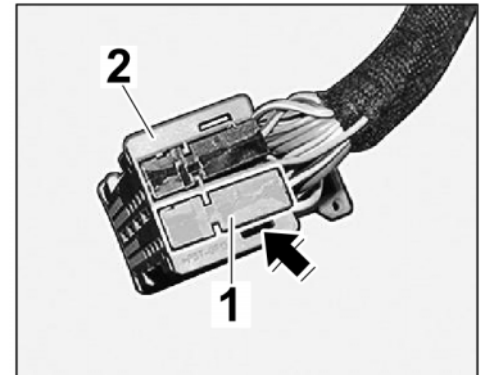


Figure 16



Information

Ensure socket contact is seated securely.

2.4.3 Insert socket contact into chamber 8 of the grey plug socket (⇒ *Figure 17 -arrow-*).

2.4.4 Slide grey plug socket into the plug carrier until the locking mechanism engages.

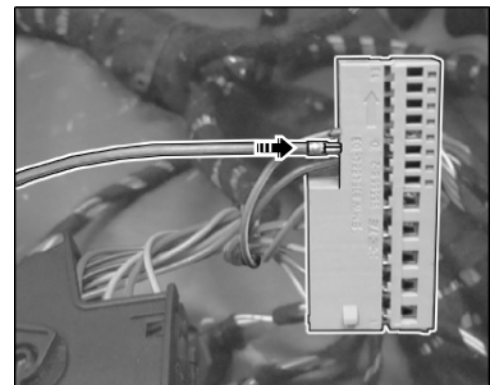


Figure 17

- 2.4.5 Connect electric plug connection to the rear-end electronics control unit (⇒ *Figure 18*, ⇒ *Workshop Manual '578919 Removing and installing control unit for rear-end electronics'*).

- 1** – Plug connection for rear-end electronics control unit

- 2.5 Secure electric wire harness to the standard wire harness with a tie-wrap.

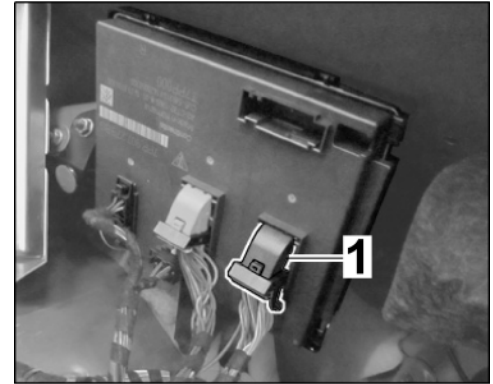


Figure 18



Information

Some of the repair illustrations show only one side of the vehicle. Naturally, some steps also have to be performed on the opposite side of the vehicle as well. These must be carried out as a mirror image of the steps shown.

- 3 Install illuminated door entry guard in (inner) door sill trim

- 3.1 Remove standard door entry guard.

- 3.1.1 Bend up tabs (⇒ *Figure 19* -**arrow**-).

- 1** – Tab on door entry guard

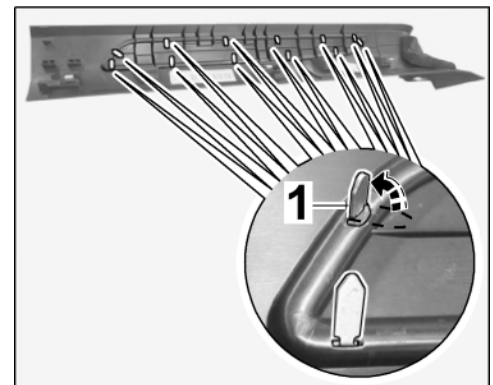


Figure 19

3.1.2 Carefully lever off the standard door entry guard from the (inner) door sill trim using a POM (plastic) wedge (⇒ *Figure 20*).

- 1 – POM wedge
- 2 – Door entry guard (standard)
- 3 – (Inner) door sill trim

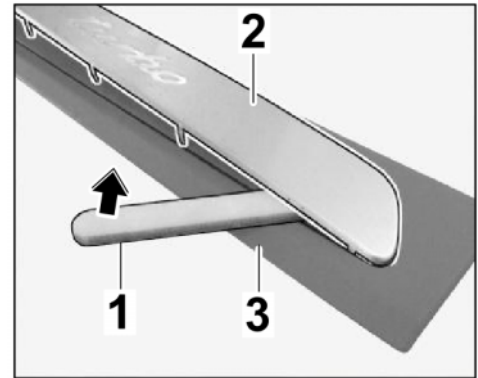


Figure 20

3.2 Drill cable hole (Ø = 18 mm / 0.71 in) in the (inner) door sill trim (⇒ *Figure 21*).

- x – 426 mm / 16.77 in
- y – 40 mm / 1.57 in
- d – Ø 18 mm / 0.71 in
- s – Point of intersection

3.2.1 Mark point of intersection (⇒ *Figure 21-S*) of dimensions x and y on the inner door sill trim.

3.2.2 Drill a hole with a diameter of 18 mm / 0.71 in at this point.

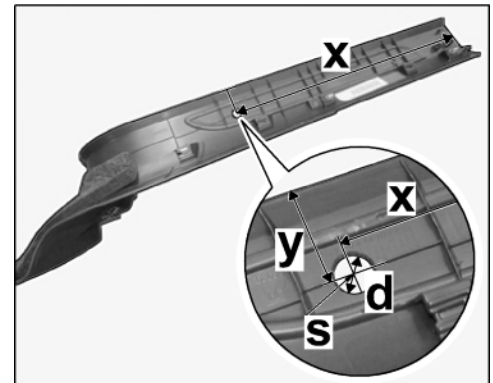


Figure 21

3.3 Install illuminated door entry guard in (inner) door sill trim.

3.3.1 Pull protective film off the door entry guard (⇒ *Figure 22*).

- 1 – Line (flat conductor path)
- 2 – Protective film
- 3 – Tab

Guide connector and line (flat conductor path) through the bore hole.



Information

When installing the door entry guard, make sure that the sharp-edged tabs do not damaged the surface of the door sill trim.

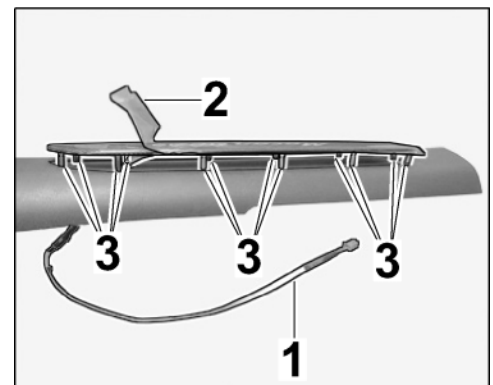


Figure 22

Position illuminated door entry guard over the (inner) door sill trim.
Carefully guide tabs on the illuminated door entry guard into the mounting points on the (inner) door sill trim (⇒ *Figure 22*).

- 3.3.2 Press illuminated door entry guard and (inner) door sill trim together and bend over the tabs (⇒ *Figure 23*).

1 – Tab

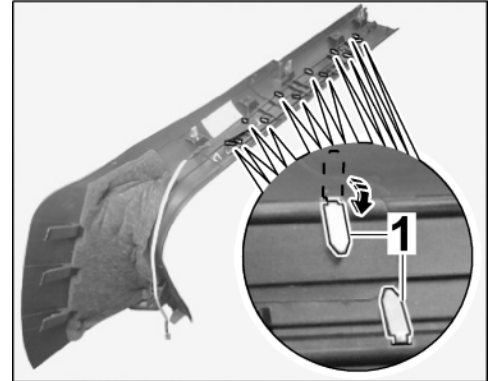


Figure 23

- 3.3.3 Clean the bonding areas for the flat conductor path (⇒ *Figure 24* -shaded area-) on the underside of the (inner) door sill trim using isopropanol to remove any grease and dust.

1 – Protective film

2 – Flat conductor path

Pull protective film off the flat conductor path (⇒ *Figure 24*).

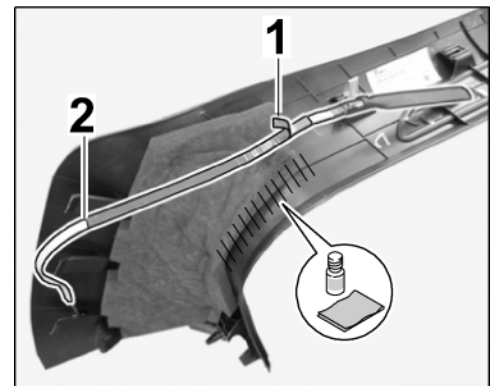


Figure 24

- 3.3.4 Lift up insulating material and affix flat conductor path to the (inner) door sill trim (⇒ *Figure 25*).

1 – Flat conductor path

2 – Insulating material

- 4 **ONLY** for "carbon-fiber composite" door entry guards:
Install trims for carbon-fiber composite lock carriers

4.1 Disassemble cover on rear lock carrier

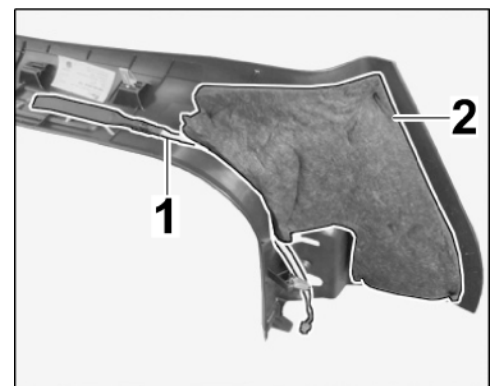


Figure 25

4.1.1 Remove insulating material from lock carrier cover (⇒ *Figure 26*).

- 1 – Insulating material
- 2 – Cover on lock carrier

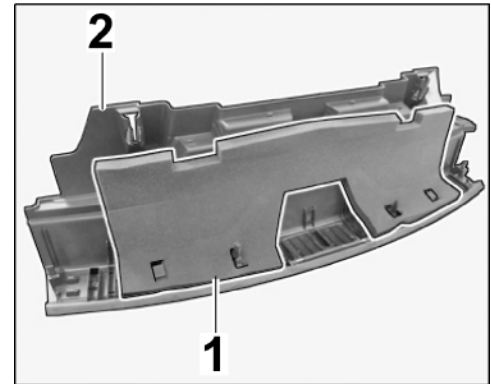


Figure 26

4.1.2 Insert a POM (plastic) wedge between the trim and lock carrier cover and lever off the trim (⇒ *Figure 27*).

- 1 – Cover
- 2 – Cover on lock carrier

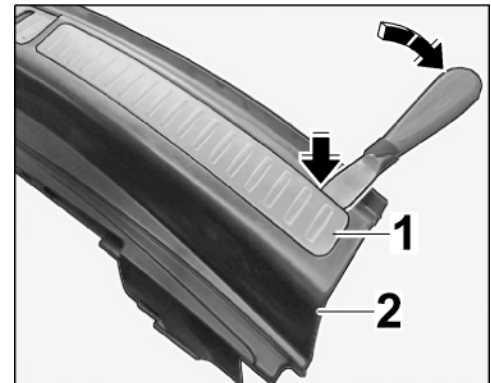


Figure 27

4.2 Install new carbon-fiber composite trim in lock carrier cover (⇒ *Figure 28*).

- 1 – Carbon-fiber composite trim
- 2 – Cover on lock carrier
- 3 – Guide pin

4.2.1 Remove protective film on both sides.

4.2.2 First move the guide pin at the right into the bore hole (⇒ *Figure 28* -**arrow a**-) and then position the trim in the slot.

4.2.3 Press the trim and lock support cover together firmly.

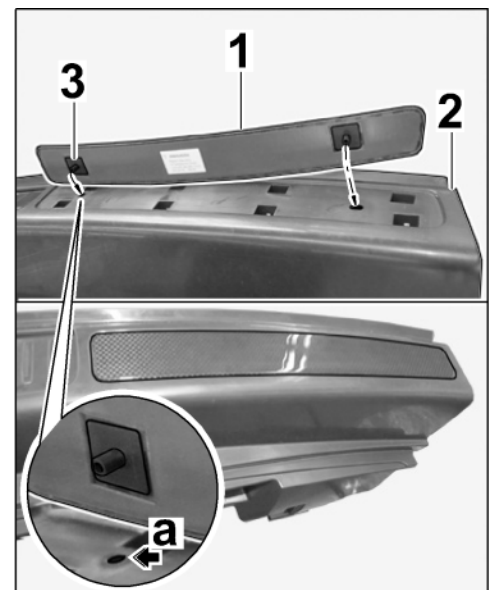


Figure 28

5 Concluding work

- 5.1 Re-fit carpet in front of the rear seat (⇒ *Figure 29*).
- 1 – (Inner) door sill trim
 - 2 – Carpet

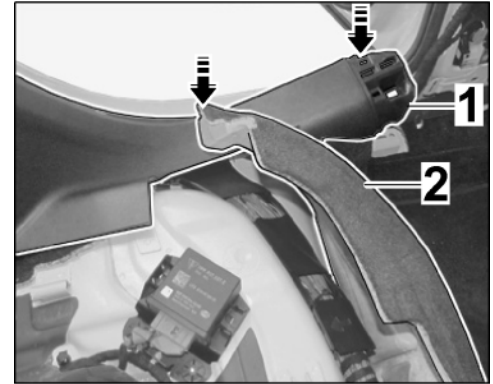


Figure 29

- 5.2 Clip rear (inner) door sill trim at the left in the front area into the body (⇒ *Figure 29*).

- 5.3 Install rear (inner) door sill trim at the right (⇒ *Workshop Manual '680519 Removing and installing rear inner door sill trim*).

- 5.4 **ONLY** for vehicles with rear seat airbag:

- 5.4.1 Install rear right seat airbag (⇒ *Workshop Manual '696419 Removing and installing rear seat airbag*).



Figure 30

- 5.4.2 Connect the battery (⇒ *Workshop Manual '270619 Removing and installing battery*).

- 5.5 Install side trim panel for rear luggage compartment at the right (⇒ *Workshop Manual '700319 Removing and installing side trim panel for rear luggage compartment*).

- 5.6 Install cover for rear lock carrier (⇒ *Workshop Manual '703919 Removing and installing cover for rear lock carrier*).

- 5.7 Install rear seat assembly

- 5.7.1 Install rear right backrest (⇒ *Workshop Manual '724719 Removing and installing rear backrest*).

- 5.7.2 Install rear seat (⇒ *Workshop Manual '724819 Removing and installing rear seat*).

- 5.8 Install B-pillar trim panel

- 5.8.1 Install lower part of B-pillar trim panel at the left and right (⇒ *Workshop Manual '706719 Removing and installing lower part of B-pillar trim panel*).

- 5.8.2 Install upper part of B-pillar trim panel at the left and right (⇒ *Workshop Manual '706719 Removing and installing upper part of B-pillar trim panel*).

- 5.9 Install front inner door sill trims at the left and right (⇒ *Workshop Manual '680519 Removing and installing inner door sill trim*).



Information

Lines can be interchanged during installation!

5.9.1 Check that YE/GN line (wire harness) and RD line (door sill trim) are inserted in the same chamber (socket/connector).

- 1 – YE/GN line (wire harness)
- 2 – RD line (door sill trim)

- A: Replace RD line with BN ground line
- B: Insert lines in the correct chambers

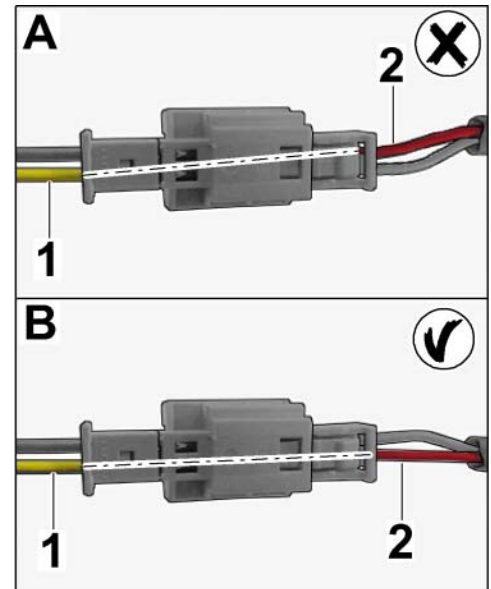


Figure 31

5.9.2 Connect plug connection ⇒ *Figure 32 -arrow-*.

5.9.3 Carry out the remaining tasks for installing inner door sill trims (⇒ *Workshop Manual '680519 Removing and installing inner door sill trim*).

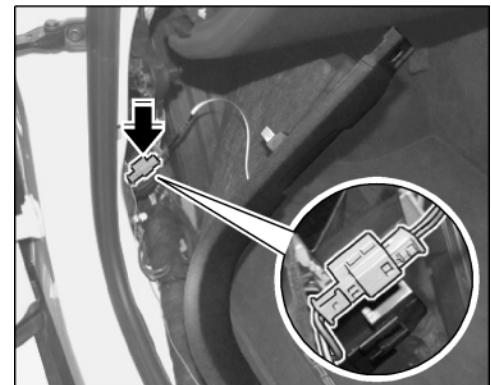


Figure 32

NOTICE

Voltage drop

- Risk of irreparable damage to control unit
- Risk of damage to control unit
- Fault entries in the control unit
- Coding in the control unit is aborted

- Malfunctions in control unit, even during programming
- ⇒ Prior to disconnecting the control unit, switch off the ignition and remove the ignition key.
- ⇒ Ensure that the power supply is not interrupted during programming.
- ⇒ Connect battery charger/power supply suitable for AGM Type batteries, recommended current rating of 90A fixed voltage 13.5V to 14.5V, tool number VAS 5908.



Information

The **P90999 - PIWIS Tester 4** instructions take precedence since the description may be different with later Tester releases.

The procedure described here has been structured in general terms; different text or additions may appear on the **P90999 - PIWIS Tester 4**.

- 6 Code illuminated door entry guards
 - 6.1 Connect battery charger (⇒ *Workshop Manual '2X00IN Battery trickle charging*).
 - 6.2 **90999 - PIWIS Tester 4** must be connected before switching on the ignition.
 - 6.3 Select the required vehicle type. PIWIS Tester Diagnostics starts.
 - 6.4 Maintenance of vehicle data
 - 6.4.1 Select Additional menu by pressing •F7" . Press •F11" to confirm the question "Create vehicle analysis log (VAL)?".
 - 6.4.2 Select the "Maintenance of vehicle data" function. Press •F12" until "PR numbers" appears in the Value group column.
 - 6.4.3 Select "Door entry guards" in the Family column.
 - 6.4.4 Open the drop-down menu in the "Value" column and select "7M7 – Door entry guard in stainless steel, illuminated" or "7M8 – Door entry guard in carbon, illuminated". Press •F12" to continue.
 - 6.4.5 A table containing the values to be changed is displayed.
Save the values by pressing •F8" .
Wait until "Generation of vehicle data is complete....." appears.
 - 6.4.6 Press •F12" to switch to Report management. Open the log by pressing •F10" and check that the vehicle equipment "Door entry guard in stainless steel, illuminated - 7M7" or "Door entry guard in carbon, illuminated - 7M8" is displayed.
Close the log.
 - 6.5 Adapt coding.
 - 6.5.1 Switch to the "Overview" menu.

Press •F11" to return to the list of control units.

Select all control units by pressing •Ctrl A" . Press •F12" to continue.

6.5.2 Switch to the "Codings/adaptations" menu. Press •F12" to continue.

Select "Automatic coding" mode. Press •F12" to continue.

6.5.3 Wait until the message "Coding has been completed successfully" appears. Press •F12" to continue.

6.6 Read out the fault memories of all systems, work through any existing faults and erase the fault memories. ⇒ *Workshop Manual '0335IN Diagnostic maintenance: diagnostic system and maintenance inter...'*

6.7 Disconnect the **PIWIS Tester 4** and battery charger. ⇒ *Workshop Manual '2X00IN Battery trickle charging'*

6.8 Carry out a function test.

68 07 23 40: –Illuminated "aluminium" door entry guard installed– Labor time: **290 TU**
Includes: Installing electric wire harness, removing and installing cover strips near door (front, 2 ea.).

68 07 23 45: –Illuminated "carbon" door entry guard installed– Labor time: **340 TU**
Includes: Installing electric wire harness, removing and installing cover strips near door (front, 2 ea.), replacing trim strips on lock carrier cover (rear, 2 ea.).

Important Notice: Technical Bulletins issued by Porsche Cars North America, Inc. are intended only for use by professional automotive technicians who have attended Porsche service training courses. They are written to inform those technicians of conditions that may occur on some Porsche vehicles, or to provide information that could assist in the proper servicing of a vehicle. Porsche special tools may be necessary in order to perform certain operations identified in these bulletins. Use of tools and procedures other than those Porsche recommends in these bulletins may be detrimental to the safe operation of your vehicle, and may endanger the people working on it. Properly trained Porsche technicians have the equipment, tools, safety instructions, and know-how to do the job properly and safely. Part numbers listed in these bulletins are for reference only. The work procedures updated electronically in the Porsche PIWIS diagnostic and testing device take precedence and, in the event of a discrepancy, the work procedures in the PIWIS Tester are the ones that must be followed.

© 2023 Porsche Cars North America, Inc.